



# VIVA

Price and Specification Guide | 1 April 2019 | Model Year 2019.5

VX\_VIVA\_23986



**VAUXHALL**  
British Brand since 1903



# CONTENTS

---

## RANGE HIGHLIGHTS

Explore the VIVA range and find your perfect model.

## MODELS

Find all the information you need about your chosen model.

## PRICES

Find on-the-road recommended retail prices.

## FEATURES/OPTIONS

Tailor your chosen model to suit your needs with everything from satellite navigation to parking sensors.

## EXTERIOR COLOURS

Add some sparkle to your car with a metallic paint.

## PERFORMANCE, FUEL ECONOMY AND EMISSIONS

Know how many miles you will get around town, the CO<sub>2</sub> figures and the 0–60 time.

## DIMENSIONS

Ensure your car will fit in the garage and know how much luggage you can take for a long weekend away.

## SPECIFICATIONS

Towing weights, engine details and other useful details you may need to know.

## ACCESSORIES

Add some practical touches to your car with our range of quality accessories.

## COMPANY CAR INFORMATION

Benefit in Kind company car tax, 3 day test drives and P11D.

## FURTHER INFORMATION

Insurance groups, vehicle excise duty, our range of additional products and much more.



# VIVA RANGE HIGHLIGHTS



VX\_VIVA\_29072



VX\_VIVA\_27840

## SE OTR from £10,485

### Standard features include:

#### Safety:

- Anti-lock Braking System (ABS)
- Electronic Stability Programme (ESP)
- Six airbags
- ISOFIX child seat restraint system for outer rear seats
- Perimeter alarm system

#### Interior features:

- Power-assisted steering with City Mode
- Electrically operated front windows
- Electrically adjustable/heated door mirrors
- Multi-function trip computer
- Remote control central deadlocking
- Stereo radio and USB audio connection
- Bluetooth® connectivity
- Steering wheel mounted audio controls
- Tiltable steering column
- Driver's seat height adjuster
- 60/40 split-folding rear seat back and seat base

#### Exterior features:

- Daytime running lights
- Front fog lights
- Emergency tyre inflation kit
- 15-inch structure wheels

## ROCKS OTR from £12,245

### Features over SE:

#### Interior features:

- Air conditioning

#### Exterior features:

- Raised ground clearance
- Anthracite rear bumper, side sills and wheel arch mouldings
- Chrome-effect side sills and front and rear bumper inserts
- Silver-effect roof rails
- 15-inch bi-colour alloy wheels

## KEY OPTIONS Total inc. VAT

|                               |           |
|-------------------------------|-----------|
| <b>Looking good:</b>          |           |
| Brilliant paint               | £285      |
| Metallic / pearlescent paint  | £565      |
| <b>Winter warming:</b>        |           |
| Winter Pack                   | from £160 |
| <b>Driving assistance:</b>    |           |
| Satellite Navigation systems  | £985      |
| <b>Practicality:</b>          |           |
| Rear parking distance sensors | £285      |
| Full-size steel spare wheel   | £110      |



# SE



VX\_VIVA\_29072



VX\_VIVA\_29161

## SE ON-THE-ROAD PRICES

|        |                   | OTR RRP        | CO <sub>2</sub> (g/km) |
|--------|-------------------|----------------|------------------------|
| Petrol | 1.0i (73PS)       | <b>£10,485</b> | 117                    |
|        | 1.0i (73PS) (a/c) | <b>£10,975</b> | 117                    |

Please note: On-the-road recommended retail prices (RRP) include VAT at 20%, number plates and delivery to Retailer of £700.00 (inc. £116.67 VAT), 12 months' Vehicle Excise Duty and new vehicle first registration fee of £55.00. Excludes fuel and insurance.

a/c = Air conditioning.

## FEATURES

### Infotainment:

- R300 BT radio – for use with media players, USB memory sticks and mobile phones
- AM/FM stereo radio
- USB connection with iPod control
- Bluetooth® music streaming
- Bluetooth® mobile phone portal

### Interior convenience / styling:

- Speed-sensitive power-assisted steering with City Mode
- Electrically operated front windows
- Electrically adjustable/heated door mirrors
- Multi-function trip computer
- Remote control central deadlocking
- Steering wheel mounted audio controls
- Tiltable steering column
- Driver's seat height adjuster
- Height-adjustable front seat head restraints
- 60/40 split-folding rear seat back and seat base
- Removable luggage compartment cover

### Exterior features:

- Daytime running lights
- Front fog lights
- Emergency tyre inflation kit
- 15-inch structure wheels

### Safety:

- Anti-lock Braking System (ABS)
- Electronic Stability Programme (ESP) with traction control
- Driver's and front passenger's airbags
- Front seat side-impact airbags
- Curtain airbags
- Tyre pressure monitoring system
- ISOFIX child seat restraint system for outer rear seats
- Three inertia-reel lap and diagonal rear seatbelts
- Perimeter alarm system
- Electronic engine deadlock immobiliser



# ROCKS



VX\_VIVA\_27840



VX\_VIVA\_29162

## ROCKS ON-THE-ROAD PRICES

|        |             | OTR RRP        | CO <sub>2</sub> (g/km) |
|--------|-------------|----------------|------------------------|
| Petrol | 1.0i (73PS) | <b>£12,245</b> | 118                    |

Please note: On-the-road recommended retail prices (RRP) include VAT at 20%, number plates and delivery to Retailer of £700.00 (inc. £116.67 VAT), 12 months' Vehicle Excise Duty and new vehicle first registration fee of £55.00. Excludes fuel and insurance.

## FEATURES

### Infotainment:

- R300 BT radio – for use with media players, USB memory sticks and mobile phones
- AM/FM stereo radio
- USB connection with iPod control
- Bluetooth® music streaming
- Bluetooth® mobile phone portal

### Interior convenience / styling:

- Air conditioning
- Cruise control
- Speed-sensitive power-assisted steering with City Mode
- Electrically operated front windows
- Electrically adjustable/heated door mirrors
- Multi-function trip computer
- Remote control central deadlocking
- Steering wheel mounted audio controls
- Tiltable steering column
- Driver's seat height adjuster
- Height-adjustable front seat head restraints
- 60/40 split-folding rear seat back and seat base
- Removable luggage compartment cover

### Exterior features:

- Daytime running lights
- Front fog lights
- Raised ground clearance
- Anthracite rear bumper, side sills and wheel arch mouldings
- Chrome-effect side sills and front and rear bumper inserts
- Silver-effect roof rails
- Emergency tyre inflation kit
- 15-inch bi-colour alloy wheels

### Safety:

- Anti-lock Braking System (ABS)
- Electronic Stability Programme (ESP) with traction control
- Driver's and front passenger's airbags
- Front seat side-impact airbags
- Curtain airbags
- Tyre pressure monitoring system
- ISOFIX child seat restraint system for outer rear seats
- Three inertia-reel lap and diagonal rear seatbelts
- Perimeter alarm system
- Electronic engine deadlock immobiliser



# VIVA PRICES

|                          | Fuel Type | Price (£) | VAT (£)  | Total (£) | On-the-road RRP (£) | BiK 20% (£) | CO <sub>2</sub> (g/km) |
|--------------------------|-----------|-----------|----------|-----------|---------------------|-------------|------------------------|
| <b>SE</b>                |           |           |          |           |                     |             |                        |
| <b>1.0i (73PS)</b>       | Petrol    | 7,966.67  | 1,593.33 | 9,560.00  | <b>10,485.00</b>    | 46.17       | 117                    |
| <b>1.0i (73PS) (a/c)</b> | Petrol    | 8,375.00  | 1,675.00 | 10,050.00 | <b>10,975.00</b>    | 48.37       | 117                    |
| <b>ROCKS</b>             |           |           |          |           |                     |             |                        |
| <b>1.0i (73PS)</b>       | Petrol    | 9,433.33  | 1,886.67 | 11,320.00 | <b>12,245.00</b>    | 54.08       | 118                    |

Please note, VIVA model and option availability is restricted as factory orders can no longer be accepted. Please check with your Vauxhall Retailer.

a/c = Air conditioning.

**Please note:** On-the-road recommended retail prices (RRP) include number plates and delivery to retailer of £700.00 (inc. £116.67 VAT), 12 months' Vehicle Excise Duty and new vehicle first registration fee of £55.00. Excludes fuel and insurance. Company Car Benefit in Kind (BiK) rates are monthly based on the standard paint price.



# FEATURES/OPTIONS

## SAFETY

|  | SE | ROCKS | Price (£)<br>exc. VAT | Price (£)<br>inc. VAT |
|--|----|-------|-----------------------|-----------------------|
| <b>Driver / passenger airbags</b><br><ul style="list-style-type: none"> <li>• Driver's airbag • Front passenger's airbag • Two front seat side-impact airbags</li> <li>• Full-size curtain airbags for driver and front and outer rear seat passengers</li> </ul>  | ●  | ●     |                       |                       |
| <b>Seating</b><br><ul style="list-style-type: none"> <li>• Height-adjustable front and rear seat head restraints</li> <li>• Anti-submarining ramps in all seats – Prevents occupants sliding underneath the lap belt during a collision.</li> </ul>  | ●  | ●     |                       |                       |
| <b>Seatbelts</b><br><ul style="list-style-type: none"> <li>• Front inertia-reel lap and diagonal seatbelts • Three inertia-reel lap and diagonal rear seatbelts</li> <li>• Front and rear seatbelt pretensioner system – Pretensioners tighten the seatbelt in the event of an accident limiting forward movement. • Front and rear 'seatbelt unfastened' audible warning and warning light</li> </ul>   | ●  | ●     |                       |                       |
| <b>Child safety</b><br><ul style="list-style-type: none"> <li>• Deactivation switch for front passenger seat's front airbag – Permits the safe use of a child seat in the front passenger seat.</li> <li>• ISOFIX child seat mountings incorporating top tether anchor points located on outer rear seats (does not include child seat) – Allows ISOFIX child safety seats to be securely fixed into the car. The ISOFIX mounting system reduces forward movement in an accident and makes the child seat easier to install.</li> <li>• Child-proof locks on rear doors</li> </ul> | ●  | ●     |                       |                       |
| <b>Pedestrian safety</b><br><ul style="list-style-type: none"> <li>• Bonnet/headlight/wiper structure – Designed to reduce pedestrian head and upper body injuries.</li> <li>• Upper and lower bumper design – Reduces upper and lower leg injuries.</li> </ul>  | ●  | ●     |                       |                       |



# FEATURES/OPTIONS

## SAFETY CONTINUED

|  | SE | ROCKS | Price (£)<br>exc. VAT | Price (£)<br>inc. VAT |
|--|----|-------|-----------------------|-----------------------|
| <p><b>Stability</b></p> <ul style="list-style-type: none"> <li>• Electronic Stability Programme (ESP) – Works in conjunction with the vehicle’s electronic braking and engine systems to keep the car stable in many different situations. ESP monitors many different inputs to determine when the car starts to lose traction, it can then immediately respond by varying the brake pressure between up to three wheels and adjust the engine output to help correct the loss of traction and improve stability.</li> </ul> <p><b>Additional ESP features:</b></p> <ul style="list-style-type: none"> <li>• Traction control • Cornering brake control • Straight line stability control • Rollover mitigation</li> <li>• Drag torque control – Maintain stability on slippery roads when lifting off the accelerator or changing gear.</li> </ul>   | ●  | ●     |                       |                       |
| <p><b>Braking</b></p> <ul style="list-style-type: none"> <li>• Anti-lock Braking System (ABS) – Prevents the vehicle’s wheels from locking up under heavy braking by momentarily reducing brake pressure at the appropriate wheel, ensuring that you can maintain control of the steering.</li> </ul> <p><b>Additional braking features:</b></p> <p>The same electronic systems used in the ABS and ESP also deliver exceptional braking performance.</p> <ul style="list-style-type: none"> <li>• Emergency brake assist – When emergency braking is detected the vehicle automatically applies the maximum possible braking assistance.</li> <li>• Fading brake support – Compensates for the effects of brake fade.</li> <li>• Electronic brakeforce distribution – Automatically apportions the optimum braking force to each wheel.</li> <li>• Adaptive brake lights – Automatically warns other road users of heavy braking.</li> <li>• Hill start assist – Briefly maintains rear brake pressure to stop the vehicle rolling back on an incline.</li> </ul> | ●  | ●     |                       |                       |
| <p><b>Tyre pressure</b></p> <ul style="list-style-type: none"> <li>• Tyre pressure monitoring system</li> </ul>  | ●  | ●     |                       |                       |





# FEATURES/OPTIONS

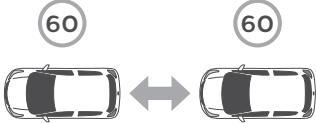
## SECURITY

|   | SE | ROCKS | Price (£)<br>exc. VAT | Price (£)<br>inc. VAT |
|---|----|-------|-----------------------|-----------------------|
| <b>Standard security features</b> <ul style="list-style-type: none"><li>• Electronically protected audio equipment</li><li>• Engine deadlock immobiliser</li><li>• Visible Vehicle Identification Number (VIN)</li><li>• Locking fuel filler flap with interior release</li></ul> | ●  | ●     |                       |                       |
| <b>Perimeter alarm system</b> <ul style="list-style-type: none"><li>• Bonnet, doors, tailgate</li></ul>   | ●  | ●     |                       |                       |
| <b>Remote control central locking</b> <ul style="list-style-type: none"><li>• Doors, tailgate</li><li>• Interior activation switch on driver's door</li><li>• Folding key</li></ul>   | ●  | ●     |                       |                       |



# FEATURES/OPTIONS

## DRIVER ASSISTANCE

|  | SE | ROCKS | Price (£)<br>exc. VAT | Price (£)<br>inc. VAT |
|--|----|-------|-----------------------|-----------------------|
| <b>Power-assisted steering</b> <ul style="list-style-type: none"> <li>Electrically assisted steering</li> <li>Switchable 'City Mode' additional steering assistance                             <ul style="list-style-type: none"> <li>City Mode reduces steering effort for easy manoeuvring in city traffic and when parking.</li> </ul> </li> </ul>   | ●  | ●     |                       |                       |
| <b>Cruise control with speed limiter</b> <ul style="list-style-type: none"> <li>Cruise control – Set/keep a constant cruising speed without using the accelerator, ideal comfort for longer distance driving.</li> <li>Speed limiter function – Can be set to ensure that you do not exceed the speed limit.</li> <li>Steering wheel mounted controls</li> </ul>  |    | ●     |                       |                       |
| <b>Shift-up/down indication light</b><br>Indicates when to change gear for optimum fuel economy.   | ●  | ●     |                       |                       |
| <b>Hill start assist</b><br>Briefly maintains rear brake pressure to stop the vehicle rolling back on an incline.  | ●  | ●     |                       |                       |
| <b>Rear parking distance sensors</b>   | ○  | ○     | 237.50                | 285.00                |



# FEATURES/OPTIONS

## CONVENIENCE

|   | SE | ROCKS | Price (£)<br>exc. VAT | Price (£)<br>inc. VAT |
|---|----|-------|-----------------------|-----------------------|
| <b>Electrically operated front windows</b>  | ●  | ●     |                       |                       |
| <b>Twin electrically adjustable/heated door mirrors</b><br>• Wide-angle mirror on driver's side • Automatic heater cut-off • Manual folding | ●  | ●     |                       |                       |



# FEATURES/OPTIONS

## DRIVER INFORMATION

|   | SE | ROCKS | Price (£)<br>exc. VAT | Price (£)<br>inc. VAT |
|---|----|-------|-----------------------|-----------------------|
| <b>Instrumentation</b><br>• Speedometer • Rev counter • Digital fuel gauge with low fuel level warning light • Digital water temperature gauge with warning light   | ●  | ●     |                       |                       |
| <b>Driver information display</b><br>• Monochrome display • Displays trip computer data • Total mileage • Service-due indicator • Oil life • Tyre pressure monitoring system<br>• Centrally located in instrument cluster | ●  | ●     |                       |                       |
| <b>Multi-function trip computer</b><br>• Trip mileage • Vehicle range based on remaining fuel • Average speed • Average fuel economy • Instantaneous fuel economy • Driving time  | ●  | ●     |                       |                       |
| <b>Multi-function central display (format dependent on infotainment unit)</b><br>• Audio information • Digital clock with automatic RDS time adjustment • Outside air temperature   | ●  | ●     |                       |                       |



# FEATURES/OPTIONS

## INTERIOR STYLING

|  | SE | ROCKS | Price (£)<br>exc. VAT | Price (£)<br>inc. VAT |
|--|----|-------|-----------------------|-----------------------|
| <b>SE interior décor</b><br><b>Steering wheel:</b><br>• Three-spoke design • Chrome-effect trim insert<br><b>Facia and door trim:</b><br>• Jet black facia • Jet black door panels • Black interior door handles<br><b>Seat trim:</b><br>• Bada Jet black fabric seat trim inserts • Plain black fabric side bolsters and surrounds            | ●  |       |                       |                       |
| <b>Rocks interior décor</b><br><b>Steering wheel:</b><br>• Three-spoke design • Chrome-effect trim insert<br><b>Facia and door trim:</b><br>• Jet black facia • Jet black door panels • Chrome-effect interior door handles<br><b>Seat trim:</b><br>• Bada Jet black fabric seat trim inserts • Plain black fabric side bolsters and surrounds |    | ●     |                       |                       |
| <b>Additional décor features</b><br>• Black gloss surround to outer facia air vents  | ●  | ●     |                       |                       |
| • Chrome-effect inserts to outer facia vents   |    | ●     |                       |                       |
| • Black gloss radio surround – Fitted in conjunction with optional Multimedia system or Navi 4.0 IntelliLink. Not available separately.  | ○  | ○     |                       |                       |
| • Black gloss instrument cluster and gear lever surround   | ●  | ●     |                       |                       |
| • Chrome-effect door sill covers   |    | ●     |                       |                       |



# FEATURES/OPTIONS

## INFOTAINMENT

|  | SE | ROCKS | Price (£)<br>exc. VAT | Price (£)<br>inc. VAT |
|--|----|-------|-----------------------|-----------------------|
| <p><b>R300 BT radio – for use with media players, USB memory sticks and mobile phones</b></p> <p><b>Onboard features:</b></p> <ul style="list-style-type: none"> <li>• AM/FM stereo radio with 24 station presets • RDS with Traffic Programme • 25 watts per channel output</li> </ul> <p><b>Media connections:</b></p> <ul style="list-style-type: none"> <li>• USB connection with iPod control • Bluetooth® music streaming – Advanced Audio Distribution Profile (A2DP).</li> </ul> <p><b>Mobile phone portal:</b></p> <ul style="list-style-type: none"> <li>• Bluetooth® connectivity • Handsfree calls via steering wheel controls • Vehicle microphone</li> <li>• Phone book access – Features dependent on mobile phone.</li> </ul>  | ●  | ●     |                       |                       |
| <p><b>Navi 4.0 IntelliLink touchscreen navigation and infotainment system – for use with media players, USB memory sticks, mobile phones and smartphone apps</b></p> <p><b>Onboard features:</b></p> <ul style="list-style-type: none"> <li>• 7-inch colour touchscreen • DAB digital radio/AM/FM stereo radio with 36 station presets • RDS with Traffic Programme</li> </ul> <p><b>Navigation features:</b></p> <ul style="list-style-type: none"> <li>• Satellite navigation system • 2D street level mapping • European coverage • Structured or one-box destination entry</li> <li>• Points-of-interest search • Eco routing • Map updates via USB</li> </ul> <p><b>Media connections:</b></p> <ul style="list-style-type: none"> <li>• USB connection with iPod control • Bluetooth® music streaming – Advanced Audio Distribution Profile (A2DP).</li> </ul> <p><b>Mobile phone portal:</b></p> <ul style="list-style-type: none"> <li>• Bluetooth® connectivity • Handsfree calls via steering wheel controls • Vehicle microphone</li> <li>• Phone book access – The majority of the phone's functions – contacts/last calls/missed calls etc. – are mirrored on display and are easily navigated using the touchscreen (features dependent on mobile phone).</li> </ul> <p><b>Phone projection:</b></p> <ul style="list-style-type: none"> <li>• Android Auto™</li> <li>• Apple CarPlay™ incorporating Siri Eyes Free – Siri Eyes Free and Android Auto enable voice control of many functions of your smartphone:</li> <li>• Make/receive calls • Return missed calls • Listen to voicemail • Send/read out/reply to text messages • Access music library</li> </ul> <p><b>Gallery:</b></p> <ul style="list-style-type: none"> <li>• Only available when vehicle is stationary</li> <li>• Photo gallery with slide show feature • Video playback with soundtrack played through car speakers</li> </ul> | ○  | ○     | 820.83                | 985.00                |
| <p><b>Four speakers</b></p>  | ●  | ●     |                       |                       |
| <p><b>Steering wheel controls</b></p> <ul style="list-style-type: none"> <li>• Audio controls • Bluetooth® mobile phone controls</li> </ul>  | ●  | ●     |                       |                       |



# FEATURES/OPTIONS

## INTERIOR COMFORT

|   | SE | ROCKS | Price (£)<br>exc. VAT | Price (£)<br>inc. VAT |
|---|----|-------|-----------------------|-----------------------|
| <p><b>Driver comfort</b></p> <p><b>Driver's seat (six-way adjustable):</b></p> <ul style="list-style-type: none"> <li>• Reach (fore/aft) • Backrest recline (upright/incline) • Driver's seat height adjuster • Head restraint (up/down)</li> </ul> <p><b>Steering adjustment:</b></p> <ul style="list-style-type: none"> <li>• Steering column adjustable for rake</li> </ul>  | ●  | ●     |                       |                       |
| <p><b>Passenger comfort</b></p> <p><b>Front passenger's seat (six-way adjustable):</b></p> <ul style="list-style-type: none"> <li>• Reach (fore/aft) • Backrest recline (upright/incline) • Head restraint (up/down)</li> <li>• Deactivation switch for front passenger seat's front airbag – Permits the safe use of a child seat in the front passenger seat.</li> </ul> <p><b>Rear seat:</b></p> <ul style="list-style-type: none"> <li>• Three person layout • 60/40 split-folding rear seat back and seat base • Three removable head restraints</li> <li>• ISOFIX child seat mountings incorporating top tether anchor points located on outer rear seats (does not include child seat)                             <ul style="list-style-type: none"> <li>– Allows ISOFIX child safety seats to be securely fixed into the car. The ISOFIX mounting system reduces forward movement in an accident and makes the child seat easier to install.</li> </ul> </li> <li>• Child-proof locks on rear doors</li> </ul> | ●  | ●     |                       |                       |



# FEATURES/OPTIONS

## HEATING AND VENTILATION

|   | SE | ROCKS | Price (£)<br>exc. VAT | Price (£)<br>inc. VAT |
|---|----|-------|-----------------------|-----------------------|
| <b>Air blend heater</b><br>• Four-speed fan • Illuminated controls • Interior pollen filter   | ●  |       |                       |                       |
| <b>Air conditioning</b><br>• Air recirculation facility • Cabin particulate filter – Removes dust, airborne particles and pollen. • Four-speed fan • Illuminated controls | ▲  | ●     |                       |                       |
| <b>Additional features</b><br>• Four adjustable facia vents • Windscreen demist vents • Side window demist vents  | ●  | ●     |                       |                       |
| <b>SE Winter Pack</b><br>• Electrically heated front seats • Electrically heated leather-covered steering wheel   | ○  |       | 191.67                | 230.00                |
| <b>ROCKS Winter Pack</b><br>• Electrically heated front seats • Electrically heated leather-covered steering wheel  |    | ○     | 133.33                | 160.00                |





# FEATURES/OPTIONS

## INTERIOR CONVENIENCE, STORAGE AND LIGHTING

|  | SE | ROCKS | Price (£)<br>exc. VAT | Price (£)<br>inc. VAT |
|--|----|-------|-----------------------|-----------------------|
| <b>Convenience features</b>  |    |       |                       |                       |
| • Front 12-volt electrical accessory socket • Twin sunvisors • Dipping rear-view mirror • Two roof-mounted rear coat hooks | ●  | ●     |                       |                       |
| • Front passenger's vanity mirror with flip-up cover and ticket holder   | ●  | ●     |                       |                       |
| <b>Interior storage</b>  |    |       |                       |                       |
| • Glovebox with lid • Open storage above glovebox • Front door pockets   | ●  | ●     |                       |                       |
| • Two drinks holders in front centre console • Single drinks holder in rear passenger centre console                       |    |       |                       |                       |
| <b>Load area</b>   |    |       |                       |                       |
| • Luggage compartment cover • Fully carpeted load area • Interior tailgate handle  | ●  | ●     |                       |                       |
| • Twin gas-assisted tailgate struts • Touch-sensitive exterior tailgate release  |    |       |                       |                       |
| <b>Interior lighting</b>   |    |       |                       |                       |
| • Instrument panel and facia light dimmer  | ●  | ●     |                       |                       |
| • Front courtesy light   | ●  | ●     |                       |                       |



# FEATURES/OPTIONS

## EXTERIOR CONVENIENCE AND LIGHTING

|   | SE | ROCKS | Price (£)<br>exc. VAT | Price (£)<br>inc. VAT |
|---|----|-------|-----------------------|-----------------------|
| <b>Convenience features</b> <ul style="list-style-type: none"><li>• Two-speed windscreen wipers with variable intermittent wipe</li><li>• Heated rear window</li><li>• Intermittent rear window wash/wipe</li><li>• Manually foldable door mirrors</li></ul>                    | ●  | ●     |                       |                       |
| <b>Exterior lighting</b> <ul style="list-style-type: none"><li>• Daytime running lights</li><li>• Halogen headlights</li><li>• Lights-on audible warning</li><li>• Electric headlight beam levelling</li><li>• High-level centre brake light</li><li>• Rear fog light</li></ul> | ●  | ●     |                       |                       |
| <ul style="list-style-type: none"><li>• Front fog lights</li></ul>  |    | ●     |                       |                       |
| <ul style="list-style-type: none"><li>• Front fog lights with cornering light function</li></ul>  | ●  |       |                       |                       |



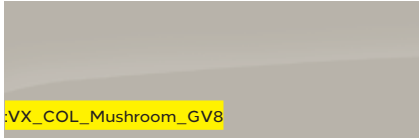
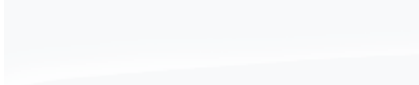

# FEATURES/OPTIONS

## EXTERIOR STYLING

|  | SE | ROCKS | Price (£)<br>exc. VAT | Price (£)<br>inc. VAT |
|--|----|-------|-----------------------|-----------------------|
| <b>SE body styling</b><br>• Chrome-effect front grille bar • Body-colour door handles • Body-colour door mirrors • Body-colour rear roof spoiler   | ●  |       |                       |                       |
| <b>Rocks body styling</b><br>• Chrome-effect front grille bar • Body-colour door handles • Body-colour door mirrors<br>• Body-colour rear roof spoiler • Raised ground clearance • Anthracite bumpers with chrome-effect inserts<br>• Anthracite wheel arches • Anthracite side sills with chrome-effect inserts |    | ●     |                       |                       |
| • Roof rails – silver-effect   |    | ●     |                       |                       |
| <b>Windows</b><br>• Tinted windows   | ●  | ●     |                       |                       |



# EXTERIOR COLOURS

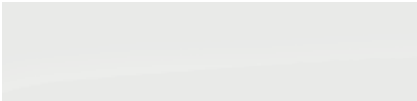

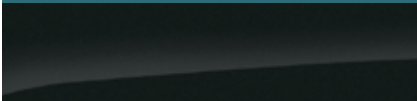


|           |  |                   | SE | ROCKS | Price (£)<br>exc. VAT | Price (£)<br>inc. VAT |
|-----------|--|-------------------|----|-------|-----------------------|-----------------------|
| Two-coat  | <br>VX_COL_Mushroom_GV8           | Mushroom metallic | ●  | ●     |                       |                       |
| Brilliant | <br>VX_COL_SummitWhite_GAZ        | Summit White      | ○  | ○     | 237.50                | 285.00                |
|           | <br>VX_COL:VX_COL_LavaRed_GG2_GG7 | Lava Red          |    |       |                       |                       |

The colours reproduced may vary slightly from the actual paint colour. As a result they should be used as a guide only. Your Vauxhall Retailer has a comprehensive display of our paint samples.

● = Standard equipment. ○ = Optional at extra cost.



# EXTERIOR COLOURS

|          |  |                           | SE | ROCKS | Price (£)<br>exc. VAT | Price (£)<br>inc. VAT |
|----------|--|---------------------------|----|-------|-----------------------|-----------------------|
| Two-coat |   | Sovereign Silver metallic |    |       |                       |                       |
|          | VX_COL_SovereignSilver_GAN   |                           |    |       |                       |                       |
|          |   | Petrol Blue metallic      |    |       |                       |                       |
|          | VX_COL_PetrolBlue_GZO  |                           |    |       |                       |                       |
|          |   | Quantum Grey metallic     |    |       |                       |                       |
|          | VX_COL_QuantumGrey_GK2   |                           |    |       |                       |                       |
|          |   | Mineral Black metallic    |    |       |                       |                       |
|          | VX_COL:VX_COL_MineralBlack_GBO_GB9   |                           |    |       |                       |                       |
| Premium  |  | Cherry Red                |    |       |                       |                       |
|          | VX_COL:VX_COL_CherryRed_GHN  |                           |    |       |                       |                       |

The colours reproduced may vary slightly from the actual paint colour. As a result they should be used as a guide only. Your Vauxhall Retailer has a comprehensive display of our paint samples.

O = Optional at extra cost.



# WHEELS AND TYRES

|  | SE | ROCKS | Price (£)<br>exc. VAT | Price (£)<br>inc. VAT |
|--|----|-------|-----------------------|-----------------------|
|  <p><b>15-inch structure wheels</b></p> <ul style="list-style-type: none"> <li>• 185/55 R 15 tyres</li> <li>• Emergency tyre inflation kit (in lieu of spare wheel)</li> </ul> <p>VX_VIVA_22921</p>        | ●  |       |                       |                       |
|  <p><b>15-inch bi-colour alloy wheels</b></p> <ul style="list-style-type: none"> <li>• 185/55 R 15 tyres</li> <li>• Emergency tyre inflation kit (in lieu of spare wheel)</li> </ul> <p>VIVA_27433_5PG</p> |    | ●     |                       |                       |
| <p><b>Full-size steel spare wheel (in lieu of emergency tyre inflation kit)</b></p>  | ○  | ○     | 91.67                 | 110.00                |



# PERFORMANCE, FUEL ECONOMY AND EMISSIONS

|                          | Performance<br>(manufacturer's figures) |                        |                        |                               | Fuel economy<br>mpg (litres/100km)# |                  | CO <sub>2</sub> emissions<br>g/km* | Vehicle<br>Excise Duty** |                  | Benefit in kind<br>company car<br>taxation rates -<br>2018/19<br>tax year |
|--------------------------|---|------------------------|------------------------|-------------------------------|-------------------------------------|------------------|------------------------------------|--------------------------|------------------|---|
|                          | Fuel<br>Type                            | Wheel size<br>(inches) | Maximum speed<br>(mph) | Acceleration<br>0-60mph (sec) | Combined<br>Low                     | Combined<br>High |                                    | First year<br>rate       | Standard<br>rate |   |
| <b>VIVA</b>              |   |                        |                        |                               |                                     |                  |                                    |                          |                  |   |
| <b>1.0i (73PS)</b>       | Petrol                                  | 15                     | 106                    | 13.1                          | 45.6 (6.2)                          | 46.3 (6.1)       | 117                                | £170                     | £145             | 27%   |
| <b>1.0i (73PS) ROCKS</b> | Petrol                                  | 15                     | 106                    | 13.1                          | 45.6 (6.2)                          | 46.3 (6.1)       | 118                                | £170                     | £145             | 27%   |

#Fuel consumption figures are determined according to the WLTP test cycle. Full data relating to WLTP test cycles can be found at: [www.vauxhall.co.uk/wltp](http://www.vauxhall.co.uk/wltp)

\*CO<sub>2</sub> emissions figures are determined according to the WLTP test cycle however, a Government formula is then applied to translate these figures back to what they would have been under the outgoing NEDC test cycle, which WLTP replaces. The correct tax treatment is then applied.

Figures are intended for comparability purposes only. The fuel consumption you achieve under real life driving conditions and CO<sub>2</sub> produced will depend upon a number of factors, including the accessories fitted after registration, variations in driving styles, weather conditions and vehicle load. Only compare fuel consumption and CO<sub>2</sub> with other vehicles tested using the same technical procedures. For more information contact your local Vauxhall Retailer.

\*\*Correct at time of publication.



# DIMENSIONS

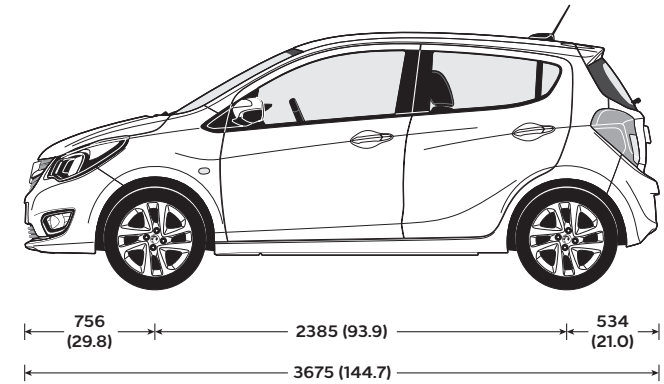
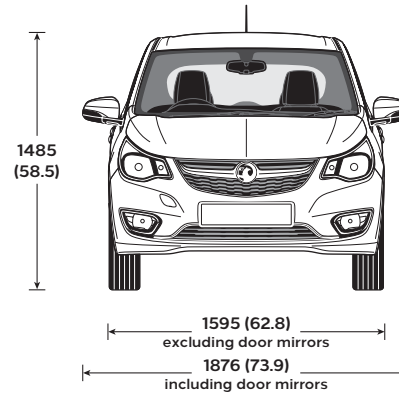
## VIVA

### Loadspace Dimensions millimetres (inches)

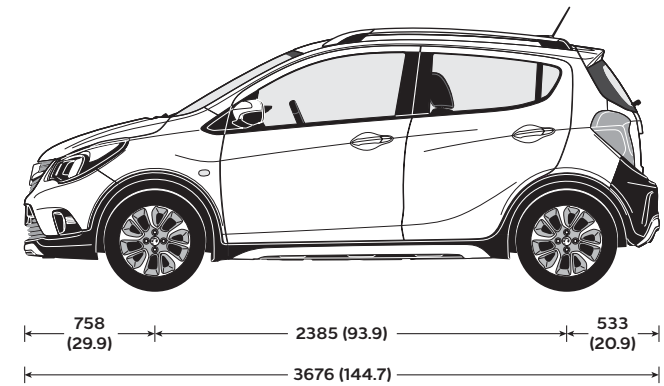
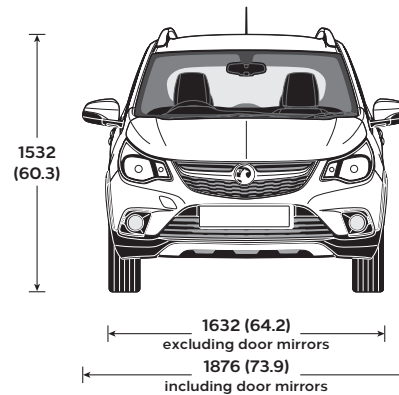
|                                       |             |
|---------------------------------------|-------------|
| Load floor length (rear seats folded) | 1107 (43.6) |
| Load floor length (behind rear seats) | 484 (19.1)  |
| Load area width                       | 960 (37.8)  |
| Load area height                      | 850 (33.5)  |
| Tailgate aperture width (maximum)     | 955 (37.6)  |
| Tailgate aperture height              | 608 (23.9)  |

### Luggage Capacities\* litres (cu.ft.)

|                 |             |
|-----------------|-------------|
| Rear seat up**  | 206 (7.3)   |
| Rear seat down† | 1013 (35.8) |



VIVA



VIVA ROCKS

All measurements are in mm (inches) unless stated otherwise.

\*Measured using the ECIE method.

\*\*Under luggage compartment cover.

†Measured to roof.





# SPECIFICATIONS

## Transmission

- Front-wheel drive
- Five-speed manual gearbox

## Steering

- Speed-sensitive electric power-assisted system
- Switchable City Mode for additional assistance
- Energy-absorbing steering column
- Turning circle (kerb-to-kerb): 10.4m (34.1ft.)

## Suspension

Front: Independent. MacPherson struts with gas-pressure dampers and linear-rate coil springs. Anti-roll bar.

Rear: Torsion beam with gas-pressure dampers and linear-rate coil springs.

## Brakes

- Anti-lock Braking System (ABS) – Four-channel
- Electronic brakeforce distribution
- Electronic Stability Programme
- Switchable traction control
- Dual circuit, diagonally split, servo-assisted system
- Asbestos-free friction material
- Corrosion-protected brake pipes

## All models

- Front ventilated discs: 236mm diameter
- Rear drums: 200mm diameter

## Body

- Aerodynamic drag co-efficient: Cd 0.331

## Fuel Tank Capacity

- 32 litres (7.0 gallons)

## Electrics

- Battery: 50Ah
- Alternator: 80A

## Weights kg

|             | Gross Vehicle Weight (GVW) |
|-------------|----------------------------|
| 1.0i (73PS) | 1353                       |

Gross vehicle weight is the total permissible weight of the vehicle including passengers and their luggage. Rocks models are the only VIVA models approved for carrying a roof load. The roof load should not exceed 50kg including the weight of the roof rack/carrier.



# PETROL ENGINE

|                       |   |
|-----------------------|---|
| Engine                | <b>1.0i (73PS)</b>  |
| Capacity              | 999cc   |
| Maximum power         | 73PS (54kW) @ 6500rpm   |
| Maximum torque        | 95Nm (70 lb.ft.) @ 4500rpm  |
| Configuration         | 3 cylinders, 4 valves per cylinder,<br>double overhead camshafts                                    |
| Fuel/induction system | Naturally aspirated with Variable Valve Timing.<br>Multi-point sequential electronic fuel injection |
| Emission compliance   | Euro 6d-TEMP (6.2)  |
| Service interval      | 20,000 miles or 1 year (whichever occurs sooner)  |



# ACCESSORIES

| CHILD SEATS <sup>1</sup>                             | Total (inc. VAT) | PRACTICAL                       | Total (inc. VAT) | STYLING                              | Total (inc. VAT) |
|--|------------------|---------------------------------|------------------|--------------------------------------|------------------|
| BABY-SAFE <sup>2</sup> – 0–13kg/birth to 15 months   | £141             | Spare bulb kit                  | £41              | VX-Line stainless steel pedal covers | £67              |
| – ISOFIX base  | £244             | Smoker Pack                     | £38              | Door sill plates                     | £56              |
| DUO ISOFIX <sup>2</sup> – 9–18kg/9 months to 4 years |                  | Centre console organiser        | £17              |                                      |                  |
| with top tether kit                                  | £372             |                                 |                  | <b>WHEELS<sup>3</sup></b>            |                  |
| KID <sup>2</sup> –15–36kg or 4 to 12 years           | £168             | <b>PROTECTION</b>               |                  | 15-inch 8-spoke alloy wheel          | £716             |
|  |                  | Velour floor mats – set of four | £66              | 16-inch 4 double-spoke alloy wheel   | £754             |
| <b>SAFETY</b>  |                  | Carpet floor mats – set of four | £43              |                                      |                  |
| Privacy shades – rear side windows                   | £64              | Cargo liner                     | £59              |                                      |                  |
| Privacy shades – tailgate window                     | £64              | Load area storage box           | £99              |                                      |                  |
| Parking sensors                                      |                  | Load area retaining net         | £84              |                                      |                  |
| – four fully flush front bumper mounted              |                  | Splash Guards                   |                  |                                      |                  |
| sensors  |                  | – Front                         | £66              |                                      |                  |
| – unpainted  | £349             | – Rear                          | £66              |                                      |                  |
| – painted  | £349             | Body side mouldings             | £164             |                                      |                  |
| – four fully flush rear bumper mounted               |                  |                                 |                  |                                      |                  |
| sensors  |                  |                                 |                  |                                      |                  |
| – unpainted  | £349             |                                 |                  |                                      |                  |
| – painted  | £349             |                                 |                  |                                      |                  |
| Safety Pack – first aid kit, hi-visibility vest      |                  |                                 |                  |                                      |                  |
| and small warning triangle                           | £30              |                                 |                  |                                      |                  |
| Warning triangle – Small                             | £12              |                                 |                  |                                      |                  |
| Warning triangle – Large                             | £20              |                                 |                  |                                      |                  |
| First aid kit  | £15              |                                 |                  |                                      |                  |
| Hi-visibility vest                                   | £9               |                                 |                  |                                      |                  |
| Tyre sealant   | £68              |                                 |                  |                                      |                  |
| Tyre inflation compressor                            | £266             |                                 |                  |                                      |                  |
|  |                  |                                 |                  |                                      |                  |
| <b>FLEXCONNECT RANGE</b>                             |                  |                                 |                  |                                      |                  |
| FlexConnect bracket                                  | £22              |                                 |                  |                                      |                  |
| FlexConnect hook                                     | £32              |                                 |                  |                                      |                  |
| FlexConnect coat hanger                              | £34              |                                 |                  |                                      |                  |
| FlexConnect folding table                            | £77              |                                 |                  |                                      |                  |
| FlexConnect iPad Mini cradle                         | £109             |                                 |                  |                                      |                  |
| FlexConnect iPad (1-4) cradle                        | £118             |                                 |                  |                                      |                  |
| FlexConnect iPad Air cradle                          | £117             |                                 |                  |                                      |                  |
| FlexConnect Samsung Galaxy cradle                    | £107             |                                 |                  |                                      |                  |

**Please note:** Prices shown are fully fitted and painted, where applicable and include VAT. Please check with your local Vauxhall Retailer for details. It is advisable to ensure your insurance policy is adequate to cover additional fitted accessories. Prices correct at time of publication.

1 = Restrictions apply to the use of child seats, please consult your Vauxhall Retailer or request a copy of the Child seats brochure. 2 = Without transponder. 3 = Fitting time is based on four wheels fitted and includes static wheel balancing. Different tyres and locking wheel nuts may be required. Price excludes new tyres and locking wheel nuts.



# COMPANY CAR DRIVER AND FLEET INFORMATION

## Company Car Driver Free 3 Day Test Drive

Our free\* 3 Day Test Drive programme is open to all Company Car Drivers which allows you to choose any model in the current Vauxhall line-up (exclusions apply). With full insurance cover provided, it gives you a meaningful length of time to make an informed decision about your next company car.

Search Vauxhall 3DTD to book your FREE\* test drive or click the link the below:

[Vauxhall 3 Day Test Drive](#)

\*The free 3 Day Test Drive programme is open to Company Car Drivers and Fleet Decision Makers. Available for UK Mainland only. Terms and conditions apply. Full terms and conditions can be found at [vauxhallfleet.co.uk/testdrive/index/terms](http://vauxhallfleet.co.uk/testdrive/index/terms).

## Fleet Toolbox

Discover the facts in our online Toolbox for both Company Car Drivers and Fleet Decision Makers. The Fleet Toolbox has a host of useful calculators, comparators, interactive listings and information.

Search Vauxhall Fleet Tools or click the link below:

[Vauxhall Fleet Tool Box](#)

## Benefit in kind company car taxation†

The car benefit charge will be the car's list price (including VAT, options and accessories fitted, delivery to Retailer and number plates, but excluding Vehicle Excise Duty and new vehicle first registration fee) multiplied by the percentage charge for the CO<sub>2</sub> emissions band in which the car falls (see table opposite). Multiply this figure by your personal income tax rate (20%†† for Basic Rate, 40%†† for Higher Rate) to calculate your annual benefit in kind tax liability.

### Example:

#### VIVA SE 1.0i (73PS) (CO<sub>2</sub> emissions 117g/km)

|  |            |
|--|------------|
| On-the-road RRP                                  | £10,485.00 |
| Deduct: Vehicle Excise Duty                      | (£170.00)  |
| New vehicle first registration fee               | (£55.00)   |
| Effective list price                             | £10,260.00 |
| Add: Optional two-coat metallic paint            | £565.00    |
| List price for tax purposes (P11D value)         | £10,825.00 |
| Car benefit charge 2019-20 tax year (27%)        | £2,923.00  |
| Benefit in kind tax liability (2019-20 tax year) |            |
| Basic Rate (20%) tax payer                       | £584.60    |
| Higher Rate (40%) tax payer                      | £1,169.20  |

†Please note this Price Guide provides taxation information as a guide only. Vauxhall does not provide taxation guidance. Drivers should always take professional advice on their own tax position. ††Excludes residents of Scotland.

### BIK FOR SCOTTISH RESIDENTS

Effective 6 April 2018 the Scottish Government have introduced their own BIK taxation structure. This only applies to Company Car Drivers that are Scottish taxpayers. HMRC will determine whether or not an individual is a Scottish taxpayer based on where their main place of residence is.

#### The BIK rates for Scotland are:

- Over £12,500-£14,549 Starter Rate 19%
- Over £14,549-£24,994 Basic Rate 20%
- Over £24,994-£43,430 Intermediate Rate 21%
- Over £43,430-£150,000 Higher Rate 41%
- Above £150,000 Top Rate 46%

## Benefit in kind company car taxation table

| CO <sub>2</sub> emissions in grams per kilometre | Percentage of cars price to be taxed |                           |
|--|--------------------------------------|---------------------------|
|  | Non-Diesel† 2019-20 tax year         | Diesel†† 2019-20 tax year |
| Up to 50   | 16                                   | 20                        |
| 51-75  | 19                                   | 23                        |
| 76-94  | 22                                   | 26                        |
| 95-99  | 23                                   | 27                        |
| 100-104  | 24                                   | 28                        |
| 105-109  | 25                                   | 29                        |
| 110-114  | 26                                   | 30                        |
| 115-119  | 27                                   | 31                        |
| 120-124  | 28                                   | 32                        |
| 125-129  | 29                                   | 33                        |
| 130-134  | 30                                   | 34                        |
| 135-139  | 31                                   | 35                        |
| 140-144  | 32                                   | 36                        |
| 145-149  | 33                                   | 37                        |
| 150-154  | 34                                   | 37                        |
| 155-159  | 35                                   | 37                        |
| 160-164  | 36                                   | 37                        |
| 165-169  | 37                                   | 37                        |
| 170-174  | 37                                   | 37                        |
| 175-179  | 37                                   | 37                        |
| 180 and above                                    | 37                                   | 37                        |

†Also applies to diesel vehicles that meet the Real Driving Emissions Step 2 (RDE2). ††Applies to vehicles that do not meet the Real Driving Emissions Step 2 (RDE2).

To calculate your own personal liability, search:

**Vauxhall BiK**, or click the link below:

[Vauxhall BiK Tool](#)

## Contact Vauxhall Fleet

Please contact one of our dedicated sales teams who will be happy to help with your particular enquiry.

### Company Car Drivers

Call: 0345 111 2020

Email: [company-car@vauxhallinfo.co.uk](mailto:company-car@vauxhallinfo.co.uk)

Telephone lines are open

- Monday to Friday 8:00am-9:00pm

- Saturday and Sunday 9:00am-6:00pm

### Fleet Decision Makers

Depending on the size of your fleet of vehicles, we have a dedicated team to handle your enquiries.

The lines are open Monday to Friday excluding Bank Holidays.

### 1-24 vehicles

Call: 0845 076 2254 (8:30am-5:00pm)

### 25+ vehicles

Call: 0330 587 8222 (8:30am-5:00pm)

Email: [vauxhallfleet@vauxhall.co.uk](mailto:vauxhallfleet@vauxhall.co.uk)

### Special Vehicles (Police, Fire and Ambulance)

Call: 01582 409999 (8:30am-5:00pm)

Email: [vauxhallspecialvehicles@vauxhall.co.uk](mailto:vauxhallspecialvehicles@vauxhall.co.uk)



# FURTHER INFORMATION

## On-the-road prices

To eliminate uncertainty about hidden costs when buying a new car, Vauxhall publishes on-the-road recommended retail prices (RRP) and these are shown in the pricing tables within this price guide. These prices include VAT, number plates and delivery to Retailer of £700.00 (including £116.67 VAT), 12 months' Government Vehicle Excise Duty (see opposite for details) and the DVLA new vehicle first registration fee of £55.00.\*

**Please note:** The on-the-road recommended retail price (RRP) does not include fuel supplied by the Retailer, motor insurance or any other goods or services supplied by agreement between the Retailer and the customer.

## Price protection

Order a new Vauxhall for build in the current model year (as confirmed by your Retailer) for delivery no more than three months in advance and the price you are quoted is the price you pay. This is irrespective of any subsequent price rises between placing your order and delivery of your new car, but you must take delivery as soon as the car is available. Vauxhall Motors Limited is not liable for price adjustments caused by Government changes in the rate of VAT (currently 20%), Vehicle Excise Duty, DVLA new vehicle first registration fee or by any other applicable legislation or regulations.

## Vauxhall Finance Leasing

Vauxhall Finance Leasing is a trading style of Vauxhall Finance plc. Working with the Vauxhall Retailer network we provide competitive car and van leasing solutions for business users and private individuals. We combine the support of a national contract with the convenience of a local contact. For further information, please contact your local Vauxhall Retailer or visit [www.vauxhall.co.uk/leasing](http://www.vauxhall.co.uk/leasing)

## In the event of an accident

Vauxhall Accident Management helps keep you mobile following an accident. Benefits include vehicle recovery, Vauxhall-approved repairs and contacting your insurer. For more details, visit [www.vauxhall.co.uk/AccidentManagement](http://www.vauxhall.co.uk/AccidentManagement)

## Vehicle Excise Duty

The amount of Vehicle Excise Duty (road fund licence) payable on new cars varies depending on the level of carbon dioxide (CO<sub>2</sub>) emissions produced by the vehicle. CO<sub>2</sub> emissions are measured in grams per kilometre (g/km) travelled and divided into 13 charging bands shown in the table opposite.

A 'first year rate' of Vehicle Excise Duty is payable on all new cars and in subsequent years the amount payable reverts to the 'standard rate'. From 1 April 2017 the breakpoints for each of these bands have been revised. Also, for vehicles with a list price over £40,000, including factory-fitted options, an additional £320 is payable for the first five years of standard rate payments.

## Vehicle Excise Duty\*

| Band | CO <sub>2</sub> emissions<br>in grams<br>per kilometre | First year rate     |                     |               |
|------|--|---------------------|---------------------|---------------|
|      |  | Petrol <sup>#</sup> | Diesel <sup>†</sup> | Standard rate |
| A    | 0  | £0                  | £0                  | £0            |
| B    | 1-50   | £10                 | £25                 | £145          |
| C    | 51-75  | £25                 | £110                | £145          |
| D    | 76-90  | £110                | £130                | £145          |
| E    | 91-100   | £130                | £150                | £145          |
| F    | 101-110  | £150                | £170                | £145          |
| G    | 111-130  | £170                | £210                | £145          |
| H    | 131-150  | £210                | £530                | £145          |
| I    | 151-170  | £530                | £855                | £145          |
| J    | 171-190  | £855                | £1,280              | £145          |
| K    | 191-225  | £1,280              | £1,815              | £145          |
| L    | 226-255  | £1,815              | £2,135              | £145          |
| M    | over 255   | £2,135              | £2,135              | £145          |

## Insurance Groups

|            | SE | SE (a/c) | ROCKS |
|------------|----|----------|-------|
| 1.0 (73PS) | 4E | 5E       | 5E    |

## Tyre Rating

| Tyre size   | Fuel efficiency<br>group | Wet grip<br>performance | External noise |       |
|-------------|--------------------------|-------------------------|----------------|-------|
|             |                          |                         | Measured (dB)  | Group |
| 185/55 R 15 | B-C                      | B                       | 71             |       |

According to EU Regulation 1222/2009

\*Correct at time of issue.

<sup>#</sup>Also applies to diesel vehicles that meet the Real Driving Emissions Step 2 (RDE2).

<sup>†</sup>Applies to vehicles that do not meet the Real Driving Emissions Step 2 (RDE2).



# FURTHER INFORMATION

## Customer Care Commitment

For added peace of mind, Vauxhall has an innovative Customer Care Commitment that offers the following:

- Three-year vehicle warranty consisting of a one-year/unlimited mileage manufacturer's warranty and a second and third year manufacturer's warranty with a 60,000 miles limitation
- Vauxhall Assistance for 12 months from first registration
- Six years' body panel anti-perforation warranty

**Please note:** Warranty is only available on vehicles sourced from Vauxhall Motors Limited. Terms and conditions apply. Please see your Vauxhall Retailer for details.

## Vauxhall Assistance

Vauxhall Assistance is provided automatically with every new Vauxhall for 12 months from first registration and covers everything from accident assistance, roadside recovery and 'at home' service to flat tyres. With Vauxhall Assistance help is literally just a free\* phone call away, 24 hours a day, 365 days a year!

## Protecting the environment

Vauxhall's commitment to the environment is demonstrated by our products' many environmental awards. For even more information on Vauxhall's efforts to achieve an environmentally sustainable future, and how to dispose of your end-of-life vehicle, see [www.vauxhall.co.uk/recycling](http://www.vauxhall.co.uk/recycling)

## Vauxhall Service Plan

- Fixed monthly payments for the plan duration
- Easy to budget and interest-free
- Genuine parts fitted by Vauxhall-trained technicians  
Plus on Gold plans:
- Valet and courtesy car
- Vauxhall Roadside Assistance
- Engine flush and fuel treatments
- Litre of oil for top ups between services

Full details can be obtained from your local participating Vauxhall Retailer.

## Vauxhall Insurance with added reassurance

Comprehensive cover – Summary of benefits

- Competitive premiums
- Repairs by a Vauxhall-trained technician
- Genuine Vauxhall parts, guaranteed for five years when we repair your car within our Approved Repairer Network
- Free courtesy car as standard when using an Approved Repairer\*\*
- 24 hour claims helpline
- Personal Accident benefit
- Cover for audio equipment
- Windscreen cover

Call for a quote on **0330 678 1130**<sup>†</sup>

<sup>†</sup>Mobile phone users will be charged at their standard tariff.

<sup>\*\*</sup>Should your car need repairing following an accident we provide a courtesy car (subject to availability) for the duration of the repair. Only genuine Vauxhall parts are used. Terms and conditions apply.

<sup>†</sup>Calls may be recorded. Vauxhall Insurance Services is a trading name of Europa Group Limited which is authorised and regulated by the Financial Conduct Authority. Europa Group Limited's Financial Services Register number 309794. Registered as a limited company in England and Wales No 03279177. Registered Office: Europa House, Midland Way, Thornbury, Bristol, BS35 2JX.

## For more product information

For further information on the Vauxhall range or location of your nearest Vauxhall Retailer please call **0345 600 1500**. Alternatively, details can be found on our website at [www.vauxhall.co.uk](http://www.vauxhall.co.uk)

## Join us online



Privacy Policy – for full details visit [www.vauxhall.co.uk/privacy](http://www.vauxhall.co.uk/privacy)

The invoice price, including delivery to Retailer, factory-fitted options, accessories fitted by the Retailer and number plates, is subject to VAT. Some feature descriptions in this guide may refer to, and some illustrations may show, optional equipment not included in the standard delivery. The information contained in this guide was accurate at the time of publication. We reserve the right to make changes in design and equipment. Please note that Vauxhall Retailers are not the agents of Vauxhall Motors Limited and are not authorised to bind Vauxhall Motors Limited by any specific or implied undertaking or representation. It is advisable to ensure that your motor insurance policy provides adequate cover for additional fitted options and accessories. The colours in this guide are only approximate actual colours. Illustrated optional equipment is available at extra charge. Availability, technical features and equipment provided on our vehicles can vary by model. For precise information on the equipment provided on our vehicles, please contact your local Vauxhall Retailer.

# VAUXHALL

[vauxhall.co.uk](http://vauxhall.co.uk)

©2019 Vauxhall Motors Limited

Published 1 April 2019 (Amended 3 July 2019) Vauxhall Motors Limited, Luton LU4 9TT