

VAUXHALL Combo

Owner's Manual
Model Year 2010
Edition: June 2009
TS 1649-A-10

Operation, Safety, Maintenance

Data specific to your vehicle

Please enter your vehicle's data here to keep it easily accessible. This data can be found under the sections "Technical data" and "Service and maintenance" as well as on the identification plate.

Fuel

Designation

Engine oil

Grade

Viscosity

Tyre pressure

	Tyre size	front	rear
Summer tyres	<input type="text"/>	<input type="text"/>	<input type="text"/>
Winter tyres	<input type="text"/>	<input type="text"/>	<input type="text"/>

Weights

Gross vehicle weight rating

-

EC kerbweight

=

Loading

Introduction

Your vehicle is an intelligent synthesis of advanced technology, proven safety, environmental friendliness and economy. It now lies with you to drive your vehicle safely and ensure that it performs perfectly. This Owner's Manual provides you with all the necessary information to that end.

Make sure your passengers are aware of the possible risk of accident and injury which may result from improper use of the vehicle.

You must always comply with the specific laws of the country in which you are driving. These laws may differ from the information in this Owner's Manual.

When this Manual refers to a workshop visit, we recommend your Vauxhall Authorised Repairer.

All Vauxhall Authorised Repairers provide first-class service at reasonable prices. Experienced mechanics trained by Vauxhall work according to specific Vauxhall instructions.

The customer literature pack, consisting of Owner's Manual, infotainment system instructions and the Service and Warranty Booklet should always be kept in the vehicle: ready to hand in the glove compartment.

Make use of the Owner's Manual

- The "In brief" section will give you an initial overview.
- The table of contents at the beginning of the Owner's Manual and within the individual chapters will show you where everything is.
- Its index will help you find what you want.
- Yellow arrows in the illustrations serve as points of reference or indicate some action to be performed.
- Black arrows in the illustrations indicate a reaction or a second action to be performed.
- This Owner's Manual refers to right-hand drive vehicles. Operation in left-hand drive vehicles is similar.
- The Owner's Manual makes reference to internal engine designations. The associated sales designations are found in the section "Technical data".
- Directional data, e.g. left or right, or front or back, in the descriptions always relate to the direction of travel.

Symbols

- ▶ Continue reading on next page.

Equipment marked with * is not found in all vehicles (model variants, engine range, national variants, special equipment, Vauxhall genuine parts and accessories).

Page references are indicated with ⇨, which means "see page".

⚠ Danger, ⚠ Warning, Caution

⚠ Danger

Text marked ⚠ **Danger** provides information on possible fatal injury. Disregard of the instructions may endanger life.

⚠ Warning

Text marked ⚠ **Warning** provides information on risk of an accident or injury. Disregard of the instructions may lead to injury.

Caution

Text marked **Caution** provides information on possible damage to the vehicle. Disregard of the instructions may lead to vehicle damage.

Thank you for choosing a Vauxhall. We wish you many hours of pleasurable driving.

Your Vauxhall Team

Contents

Commitment to customer satisfaction:

Our aim: to keep you happy with your vehicle. All Vauxhall Authorised Repairers offer first-class service at competitive prices. Experienced, factory-trained technicians work according to factory instructions. Your Authorised Repairer can supply you with GENUINE VAUXHALL-APPROVED PARTS, which have undergone stringent quality and precision checks, and of course useful and attractive VAUXHALL-APPROVED ACCESSORIES.

Our name is your guarantee!

For details of the

Vauxhall Authorised Repairer Network, please ring this number; 0845 090 2044

In Brief	2
Keys, doors, windows	18
Seats, Interior	36
Instruments	63
Lighting	80
Infotainment system	86
Climate control	88
Driving and operation	96
Self-help, vehicle care	121
Service and maintenance	156
Technical data	171
Index	185

In Brief



Unlocking the vehicle: Turn the key in the lock forwards or press the \geq button on the radio remote control *

Pull on the door handle and open the door or slide open the sliding door *.

Sliding door * ⇨ 25, Key ⇨ 18, Electronic immobiliser ⇨ 19, Remote control * ⇨ 21, Central locking system * ⇨ 22, Vauxhall alarm system * ⇨ 29, Child locks * ⇨ 25.



Unlocking the tailgate *: Turn the key to the horizontal position or press the \geq button on the remote control *

Press the button to open the tailgate.

When using the remote control, the tailgate is only unlocked if the key slot in the button is in the horizontal position.

If the key slot is in the vertical position, the tailgate is always locked.

Remote control * ⇨ 21, Central locking system * ⇨ 22, Vauxhall alarm system * ⇨ 29, Tailgate * ⇨ 26.



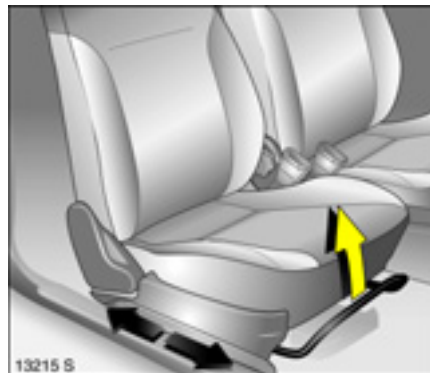
Unlocking the rear doors *: Turn the key to the vertical position or press the \supseteq button on the remote control *

To open the right rear door, pull on the handle and pull open the door. To open the left rear door, turn the handle on the inside.

When using the remote control, the rear doors are only unlocked if the key slot in the lock is in the vertical position.

If the key slot is in the horizontal position, the rear doors are always locked.

Remote control * \diamond 21,
Central locking system * \diamond 22,
Vauxhall alarm system * \diamond 29,
Rear doors * \diamond 27.



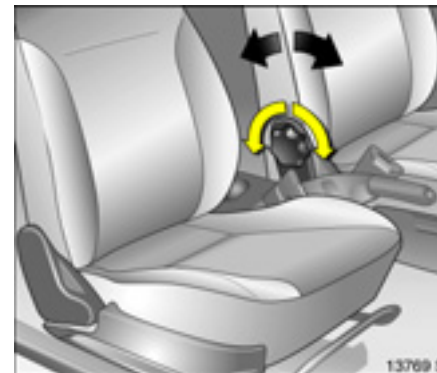
To adjust front seat leg room *: Pull handle, slide seat, release handle

After adjusting, move the seat until you can feel it engage.

Seats \diamond 36, Seat position \diamond 37.

⚠ Warning

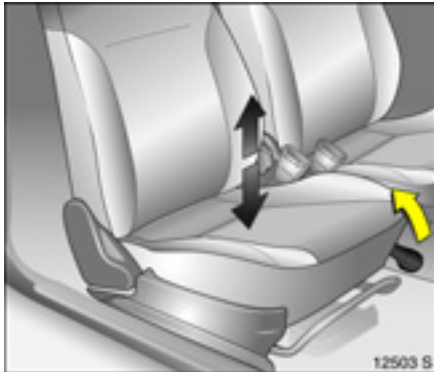
Important: Do not sit nearer than 10 inches (25 cm) from the steering wheel, to permit safe airbag deployment.



To adjust front seat backrests: Turn handwheel

Do not lean on seat backrest whilst adjusting it.

Seats \diamond 36, Seat position \diamond 37.

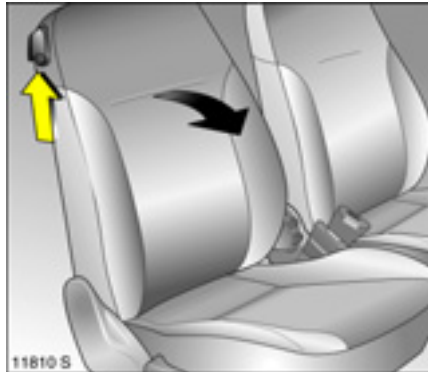


Front seat height *: Pull lever at side

Lift lever and relieve some weight from seat to raise it or press down on seat with body weight to lower it.

Never adjust the driver's seat whilst driving. It could move in an uncontrolled manner when the lever has been pulled.

Seats ↻ 36, Seat position ↻ 37.



To fold front seat backrest *: Raise release lever

Seats ↻ 36, Seat position ↻ 37.



Adjust head restraint height * of front and rear outboard seats: Tilt forward to release, hold in place, adjust height and release again

Head restraint ↻ 38, Head restraint position ↻ 39, Rear, centre head restraint* ↻ 39.



Pull out the seat belt and engage it in the belt buckle

The seat belt must not be twisted and must lie snugly against the body. The backrest must not be tilted back too far (maximum approx. 25°).

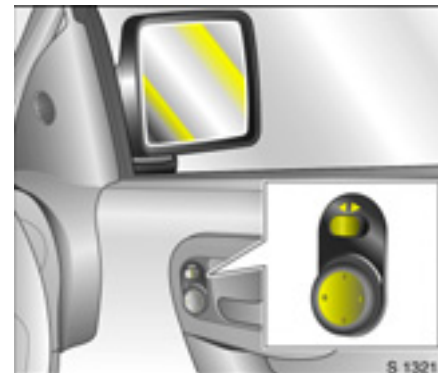
To release belt, press red button on belt buckle.

Three-point seat belts ↪ 46,
Airbag system ✱ ↪ 54, Seat position ↪ 37.



Adjust the exterior mirror manually using the handle

Mirrors ↪ 32, Aspherical exterior mirrors ↪ 32, Folding the exterior mirrors ↪ 32.



Electrical exterior mirror adjustment ✱

Select the corresponding exterior mirror with the rocker switch and adjust with the four-way switch.

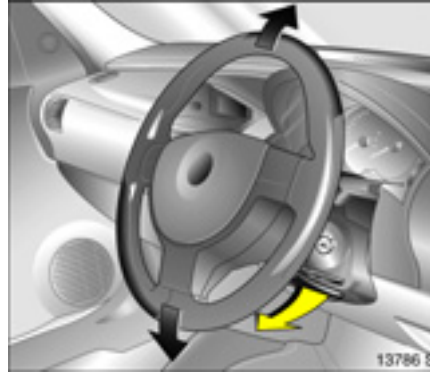
Mirrors ↪ 32, Aspherical exterior mirrors ↪ 32, Folding the exterior mirrors ↪ 32,
Heated exterior mirrors ↪ 33.



To adjust interior mirror by swivelling

Swivel lever on underside of mirror housing to reduce dazzle at night.

Mirrors ↗ 33.



Steering wheel adjustment *: Swivel lever down, adjust height, swivel lever up, engage

Adjust steering wheel only when vehicle is stationary and steering column lock is released.

Airbag systems * ↗ 54.



Exterior lights

Turn light switch

- 0 = Off
- ☛ = Parking lights
- ☛D = Dipped beam or main beam

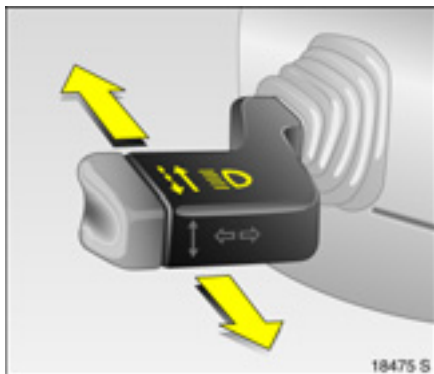
Press light switch

- ☛ = Courtesy light

Push button

- ☛D = Front fog lights *
- ☛ = Fog tail light

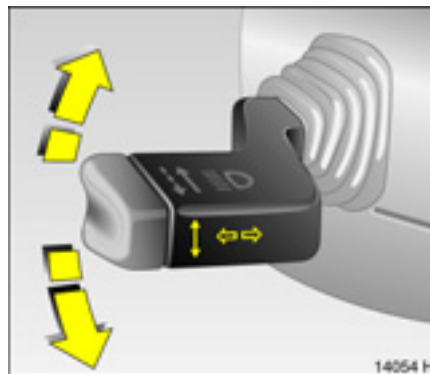
Lighting ↗ 80, Headlight warning device ↗ 78.



Headlight flash, main beam and dipped beam

- Headlight flash = Pull stalk towards steering wheel
- Main beam = Push stalk forwards
- Dipped beam = Push stalk forwards again

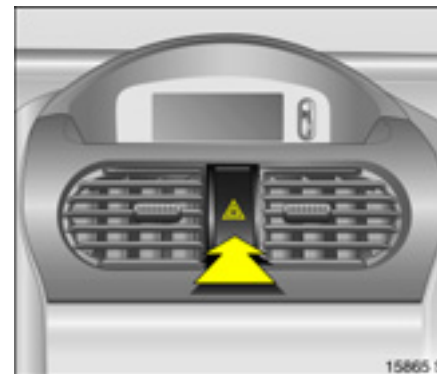
Main beam, headlight flash ⇨ 81.



Switch turn signal on

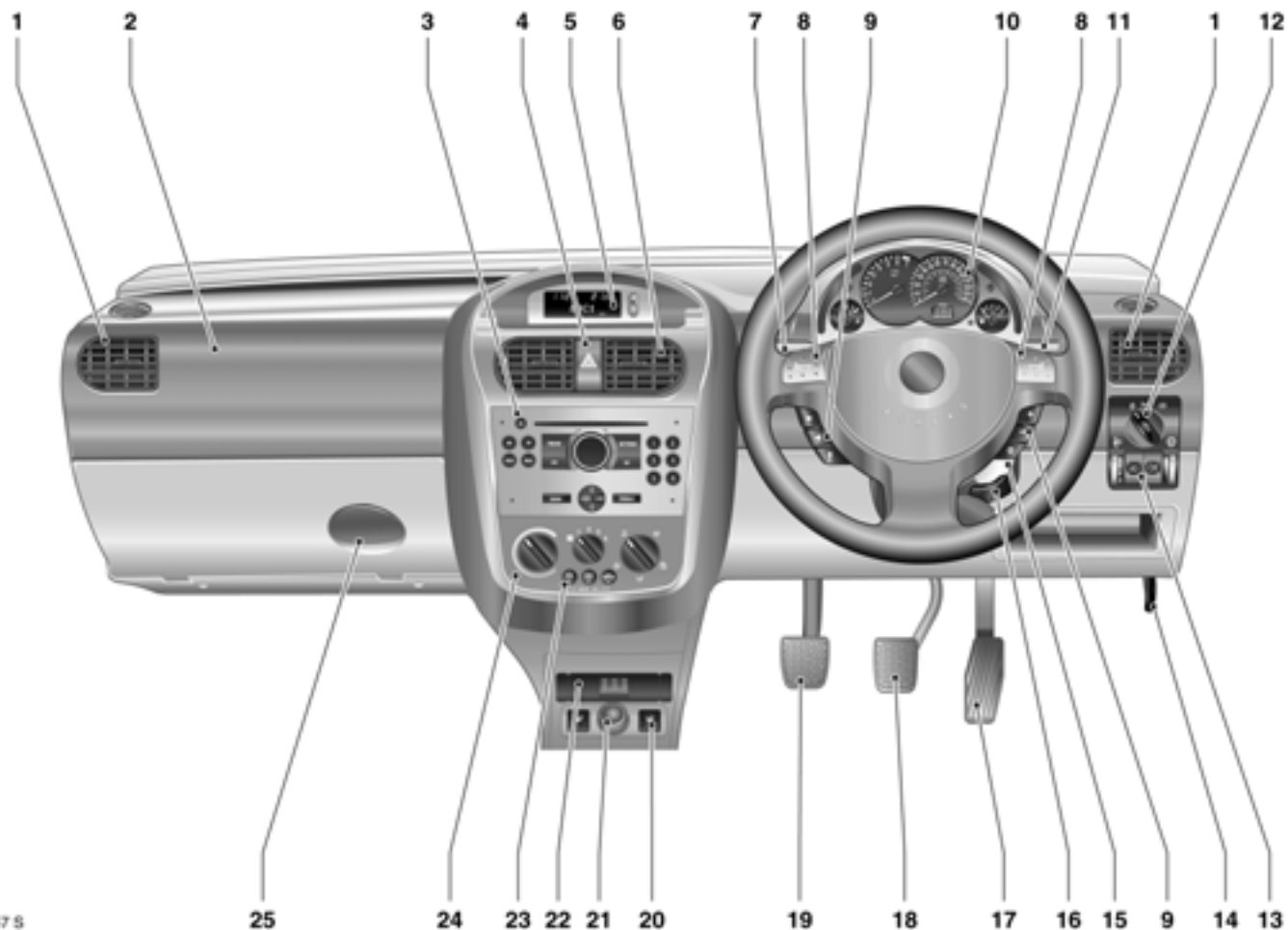
- Right = Stalk upwards
- Left = Stalk downwards

Turn signals ⇨ 81.



Hazard warning lights

- Operated with the ▲ button.
- Hazard warning flashers ⇨ 82.












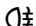
	Page
1 Side air vents	⇨ 89
2 Front passenger airbag *	⇨ 54
3 Infotainment system *	⇨ 86
4 Hazard warning lights	⇨ 7
LED for Vauxhall alarm system *	⇨ 30
5 Display * for time, date, outside temperature, infotainment system *	⇨ 73
6 Centre air vents	⇨ 89
7 Turn signals, headlight flash, dipped beam, main beam ..	⇨ 6, ⇨ 80
8 Horn	⇨ 11
9 Steering wheel remote control * ..	⇨ 86
10 Instruments	⇨ 63






	Page
11 Windscreen wiper, windscreen wash system, rear window wash system *	⇨ 6, ⇨ 80
12 Light switch	⇨ 6, ⇨ 80
13 Headlight range adjustment * ..	⇨ 83
Fog tail light	⇨ 82
Front fog lights *	⇨ 82
Instrument illumination	⇨ 83
14 Bonnet release lever	⇨ 121
15 Starter switch with Steering column lock	⇨ 14
16 Steering wheel adjustment *	⇨ 6
17 Accelerator pedal	⇨ 102, ⇨ 104
18 Brake pedal	⇨ 102, ⇨ 111
19 Clutch pedal *	⇨ 102

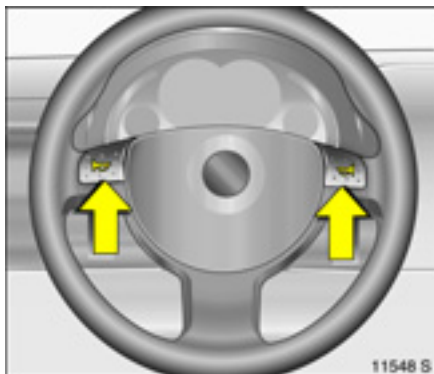
	Page
20 Seat heating *	⇨ 38
21 Accessory socket or cigarette lighter	⇨ 59
22 Ashtray *	⇨ 60
23 Air conditioning system *	⇨ 92
Heated rear window *	⇨ 12, ⇨ 35
Air recirculation system *	⇨ 93
24 Heating and ventilation system ..	⇨ 88
25 Glove compartment	⇨ 61

Control indicators

-  **Front fog lights***,
↻ 63, ↻ 82.
-  **Engine electronics, Immobiliser*, Easytronic*, Fault,**
↻ 19, ↻ 63, ↻ 109.
-  **Exhaust gases***,
↻ 64, ↻ 109.
-  **Airbag systems*, Belt tensioners,**
↻ 64, ↻ 48, ↻ 57.

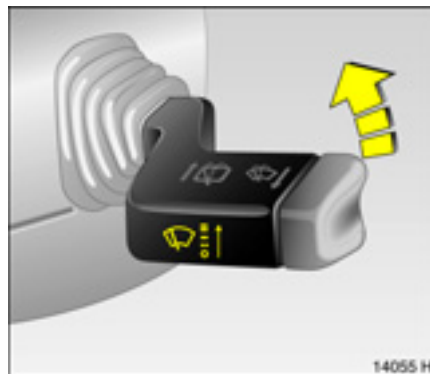
-  **Engine oil pressure,**
↻ 64.
-  **Turn signal lights,**
↻ 65, ↻ 81.
-  **Main beam,**
↻ 65, ↻ 81.
-  **Preheating*, diesel particle filter*,**
↻ 65, ↻ 110.
-  **Winter programme of Easytronic*,**
↻ 99.
-  **Fog tail light,**
↻ 66, ↻ 82.

-  **Alternator,**
↻ 66.
-  **Brake system, clutch system*,**
↻ 66, ↻ 168.
-  **Anti-lock brake system (ABS)*,**
↻ 112.
-  **Engine oil level*,**
↻ 67, ↻ 164.
- EPS** **Electric power steering (EPS)*,**
↻ 67.
-  **Fuel level,**
↻ 67, ↻ 107.



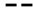



Operate horn: Press right or left

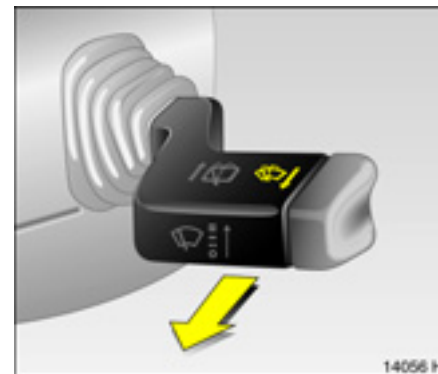
Airbag system *↗ 54, Remote control on steering wheel *↗ 86.



Windscreen wiper: Move stalk upwards

-  = Fast
-  = Slow
-  = Adjustable interval switching
-  = Off

Windscreen wiper ↗ 78, Adjustable wiper interval *↗ 79, Further information ↗ 154, ↗ 168



Operating windscreen wash system: Stalk toward steering wheel

Windscreen wash system ↗ 78, Further information ↗ 169, ↗ 182.



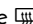
Rear window wiper * and Rear window wash system * operation

- Wiper on = Push stalk forwards
- Wiper off = Stalk toward steering wheel
- Washing = Push stalk forward and hold

Rear window wiper and rear window wash system ↪ 78, Further information ↪ 168, ↪ 169.





Heated rear window *, heated exterior mirrors *

Operated with the  button.

Climate control system ↪ 88, Heated rear window ↪ 35.



To clear fogged or icy windows

Turn the rotary knobs for temperature and air flow clockwise. Set air distribution to . Air conditioning system *: Also press button .

Climate control * ↪ 88.

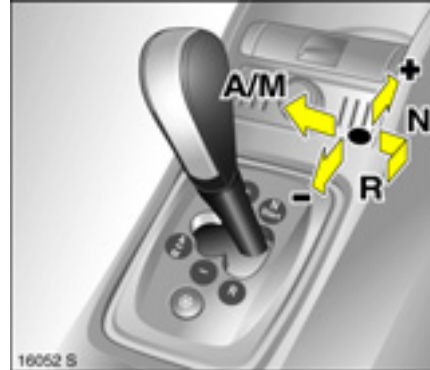


Manual transmission

Reverse gear: With the vehicle stationary, lift the ring under the gear-lever knob 3 seconds after depressing the clutch, and then engage the gear.

If the gear does not engage, put the lever into neutral, release the clutch pedal and depress again; then repeat gear selection.

Manual transmission ↻ 101.



Easytronic *

- N = Idle speed/start position
- = Drive position (centre position)
- + = Higher gear
- = Lower gear
- A/M = Switch between Automatic and Manual mode
- R = Reverse gear (with selector lever lock)

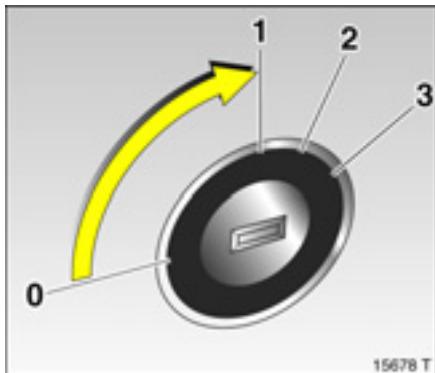
To move the selector lever from **N** to **R** press the button on the lever.

Only start in **N** with foot brake applied.

Easytronic * ↻ 96.

Before starting off, check

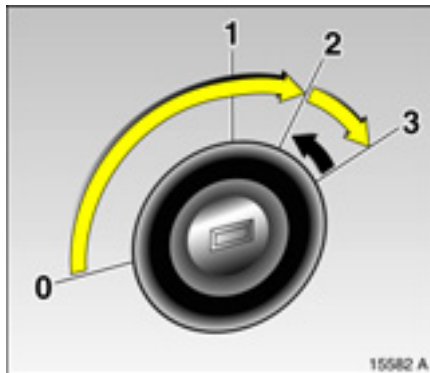
- Tyre pressure and tyre condition ↻ 114, ↻ 179,
- Engine oil level and fluid levels in engine compartment ↻ 163 to ↻ 169,
- All windows, mirrors, exterior lighting and number plates are free from dirt, snow and ice and operational,
- Seats, seat belts and mirrors are correctly adjusted ↻ 36, ↻ 46, ↻ 32,
- Check brake function at low speed, particularly if the brakes are wet.



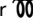
Steering column lock and ignition

Turn key to position 1. Move the steering wheel slightly to release the steering column lock.

- 0 = Ignition off
- 1 = Steering free, ignition off
- 2 = Ignition on,
with diesel engine: preheating
- 3 = Starting

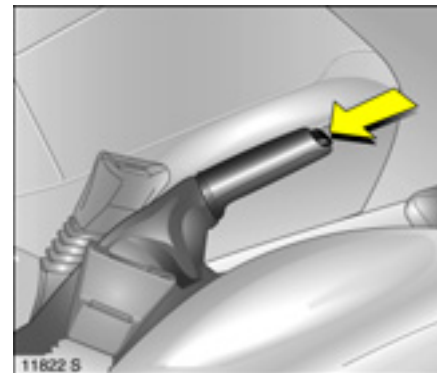


Starting the engine

Depress the clutch and brake pedals, Easytronic * in N, do not accelerate; for diesel engine, turn key to position 2; when control indicator  goes out turn the key to position 3 and release it when the engine is running.

To repeat the start procedure or switch off the engine, turn the key back to 0.

To switch on the ignition, turn the key to 2.


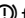



To release the handbrake: Raise lever slightly, press release button, lower lever fully


Handbrake ⇨ 66, ⇨ 113.




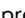
Parking the vehicle

- Always apply handbrake firmly without operating the release button, and apply as firmly as possible on a downhill or uphill slope.
- Switch off the engine and ignition by turning the ignition key to 0 and removing it. Turn the steering wheel until you can feel its lock engage (anti-theft protection).


On vehicles with Easytronic , control indicator  flashes for a few seconds after the ignition is switched off if the handbrake has not been applied.




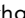




- If the vehicle is parked on a level surface or an uphill slope, with a manual gearbox select first gear or with Easytronic  move the selector lever to the centre position before switching off the ignition. Also turn the front wheels away from the kerb if the vehicle is on an uphill slope.

If the vehicle is on a downhill slope, with manual gearbox or Easytronic  select reverse gear before switching off the ignition. Also turn the front wheels towards the kerb.

- Lock the vehicle with the key in the lock or the  button on the remote control.
Activate the anti-theft locking system  and Vauxhall alarm system  by pressing the  button twice.

Advice when parking

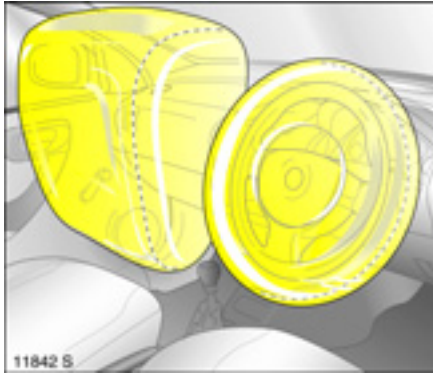
- Do not park vehicle on easily ignitable surfaces as the hot exhaust system temperatures could cause the surface to ignite.
- Close windows.
- The engine cooling fans may run after the engine has been switched off,  163.

Locking doors  20, Remote control   21, Central locking system   22, Vauxhall alarm system   29, Vehicle decommissioning  170.

Interesting functions

See following pages.



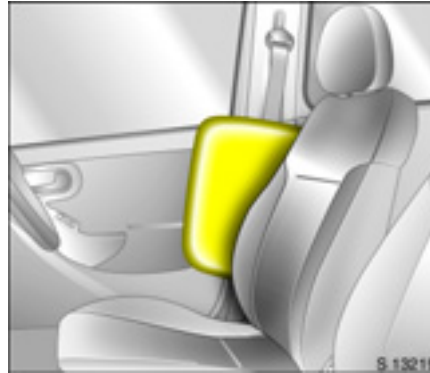


Airbag system

The airbag system consists of several internal systems.

Front airbag system *

The front airbag system will be triggered in the event of a serious accident involving a frontal impact and forms safety cushions for the driver and front passenger. The forward movement of the driver and front passenger is checked and the risk of injuries to the upper body and head thereby substantially reduced.



Side airbag system *

The side airbag system triggers when a side-on collision occurs and provides a safety barrier for the driver and/or passenger in the respective front door area. This reduces the risk of injury to the upper body considerably in case of a side impact.

Airbag System ⇨ 54.



Operating via the information display menus

The menu options are selected via the menus and with the button/four-way button or the multi-function button of the infotainment system * or via the buttons * on the steering wheel. The menu options appear on the display.

To select with four-way button:
Press four-way button up, down, right or left.



Selecting with the multi-function button (adjuster wheel via the four-way rocker switch ⇨ 74):

Press and turn multi-function button.

To exit a menu, turn the multi-function button left or right to **Return** or **Main** and select.

To select with steering wheel buttons *:
Select menu options via the menus using the buttons.

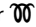
Information display ⇨ 73.

Diesel particle filter *

The diesel particle filter system filters harmful soot particles out of the exhaust gases. The system includes a self-cleaning function that runs automatically during driving. The filter is cleaned by burning off the soot particles at high temperature. This process takes place automatically under set driving conditions and may take up to 25 minutes. Fuel consumption may be higher during this period. The emission of smells and smoke during this process is normal.

Under certain driving conditions, e.g. short distances, the system cannot clean itself automatically.



If the filter requires cleaning and previous driving conditions did not enable automatic cleaning, control indicator  flashes.

Further instructions ⇨ 110.

Keys, doors, windows

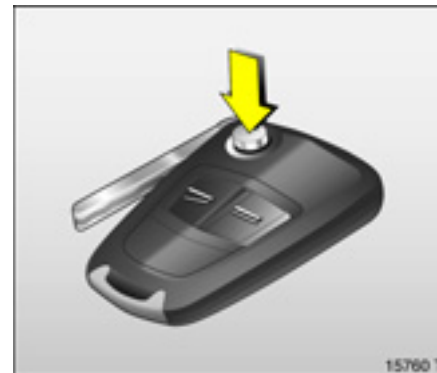
Replacement keys	18
Key with retractable key blade *	18
Car Pass	18
Electronic immobiliser.....	19
Mechanical unlocking or locking of individual doors.....	20
Remote control *.....	21
Central locking system *.....	22
Fault in the remote control.....	24
Malfunction in central locking system	24
Sliding doors *.....	25
Child safety locks *.....	25
Tailgate *.....	26
Rear doors *.....	27
Vauxhall alarm system *.....	29
Exterior mirrors.....	32
Interior mirror.....	33
Manual window operation, front doors.....	33
Window in the sliding doors *.....	34
Electric windows *.....	34
Heated rear window *.....	35

Replacement keys

The key number is specified in the Car Pass *.

The key is part of the electronic immobiliser.

Locks ⇨ 20, ⇨ 155.



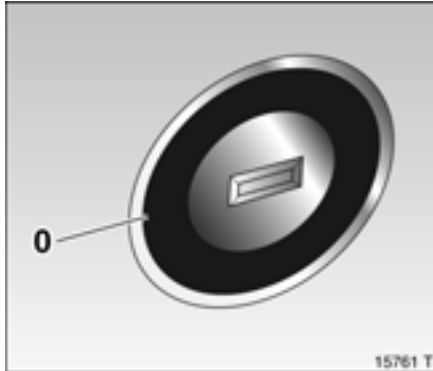
Key with retractable key blade *

Press button to extend. To retract, press button and audibly engage key blade.

Car Pass

The Car Pass contains safety-related vehicle data and should therefore be kept in a safe place.

When the vehicle is taken to a workshop, the Car Pass data is needed in order to perform certain operations.



Electronic immobiliser

The system checks whether the vehicle is allowed to start with the key used. Once the transponder in the key is recognised, the vehicle can be started.

The electronic immobiliser activates automatically when the key is removed from the starter switch.



Control indicator for immobiliser

Control indicator illuminates briefly after the ignition is switched on.

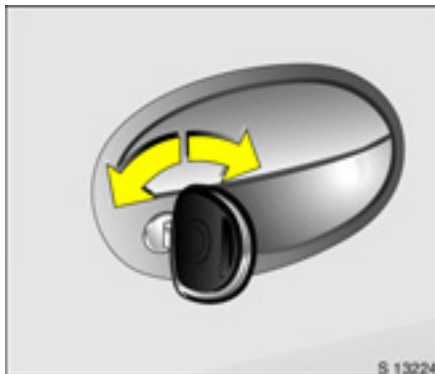
If the control indicator flashes when the ignition is on, there is a fault in the system; the engine cannot be started. Switch off the ignition and then repeat the start attempt.

If the control indicator continues to flash, please try to start the engine using the second key and contact a workshop.

If control indicator illuminates after the engine has started, there is a fault in the engine electronics or Easytronic transmission 100.

Note

The immobiliser does not lock the doors. You should always lock the vehicle after leaving it and switch on the Vauxhall alarm system 20, 22, 29.



Mechanical unlocking or locking of individual doors

(versions without remote control * and central locking system *)

Front doors and sliding doors *

To unlock

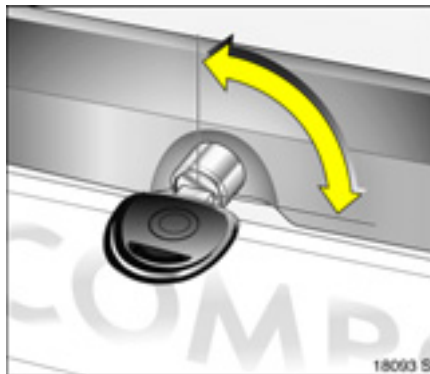
Turn key in lock towards front of vehicle as far as it will go. Return key to the vertical position and remove. Pull door handle.

To lock

With door or sliding door closed, turn key towards rear of vehicle as far as it will go. Turn key back to vertical position and remove.

Operating from the inside

Pull or press the interior lock button.



Tailgate *

To unlock

Turn key in lock to horizontal position and remove. Press button.

To lock

With tailgate closed, turn key in lock to vertical position and remove.



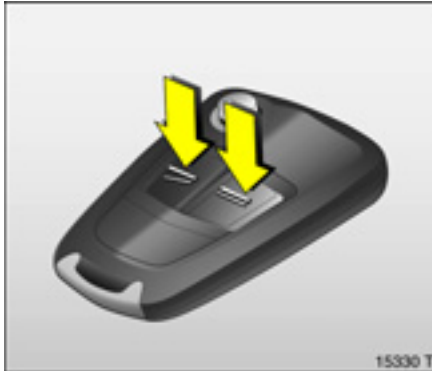
Rear door *

To unlock

Turn key in lock to vertical position and remove. Pull door handle.

To lock

Close first left and then right rear door. Turn key in lock to horizontal position and remove.



Remote control *

Depending on the equipment of the vehicle, one of the remote controls depicted on this page will be used.

The remote control is integrated in the key.

Used to operate:

- Central locking system *
- mechanical anti-theft locking system *
- Vauxhall alarm system *

On vehicles with electronic windows *, the windows can be closed from the outside using the remote control ↪ 35.



The remote control has a range of approx. 5 metres. This range can be affected by outside influences. Aim the remote control at the vehicle to operate. The hazard warning lights flash to confirm remote control operation.

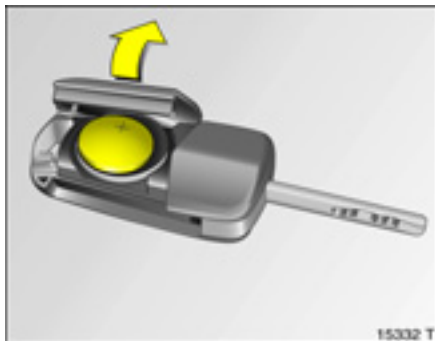
Handle the remote control with care, protect it from moisture and high temperatures and avoid unnecessary operation.

Fault

If the central locking system cannot be operated with the remote control, it may be due to the following:

- Range exceeded.
- Battery voltage of the radio remote control too low, change battery.
- Frequent, repeated operation of the remote control outside the reception range of the vehicle (e.g. too far from vehicle, remote control is then no longer recognised). Synchronise the remote control.
- If the central locking system is overloaded as a result of repeated operation at short intervals. The power supply is cut off for a brief period.
- Interference from higher-power radio waves from other sources.

Manual unlocking or locking with the vehicle key ↪ 24.



Remote control battery replacement

Replace the battery as soon as the range of the remote control begins to shrink.

Batteries do not belong in household waste. They must be disposed of at an appropriate recycling collection point.

Key with foldaway key section

Extend the key ↗ 18. Open the remote control. Replace the battery (battery type CR 20 32), noting installation position. Close the remote control and synchronise.

Key with fixed key section

Have the battery changed in a workshop.

Radio remote control synchronisation

After changing the battery, unlock the door with the key in the lock ↗ 24. Inserting the key in the ignition synchronises the remote control.



Central locking system *

Used to unlock and lock doors, sliding door *, load compartment and tank flap *.

To unlock

Press button ≧ on the remote control – or from the inside – Pull lock button on driver's door.

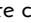
When the mechanical anti-theft locking system * is enabled, the doors cannot be unlocked by pulling up the lock buttons.

Country-specific version *: Pressing the button once will unlock the driver's door. Pressing the button twice will unlock the entire vehicle.



To lock

Close doors, sliding door *, load compartment and tank flap.

Press button  on the remote control – or from the inside –

Push the lock button on the driver's door when the doors are closed.

Mechanical anti-theft locking system *

 Warning


Do not use the system if there are people in the vehicle! The doors cannot be unlocked from the inside.

All doors must be closed.



If the ignition was on, the driver's door must be opened and closed once so that the vehicle can be secured.

All doors are secured against opening.

Within 10 seconds of locking, press the  button on the remote control again

The mechanical anti-theft locking system switches off when the vehicle is unlocked.

Note

- To prevent the driver from being inadvertently locked out, the button on the driver's door cannot be depressed when the door is open.
- If the driver's door is not closed properly, the central locking system will unlock again immediately after locking.
- A short time after unlocking with the remote control, the doors lock again automatically if no door is opened.
- To lock the doors from inside (e.g. to prevent unwanted entry from outside), push down lock button on driver's door.
- Locked doors unlock automatically in the event of an accident of a certain severity (to permit outside assistance). For this reason, the ignition must not be switched off.
- If a sliding door * is open when the vehicle is being locked, it is locked a few seconds after it has been closed.

Fault

If the central locking system cannot be operated, the problem may be as follows:

- If the central locking system is overloaded as a result of repeated operation at short intervals. The power supply is cut off for a brief period.

- Defective fuse in the fuse box ⇨ 140.

Please contact a workshop to have the cause of the fault remedied.

Operate the driver's door with the key.



Fault in the remote control

To unlock

Turn key in driver's door lock towards front of vehicle, turn back to vertical position and remove. The entire vehicle is unlocked. Switch on ignition to deactivate Vauxhall alarm system ✱.

To lock

With the driver's door closed, turn key in lock towards rear of vehicle, turn back to vertical position and remove. The entire vehicle is locked.

Malfunction in central locking system

To unlock

Turn the key in the driver's door lock towards the front of vehicle, turn it back to the vertical position and remove. The driver's door is unlocked. The other doors can be opened by pulling the lock button (unless the anti-theft locking system ✱ is active). The load compartment and tank flap remain locked. Switch on the ignition to deactivate the Vauxhall alarm system ✱.

To lock

With the driver's door open, press the lock button of one of the other doors. Close the driver's door and turn the key in the driver's door lock toward the rear of the vehicle, turn it back to the vertical position and remove. The unlocked fuel tank flap cannot be locked.

Note

- The mechanical anti-theft locking system ✱ and the Vauxhall alarm system ✱ cannot be activated with the key.
- To deactivate the Vauxhall alarm system ✱ alarm, switch on the ignition after opening a door.




Sliding doors *

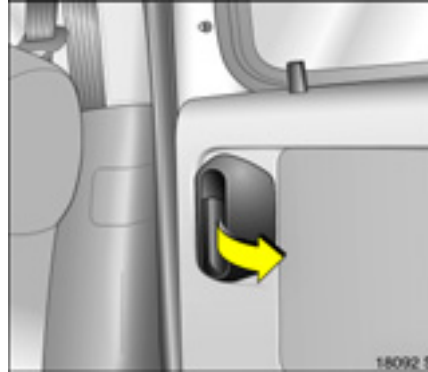
⚠ Warning

If the vehicle is parked facing down a slope, open sliding doors may move accidentally on account of their weight. Close the sliding doors before driving off.

Opening from outside

Unlock the door with the key by turning it forwards in the lock or pressing the  button on the remote control.

To open the sliding doors, pull the handle and slide the door towards the rear of the vehicle.




Opening from inside

To open the unlocked sliding door, pivot the handle and slide the door towards the rear of the vehicle.

To prevent damage, the right-hand sliding door cannot be fully opened if the tank flap is open.

To close

Slide the sliding door until it engages. To lock the door, turn the key in the lock towards the rear of the vehicle, press button  on the remote control or press the interior lock button.



Child safety locks *

⚠ Warning


Use the child safety lock whenever children are occupying the rear seats.

With the sliding door open, use the key to turn the rotary knob at the door lock from the vertical position: the door cannot be opened from the inside.




Tailgate *

To open

Turn the key in the lock to the vertical position or press the  button on the remote control.

Press the button to open the tailgate.

To close

Close the tailgate and turn the key in the lock to a horizontal position or press the  button on the remote control.



Central locking * and the tailgate

The central locking system and an anti-theft locking system * for the doors cannot be operated via the tailgate lock.

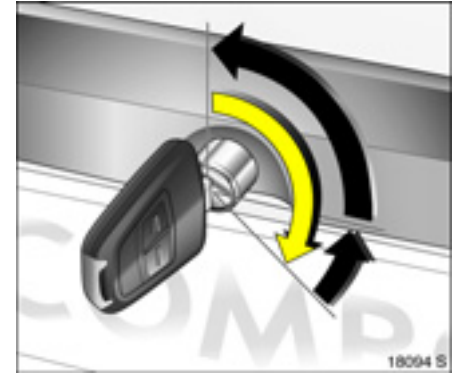
Key slot horizontal in lock

When the central locking system is operated, the tailgate is locked or unlocked together with the doors.

If the key is turned to the vertical position after unlocking via the central locking system, the tailgate remains locked.

Key slot vertical in lock

The tailgate remains locked when the doors are locked or unlocked via the central locking system. Choose this position if the tailgate is to always remain locked.

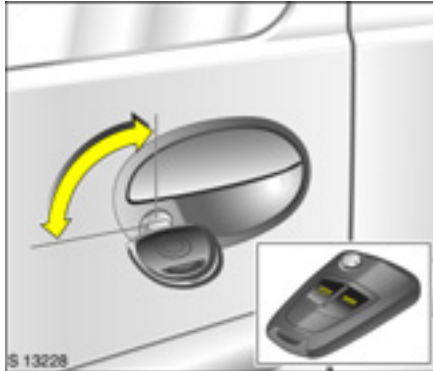


Unlocking the tailgate with the key with centrally locked doors *

Turn the key clockwise as far as possible beyond the resistance point from the vertical or horizontal position. To safeguard against being locked out, the key cannot be removed when in this position.

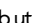
Relock the tailgate by closing it and turning the key to the horizontal or vertical position.

In the horizontal position, the tailgate will be unlocked the next time the vehicle is unlocked via the central locking system.



Rear doors*

To open

Turn the key in the lock to the vertical position or press the  button on the remote control.

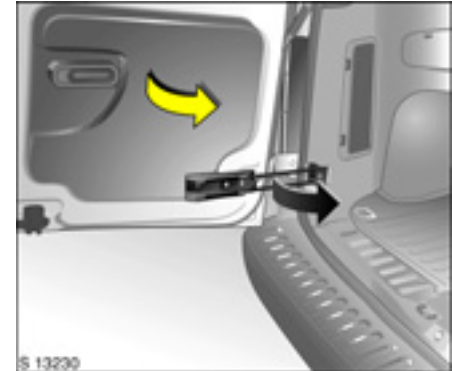
Open right-hand rear door from outside by raising door handle or from inside by pivoting handle.



Unlock and open the left-hand rear door from inside by pivoting the handle.

The doors engage at a 90° position.

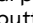
Both doors can be opened up to 180°: Close the door slightly from the 90° position, disengage the stop lug from the guide rail and open the door completely.

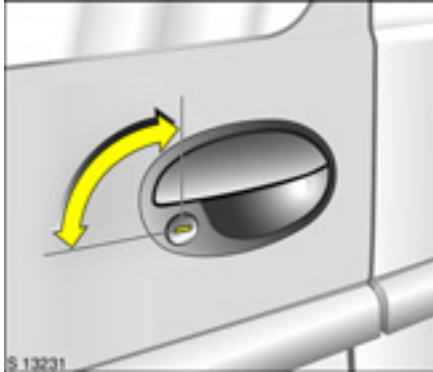


When the doors are open 180°, the rear exterior lighting is covered. Therefore, only open the doors until they engage when it is dark outside.

When closing, make sure that the stop lug properly engages in the guide rail.

To close

Push first the left and then the right rear door past slight resistance. Turn the key in the lock to the horizontal position and remove or press the  button on the remote control.



Central locking * and the rear doors

The central locking system and anti-theft locking system * for the doors cannot be operated via the rear door lock.

Key slot vertical in lock

When the central locking system is operated, the rear doors are locked or unlocked together with the side doors.

If the key is turned to the vertical position after unlocking via the central locking system, the rear doors remain locked.

Key slot horizontal in lock

The rear doors remain locked when the side doors are locked or unlocked via the central locking system. Choose this position if the rear doors are to always remain locked.



Unlocking the rear doors with the key with centrally locked side doors *

Turn the key anticlockwise as far as possible beyond the resistance point from the vertical or horizontal position and pull the handle of the rear door. To safeguard against being locked out, the key cannot be removed when in this position.

Relock the rear doors by closing them and turning the key to the horizontal or vertical position.

In the vertical position, the rear doors will be unlocked the next time the vehicle is unlocked via the central locking system.

Notes on tailgate or rear doors

- After fitting certain accessories, it might not be possible to keep the tailgate in the open position.
- The number plate can only be seen when the tailgate or rear doors are closed. Do not drive with an open tailgate or open rear doors.

⚠ Warning

Do not drive with load compartment open when transporting bulky objects, for example, since toxic exhaust fumes could penetrate the interior.

Vauxhall alarm system *

monitors

- the doors, load compartment, bonnet,
- the passenger compartment,
- vehicle tilt, e.g. if it is raised,
- the ignition.

⚠ Warning

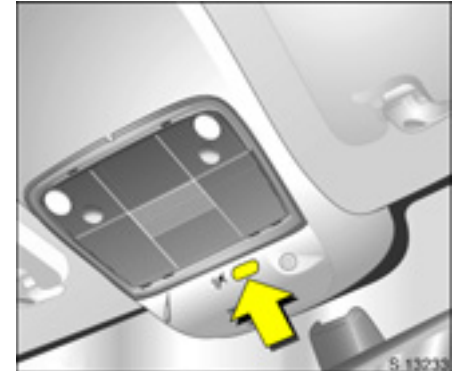
Do not activate the system if there are people in the vehicle! The doors cannot be unlocked from inside.



To activate

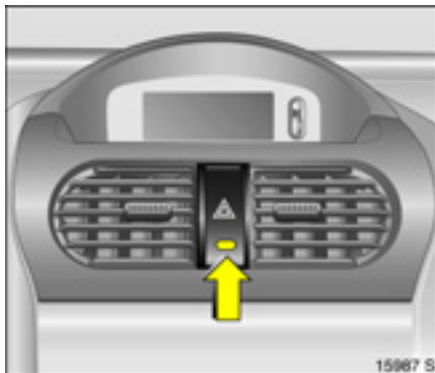
All doors, windows and the bonnet must be closed. Press the = button on the remote control again within 10 seconds of locking.

If the ignition was on, the driver's door must be opened and closed in order to activate the Vauxhall alarm system.



Activation without monitoring of passenger compartment and vehicle tilt
Switch on if, for example, you wish to leave animals in the vehicle.

1. Close load compartment and bonnet.
2. Press button in front of the courtesy light (with ignition off); LED in the hazard warning light button flashes a maximum of 10 seconds.
3. Close doors.
4. Switch on Vauxhall alarm system. LED illuminates. After approx. 10 seconds, the system is activated without monitoring of the passenger compartment or vehicle tilt. The LED flashes until the system is switched off.



Light emitting diode (LED)

During the first 10 seconds of Vauxhall alarm system activation:

- LED comes on = Test, delayed switch-on,
- LED flashes rapidly = Door, load compartment or bonnet open or system fault.


After the first 10 seconds of Vauxhall alarm system activation:

- LED flashes = System switched on, slowly
- LED illuminates for approx. 1 second = Switch-off function.

Contact a workshop for assistance if problems are encountered.

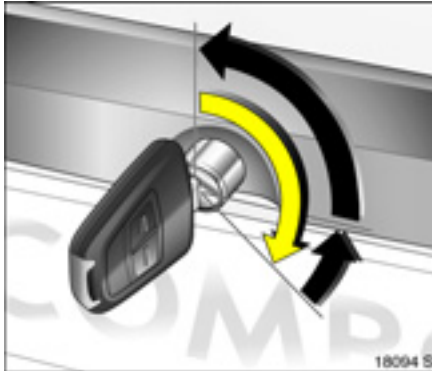


To deactivate

Press button  on radio remote control.
– or –
Switch on ignition.

If there is a fault in remote control, turn key in driver's door lock toward front of vehicle as far as it will go. Then turn key back to vertical position and remove.

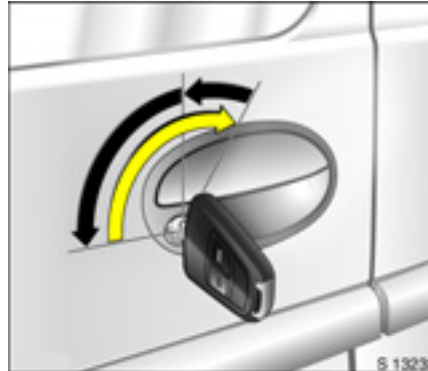
If the alarm is triggered when the driver's door is opened, deactivate the Vauxhall alarm system by switching on the ignition.



Opening and closing the load compartment * when the Vauxhall alarm system is enabled

1. To unlock:

Tailgate: Turn key clockwise all the way past the horizontal position. The tailgate is unlocked and monitoring of the passenger compartment and vehicle tilt are disabled.



Rear doors: Turn key anticlockwise all the way past the vertical position. The rear doors are unlocked and monitoring of the passenger compartment and vehicle tilt are disabled.

2. Open the tailgate or rear doors.
3. Close the tailgate or rear doors.
4. To lock: Turn key back to horizontal or vertical position. Monitoring of the interior and vehicle tilt is enabled after approx. 10 seconds.

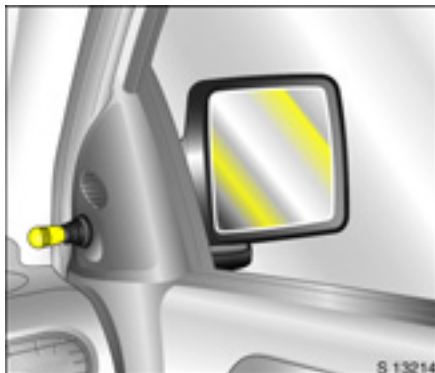
Note

- Modifications to the passenger compartment, such as fitting seat covers, could hinder the function of passenger compartment monitoring.
- Switch off passenger compartment monitoring of the interior of the parked vehicle is being heated.

Alarm

When triggered, the alarm gives off an acoustic signal (horn) and a visual signal (hazard warning flashers). The number and duration of the alarms are stipulated by legislation.

The alarm can be silenced by pressing a button on the remote control or by switching on the ignition. The Vauxhall alarm system is deactivated at the same time.

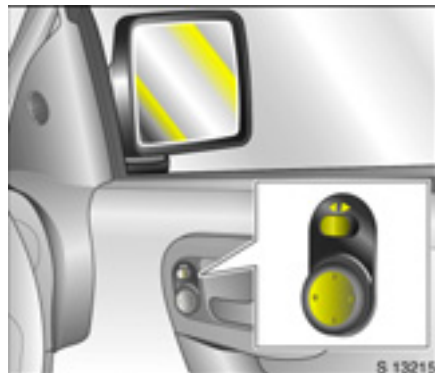


Exterior mirrors

Adjust manually using handles in the front doors or electrically * using switches in the driver's door console.

Manual exterior mirror adjustment

Adjust the exterior mirror using the handle.

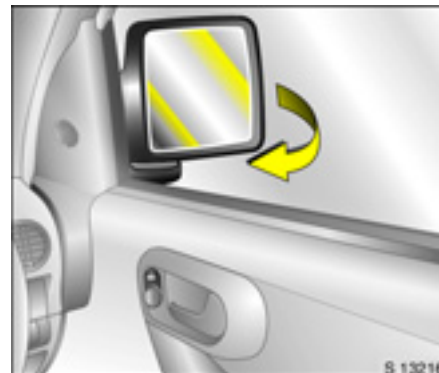


Electrical exterior mirror adjustment *

Select the corresponding exterior mirror with the rocker switch and adjust with the four-way switch.

Aspherical exterior mirror *

The aspherical mirror glass makes the blind angle smaller. The curvature makes objects look smaller, making it more difficult to estimate how far away following vehicles are.



To retract exterior mirrors

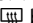
The exterior mirrors can be folded in by pressing gently on the outer edge of the housing.

Return the mirrors to the driving position before starting off.

For the safety of pedestrians, the exterior mirrors will swing out of their normal mounting position if they are bumped with sufficient force. Reposition the mirror by applying slight pressure to the mirror housing.



Heated exterior mirrors *

Heating is activated or deactivated by pressing the  button.

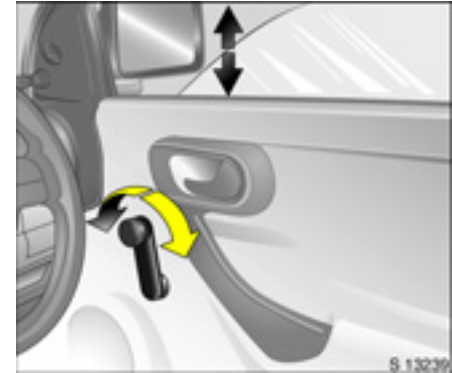
Heating is operable when the ignition is switched on.



Interior mirror

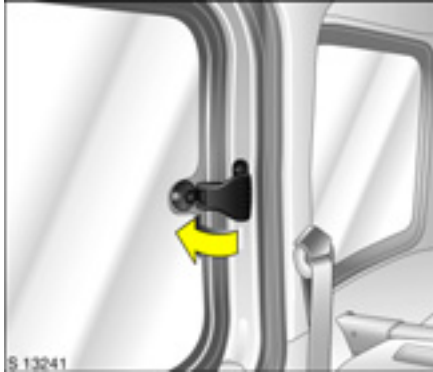
Swivel mirror housing to adjust.

To reduce dazzle, swivel the lever on the underside of the mirror housing.



Manual window operation, front doors

The door windows can be operated using window winders.



Window in the sliding doors *

- To open = Release joint and push outwards.
- To close = Pull joint and engage.

Electric windows *

⚠ Warning

Exercise care when operating electric windows. Risk of injury, especially for children.

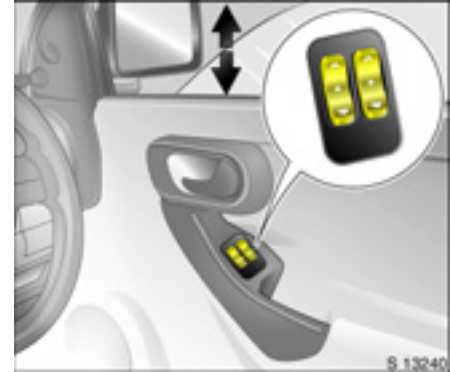
Keep a close watch on the windows when closing them. Ensure that nothing becomes trapped in them as they move.

Operational readiness

Operational when the ignition key is in position 1 in the starter switch.

Illumination of the rocker switches indicates operational readiness.

Operational readiness ceases when the driver's door is open.



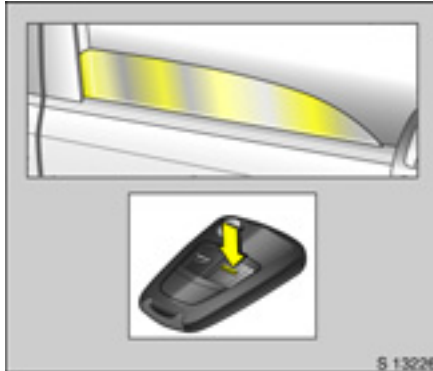
Operation

To operate the window in stages, tap the rocker switch. For a automatic opening or closing, hold the switch pressed for slightly longer; to stop window movement, tap rocker switch again.

Safety function

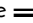
If the window glass encounters resistance above the middle of the window during automatic closing, it is immediately stopped and the window opened again.

If the windows do not move easily (e.g. due to frost), repeatedly tap the rocker switch for the window in question repeatedly until the window has been closed in stages.



Closing windows from the outside *

The windows can be closed from the outside using the remote control.

Hold the  button on the remote control depressed until the front windows are closed.

Overload

If the windows are repeatedly operated at short intervals, the power supply is briefly cut off.


Fault

If the windows cannot be opened and closed automatically, activate the window electronics as follows:

1. Close doors.
2. Switch on ignition.
3. Close the window completely and hold the rocker switch depressed for at least another 5 seconds.
4. Open the window completely and hold the rocker switch depressed for at least another 1 second.
5. Repeat for each window.



Heated rear window *

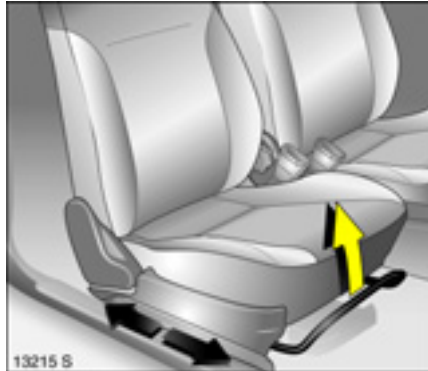
Heating is activated or deactivated by pressing the  button.

Heating is operable when the ignition is switched on.

The heated rear window automatically switches on when the diesel particle filter is being cleaned * depending on the engine.

Seats, Interior

Front seats	36
Head restraints	38
Load compartment extension	40
Lashing eyes *	42
Load compartment cover *	42
Safety net *	43
Load compartment grille *	44
Notes on loading the vehicle	45
Three-stage safety system	46
Three-point seat belts	46
Belt tensioners	48
Operation of the seat belts	50
Child restraint system *	51
Mounting clips * for ISOFIX child restraint systems	53
Airbag system	54
Use of child restraint systems *	59
Cigarette lighter *	59
Accessory socket *	59
Ashtray *	60
Stowage compartments	61
Extendable stowage trays *	62
Coin holder *	62
Sun visors	62



Front seats

⚠ Warning

Never adjust seats while driving. They may make uncontrolled movements.

Adjust longitudinal seat position

Pull the handle at the front of the seat, move the seat and then release the handle.

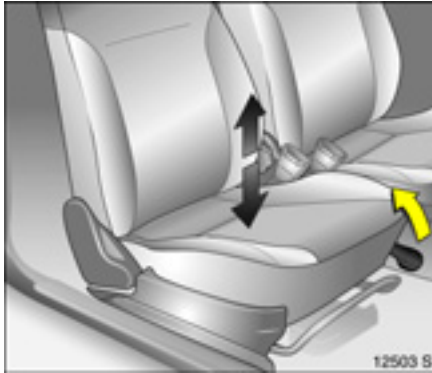
⚠ Warning

Important: Do not sit nearer than 10 inches (25 cm) from the steering wheel, to permit safe airbag deployment.



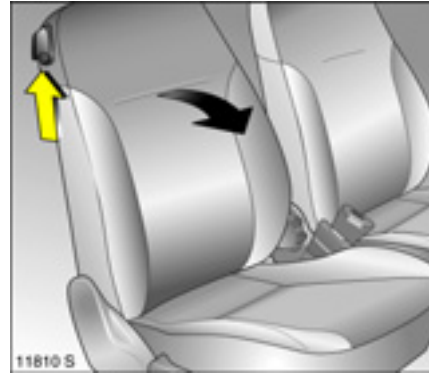
Adjusting the backrests

Take the pressure off the backrest and turn the hand wheel on the side.



Adjust height of seat

Lift lever and relieve some weight from seat to raise it or press down on seat with body weight to lower it.



Tilting the backrests forward

In order to fold the backrest forwards, lift the release lever.



Seat position

⚠ Warning

Only drive with the seat correctly adjusted.


- Sit with your buttocks as far back against the backrest as possible. Adjust the distance between your feet and the pedals so that your legs are slightly angled when pressing the pedals. Slide the passenger seat as far back as possible.


- Sit with your shoulders as far back against the backrest as possible. Set the backrest rake so that you can easily reach the steering wheel with your arms slightly bent. Maintain contact between your shoulders and the backrest when turning the steering wheel. Do not angle the backrest too far back. We recommend a maximum rake of approx. 25°.
- Adjust the steering wheel ⇨ 6.
- Set seat height * high enough to have a clear field of vision on all sides and of all display instruments. There should be at least six inches of clearance between your head and the headlining. Your thighs should rest lightly on the seat without pressing into it.
- Adjust the head restraint.
- Adjust the height of the seat belt ⇨ 50.




Heated front seats *

Two pushbuttons  in centre console.

With the ignition switched on, the heating of the applicable front seat is activated by pressing the button .

LED  on: the applicable front seat is heated.

LED  off: heating of applicable front seat is switched off.



Head restraints

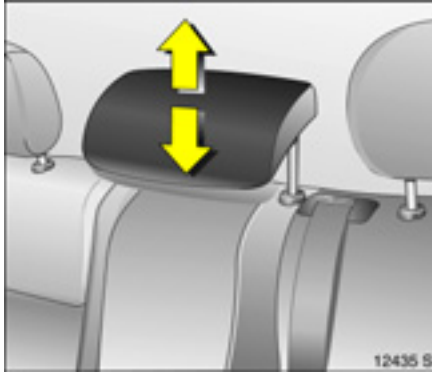
Adjusting the front and outboard rear seat head restraints *

To adjust, hold head restraint at side, tilt forward, hold and adjust height.

To improve visibility when the rear seats are unoccupied or to fold down a rear seat or the front passenger seat, push the head restraint all the way down or remove.

If the rear seats are occupied, adjust the rear head restraints to the appropriate level for the occupant's body size.

The open frame head restraint on the Combo Crew van cannot be adjusted.



Adjusting the centre rear head restraint *

To improve visibility when the centre rear seat is not occupied or to fold the backrest, press the detent springs on the guide sleeves to release the head restraint and push it all the way down.

If the centre seat is occupied, set the head restraint to the first or second position according to the height of the passenger.



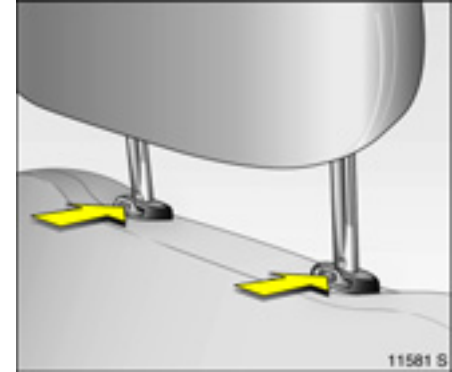
Head restraint position

⚠ Warning

Only drive with the head restraint set to the proper position.

The middle of the head restraint should be at eye level. If this is not possible for extremely tall persons, set to the highest position. Set to the lowest position for short persons.

Removal - see page ↪ 39.



Removing the head restraint

Release both catches by pressing and withdraw head restraint.

The rear, centre head restraint * cannot be removed.

Note

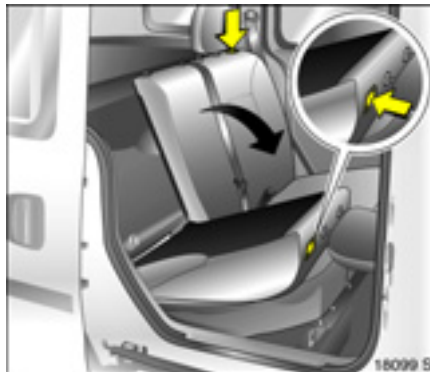
Only approved objects or components must be attached to the head restraint of the unoccupied front passenger seat.

Load compartment extension

Remove the load compartment cover * if necessary ↷ 42.

Pull out the push-in collars * for the ISOFIX child-restraint system mounting.

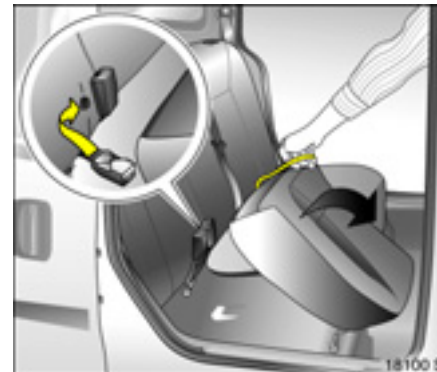
Closely follow the installation instructions accompanying the ISOFIX child restraint system.



Folding down the rear seat backrests

Push the rear, outer head restraint * down completely or remove it ↷ 38. Push the rear, centre head restraint * down completely ↷ 39.

To fold one or both of the rear seat backrests, press the button at the top to release the backrest and fold it onto the seat cushion.

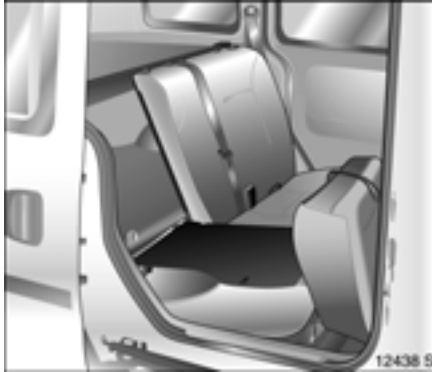


– or –

Remove the rear, outer head restraints * ↷ 38. Push the rear, centre head restraint * down completely ↷ 39.

Hook seat belt buckles on rear seat backrests.

Pull up one or both rear seat cushions using the straps provided.



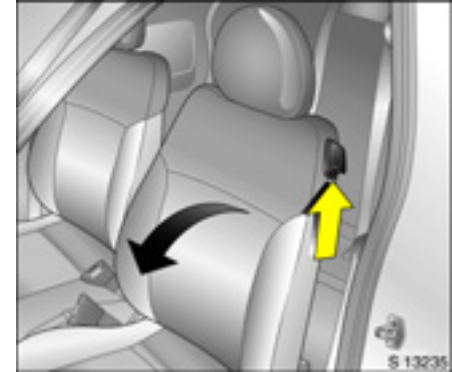
To fold one or both of the rear seat backrests, press the button at the top to release the backrest (⇨ 40, Fig. 18099 S) and fold it forward.

Repositioning the rear seats

Pull the seat belt slightly forward so that it does not get damaged and audibly engage the backrests.

Reposition the seat cushions.

Insert outer rear head restraints ✱.



Folding down the front passenger seat ✱

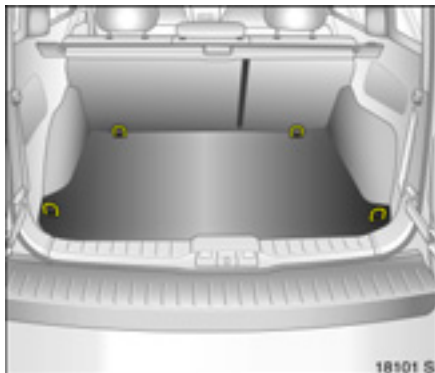
Push the passenger seat head restraint down or remove it ⇨ 38.

Slide the front passenger seat back.

Fold front passenger seat forward by raising release lever.

Restoring the front passenger seat to an upright position ✱

Press the release lever forward, fold up the front passenger seat and audibly engage.



Lashing eyes *

The four lashing eyes in the load compartment that are shown in Fig. 18101 S are used to secure objects that are being transported so that they do not slide around.

The brackets on the floor between the front seats are only used to secure the safety net * 43. They must not be used as lashing eyes.



Load compartment cover *

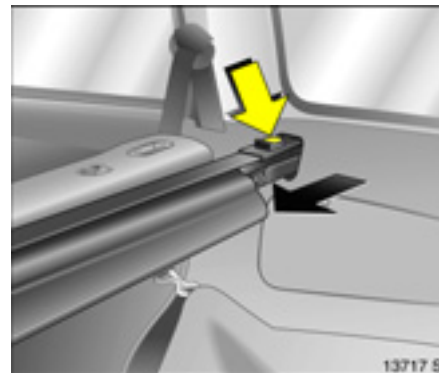
Do not place any heavy or sharp-edged objects on the cover.

To close

Pull cover towards rear of vehicle using handle and hook into side retainers.

To open

Unhooked the closed cover at the rear. It rolls up automatically.



Removing

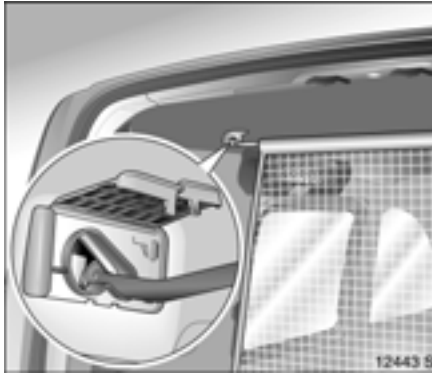
Open cover.

Press button at right side of cartridge and engage by pushing right-hand end piece to the left. Pull right side of cartridge out of retainers, followed by left side.

Fitting

With cover rolled up, push the left side of the cartridge into the retainer, followed by the right side.

Push button at right end piece of cartridge, and cartridge engages.



Safety net *

Passengers must not be carried behind the safety net.

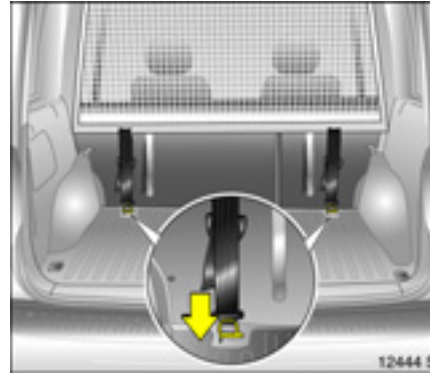
The safety net can be fitted behind the rear seats or, with the rear seat backrest folded down, behind the front seats.

Remove the load compartment cover as necessary ⇨ 42.

Unroll the safety net.

Fitting behind the rear seats

There are two installation apertures in the roof frame above the rear seats: Open the cover. Engage one side of the upper net rod in one side, extend the rod and engage in the other side. Close the cover.



Fold down both rear seat backrests.

Hook tensioning straps into lashing eyes in floor and tighten by pulling on the loose end of the strap.

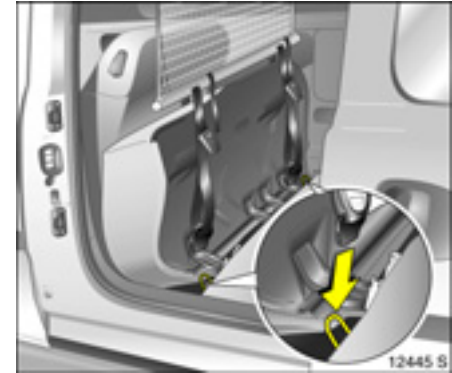
Reposition and engage the backrests.

Fitting behind front seats

Pull up both rear seat cushions and fold down rear seat backrests.

Open the cover of the installation apertures in the roof frame above the front seats. Engage the net rod in one side, extend the rod and engage in the other side. Close the cover.

Hook tensioning straps into brackets in floor and tighten by pulling on the loose end of the strap.



⚠ Warning

The brackets must not be used as lashing eyes to prevent objects that are being transported from sliding around ⇨ 42.

Removing

Swivel tensioning strap length adjusters upward and unhook straps. Open the cover. Unhook upper net rod and close cover.

Roll the safety net.



Load compartment grille *

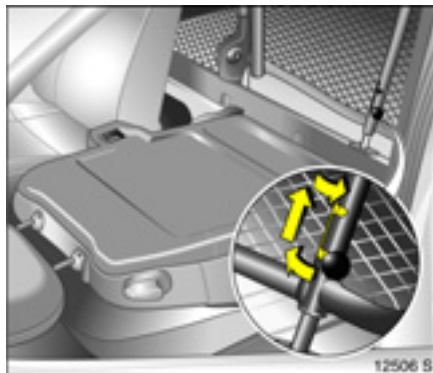
To prevent vehicle occupants from being injured by loose cargo, a load compartment grille can be installed behind the front seats.

Split load compartment grille *

To enlarge the load compartment, the grille can be moved forwards on the front passenger's side.

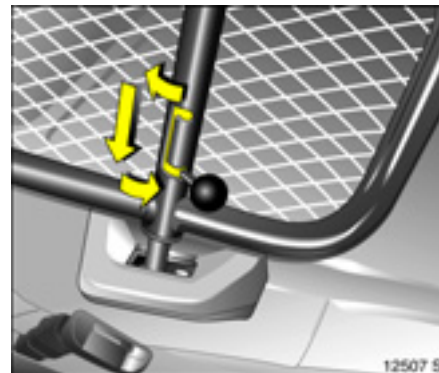
Push the head restraint of the front passenger seat down as far as it will go
 ↻ 38.

Tilt front passenger's seat backrest forward by raising release lever and push down to lock in position.



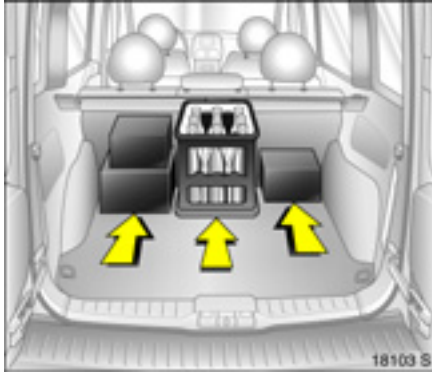
Engage lever on load compartment grille at top position, as shown in Fig. 12506 S. Engaging the lever prevents damage to the front passenger's seat.

Position load compartment grille above retainer in front passenger's seat backrest.



Lock load compartment grille in retainer. To do so, engage lever at bottom position, as shown in Fig. 12507 S.

⚠ Warning
The load compartment grille must always be locked in one of the retainers when the vehicle is in use, and the lever must be engaged at its bottom position.



Notes on loading the vehicle

- Heavy objects in the load compartment should be placed as far forward as possible against the rear seat backrests or, if the rear seat backrests are folded down, against the front seat backrests. If objects are to be stacked, the heavier objects should be placed at the bottom.
- Secure heavy objects with lashing straps * attached to lashing eyes * ⇨ 42.
- When transporting objects with the backrests folded down, install the safety net * ⇨ 43.
- Close the load compartment cover *.

- If the seat backrests are not folded down when transporting objects in the load compartment, the backrests must be fully upright and engaged in position ⇨ 40.
- Do not allow the load to protrude above the upper edge of the backrests.
- The warning triangle * and first-aid kit (cushion) * must always be freely accessible.
- Do not place any objects in front of the rear window or on the instrument panel.
- No objects must be placed in the area in which the airbags inflate, as they could cause injury when the systems are deployed.
- The load must not obstruct the operation of the pedals, handbrake and gear selector, or hinder the freedom of movement of the driver. Do not place any unsecured objects in the interior.
- Do not drive with load compartment open when transporting bulky objects, for example, since toxic exhaust fumes could penetrate the interior.
- The payload is the difference between the permitted gross vehicle weight (identification plate ⇨ 171) and the EC kerbweight.
- To calculate the EC kerbweight, enter the data for your vehicle on page 177.

- The EC kerbweight includes allowances for the driver (68 kg), load (7 kg) and all fluids (tank 90% full).
- Optional equipment and accessories increase the kerb weight.
- Weights and payload ⇨ 177.
- Driving with a roof load increases the sensitivity of the vehicle to cross-winds and has a detrimental effect on vehicle handling due to the vehicle's higher centre of gravity. Distribute the load evenly and secure it properly with retaining straps. Adjust the tyre pressure to the load conditions. Do not drive faster than 75 mph (120 km/h). Check and retighten the straps frequently. Observe country-specific regulations.
- The permissible roof load is 100 kg. The roof load consists of the weight of the roof rack plus the load carried.
- If objects are transported in the load compartment, the split load compartment grille * must always be locked in one of the retainers and the lever must be engaged at its bottom position ⇨ 44.
- When stowing objects in the stowage compartment above the front seats, secure against falling out.

Three-stage safety system

Comprising:

- three-point seat belts,
- belt tensioners at the front seats,
- airbag systems for driver and front passenger ✱.

The three stages are activated in sequence depending on the severity of the accident:

- The automatic seat belt locking devices prevent the belt strap from being pulled out and thus ensure that the vehicle occupants are retained in their seats.
- The seat belts of the front seats are pulled downwards at the belt buckles. This tightens the seat belt, the occupants are slowed down at an early stage of vehicle deceleration and stress on the body is reduced.
- The airbag systems are also triggered in the event of severe accidents and form a safety cushion for the occupants.

⚠ Warning

The airbag systems serve to supplement the three-point seat belts and belt tensioners. The seat belts must therefore always be worn. Disregard of these instructions may lead to injuries or endanger life. Vehicle passengers should be informed accordingly.

Carefully follow the instructions accompanying the child restraint system.



Three-point seat belts

The seat belts have an automatic retractor, so that the belt is spring tensioned and always lies against the body.

Information on the correct seat position
⇨ 37.

The belts are locked during heavy acceleration or deceleration of the vehicle. This prevents the seat belt from extending, keeping the occupant in his or her seat.

⚠ Warning

Fasten your seat belt before each trip.
In the event of an accident, persons not wearing seat belts endanger their fellow occupants and themselves.

Seat belts are only designed for use by one person at a time. They are not suitable for persons younger than 12 years of age or smaller than 150 cm.

For children up to 12 years of age, we recommend the Vauxhall child restraint system ↪ 51.

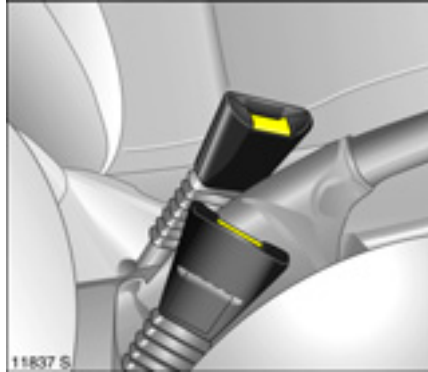
Checking the seat belts

From time to time, check the functionality of all seat belt system components and check for damage. Have damaged components replaced. Have seat belts and deployed belt tensioners replaced in a workshop after an accident.


Make sure that seat belts are not damaged or trapped by sharp objects.

Belt tensioners

In the event of a head-on or rear-end collision of a certain severity, the front seat belts are pulled down at the buckles and thereby tightened.





Actuation of belt tensioners


is indicated by illumination of control indicator ; see next column.

Triggered belt tensioners must be replaced by a workshop. Belt tensioners can only be triggered once.



Control indicator for belt tensioners

The functionality of the belt tensioner system is monitored electronically together with the airbag systems and indicated via control indicator . When the ignition is switched on, the control indicator comes on for approx. 4 seconds. If it does not come on, does not go out after 4 seconds or comes on while driving, there is a fault in the belt tensioner system or the airbag systems  57. The systems may fail to deploy in the event of an accident.

Triggered belt tensioners are indicated by steady illumination of .

⚠ Warning

Have cause of fault remedied immediately by a workshop.

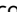
The system's integrated self-diagnostics allows faults to be quickly remedied.

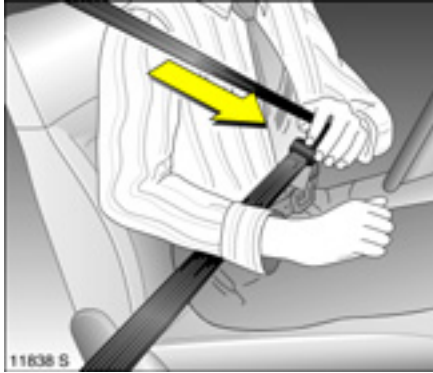
Important

- Do not affix or place accessories or other objects within the deployment zone of the belt tensioners (in the area of the belt buckle). Do not make any modifications to belt tensioner components and the inertia reel device because this will invalidate the vehicle type approval.

⚠ Warning

Incorrect handling (e.g. removal or fitting of seat belts or belt buckles) can cause the belt tensioners to deploy, with risk of injury.

- The belt tensioner and airbag system control electronics can be found in the centre console area. In order to avoid malfunctions, do not store magnetic objects in this area.
- When using the rear seat, make sure that the components of the front seat belt are not damaged by shoes or other objects. Not dirt must get into the inertia reel of the seat belt.
- We recommend that you have the seats removed by a workshop.
- The belt tensioners only deploy once, which can be detected by illumination of the control indicator . Have deployed belt tensioners replaced by a workshop.
- The applicable safety regulations must be adhered to when the vehicle is disposed of. The vehicle should therefore be disposed of by a recycling company.



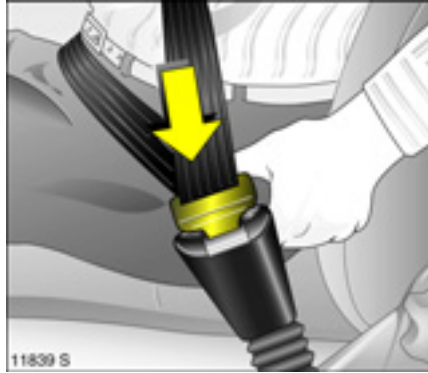
Operation of the seat belts

Fitting seat belts

The seat belt must not be twisted and must lie snugly against the body. The backrest must not be tilted back too far (maximum approx. 25°).

Adjust the height so that the belt lies across the shoulder. It must not lie across the throat or upper arm.

Pull the belt out of the reel, guide it across the body (making certain it is not twisted) and engage the latch plate in the buckle. Tension the lap belt frequently whilst driving by tugging the shoulder belt.



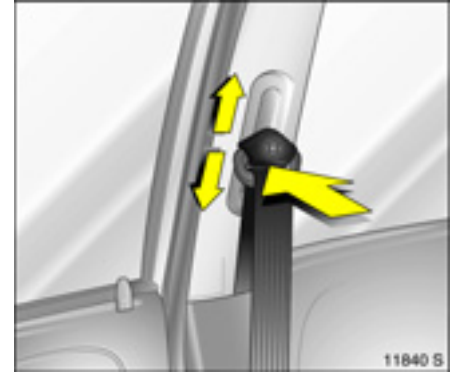
⚠ Warning

On pregnant women in particular, the lap belt must be positioned as low as possible across the pelvis so as not to put too much pressure on the abdomen.

Loose or bulky clothing prevents the seat belt from fitting snugly. Do not place objects such as handbags or mobile phones between the belt and your body.

⚠ Warning

The seat belt must not rest against hard or fragile objects in the pockets of your clothing.



Height adjustment

Adjusting the height of the upper anchorage point of the front seat belts:

1. Pull out the seat belt slightly.
2. Press belt guide or push button down.
3. Set desired height.
4. Allow to lock audibly into position.

Do not adjust height while driving.

**Removing the belt**

To release the seat belt, press the red button on the belt buckle.

Child restraint system *

Follow the usage instructions for the child restraint system.

Always comply with local or national regulations. In some countries, the use of child restraint systems is forbidden on certain seats.

Selecting the right system

Your child should be transported facing the rear in the vehicle for as long as possible.

The very weak neck area of a child will be under less stress in an accident if your child is facing the rear and semi-horizontal, than when they are sitting upright.

⚠ Warning

Child restraint systems must not be carried on a passenger's lap. Danger to life.

Permissible options for fitting a child safety seat

Weight and age class ¹⁾	On front passenger seat	On an outboard seat in the rear row of seats	On middle seat ²⁾ in the rear row of seats
Group 0: up to 10 kg or approx. 10 months	X	U+	U
Group 0+: up to 13 kg or approx. 2 years			
Group I: 9 to 18 kg or approx. 8 months to 4 years	X	U+	U
Group II: 15 to 25 kg or approx. 3 to 7 years	X	U	U
Group III: 22 to 36 kg or approx. 6 to 12 years			

- X = Child restraint systems are not to be used on the front passenger seat.
- U = universally suitable in conjunction with three-point seat belt.
- + = Vehicle seat with ISOFIX mounting available. Only the ISOFIX child restraint systems that are approved for the vehicle must be used when mounting with ISOFIX.

¹⁾ We recommend the use of each system until the child reaches the upper weight limit.

²⁾ For reasons of safety, we recommend that the child safety seat be installed on one of the outer rear seats.

Note

- Children under 12 years of age or under 150 cm tall must only travel in an appropriate child restraint system on the seats in the rear row ✱.
- When transporting children, use the child restraint systems suitable for the child's weight.
- Be sure that child restraint systems are properly installed - see the instructions accompanying the child restraint system.

- The covers of the Vauxhall child restraint system can be wiped clean.
- Do not stick anything on the child restraint systems and do not cover them with any other materials.
- Only allow the child to enter and exit on the side of the vehicle facing away from the road.
- A child restraint system which has been subjected to stress in an accident must be replaced.
- Secure or remove child restraint systems that are in the vehicle but not in use.

Mounting clips ✱ for ISOFIX child restraint systems

The mounting eyes for the ISOFIX child restraint system are located on the rear, outer seats ✱ between the seat back and the seat cushion.

Fasten permitted ISOFIX child restraint systems to the mounting brackets.

Closely follow the installation instructions accompanying the ISOFIX child restraint system.



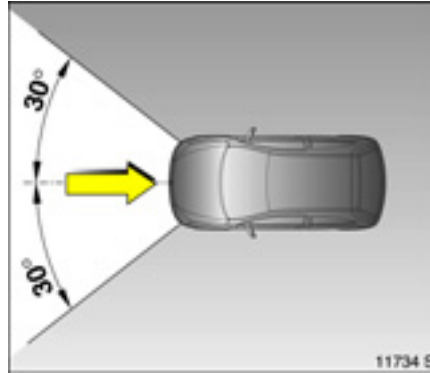
Airbag system

Front airbag

The front airbag system consists of one airbag in the steering wheel and one in the instrument panel. These can be identified by the word **AIRBAG**.

The front airbag system comprises:

- an airbag with inflator in the steering wheel and a second one in the instrument panel ✱,
- the control electronics with impact sensor,
- the control indicator for airbag systems ✱ in the instrument,



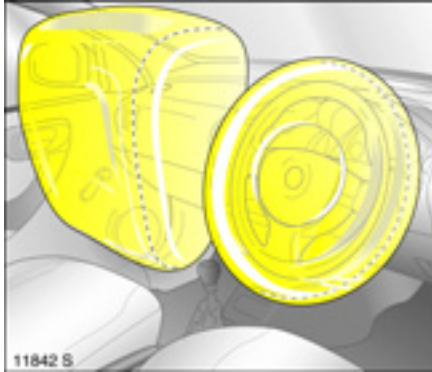
The front airbag system will be triggered:

- depending on the severity of the accident,
- depending on the type of impact,
- within the range shown in Fig. 11734 S,
- independently of the side airbag system ✱.

The ignition must be switched on.

Examples of events triggering the front airbag system:

- Impact against a non-yielding obstacle: the front airbags are triggered at low vehicle speed.
- Impact against a yielding obstacle: (such as another vehicle): the front airbags are only triggered at a higher vehicle speed.



When triggered, the front airbags inflate in milliseconds to form a safety cushion for the driver and front passenger. The forward movement of the front seat occupants is checked, thereby substantially reducing the risk of injury to the upper body and head.

No impairment of view will occur, because the airbags inflate and deflate so quickly that it is often not even noticed in an accident.



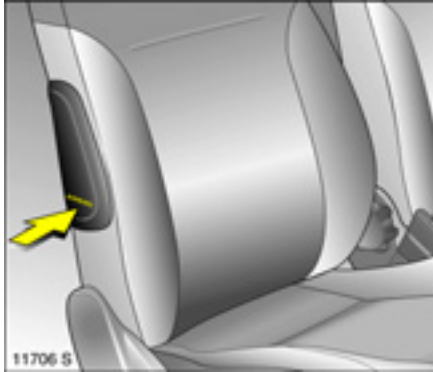
⚠ Warning

Optimum protection is only provided with the seat in the proper position ↪ 37. Keep the area in which the airbag inflates clear of obstructions. Wear the three-point seat belt properly fastened. The front airbag system is an additional safety device, not a replacement for your seat belt.



The front airbag system will not be triggered in the event of


- the ignition is switched off,
 - minor frontal collisions,
 - accidents in which the vehicle overturns,
 - collisions involving a side or rear impact,
- that is to say, if it would not be of benefit to the occupants.

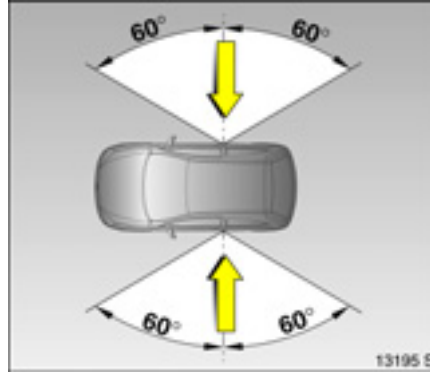


Side airbag *

The side airbag system consists of an airbag in each front seat backrest. This can be identified by the word **AIRBAG**.

The side airbag system comprises:

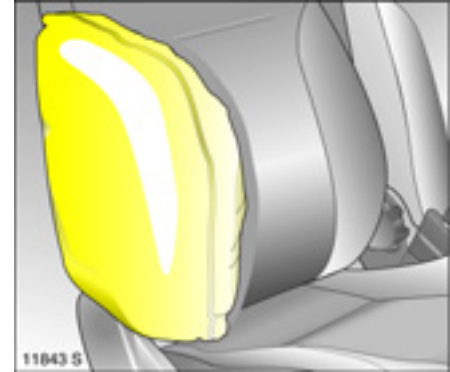
- an airbag with inflator in the back of the driver's and front passenger seat respectively,
- the control electronics,
- the side impact sensors,
- the control indicator for airbag systems  in the instrument.



The side airbag system will be triggered:

- depending on the severity of the accident,
- depending on the type of impact,
- within the range shown in Fig. 13195 S on the centre door pillar of the driver's or front passenger side,
- independently of the front airbag system.

The ignition must be switched on.



When triggered, the side airbag inflates in milliseconds to form a safety cushion for the driver or front passenger in the respective door area. This substantially reduces the risk of injury to the upper body in the event of a side-on collision.


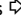
⚠ Warning

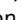
Keep the area in which the airbag inflates clear of obstructions.

The side airbags will not be triggered in the event of

- the ignition is switched off,
- frontal collisions,
- accidents in which the vehicle overturns,
- collisions involving a rear impact,
- collisions involving a side impact outside the passenger cell.

**Control indicator  for airbag systems**

The functionality of the airbag system is monitored electronically together with the belt tensioner system and indicated via control indicator . When the ignition is switched on, the control indicator comes on for approx. 4 seconds. If it does not come on, does not go out after 4 seconds, or it comes on while driving, there is a fault in the airbag tensioner system or in the belt tensioner systems  48. The systems may fail to deploy in the event of an accident.

Triggered airbag systems are indicated by steady illumination of .

⚠ Warning

Have cause of fault remedied immediately by a workshop.

The system's integrated self-diagnostics allows faults to be quickly remedied.

Important

- No objects or accessories must be placed in the area in which the airbags inflate, as they could cause injury when the components are deployed.
- Do not place any objects between the airbag systems and the vehicle occupants. Danger of injury. Do not install a child restraint system * on the front passenger seat. Danger to life.

⚠ Warning

As with any other object, child restraint systems must not be carried on a passenger's lap. Danger to life.

- Use the hooks in the roof frame only to hang up light articles of clothing or coat hangers. Do not place any objects in the pockets of the hanging items – risk of injury.
- The airbag systems and belt tensioner control electronics can be found in the centre console area. In order to avoid malfunctions, do not store magnetic objects in this area.

- Do not stick anything on the steering wheel, instrument panel or front seat backrests in the vicinity of the airbags. Do not cover any of these areas with other materials.
- Use only a dry cloth or interior cleaner to clean the steering wheel, instrument panel and front seat backrests. Do not use any aggressive cleaning agents.
- Only protective covers which are approved for your vehicle with side airbag may be fitted on the front seats. When fitting the protective covers, make sure that the airbag units on the outboard sides of the front seat backrests are not covered.
- The airbag systems are triggered independently of one another depending on the severity of the accident and type of impact.
- Each airbag is only deployed once. Have deployed airbags replaced by a workshop immediately.
- The speeds, directions of movement and deformation properties of the vehicles, and the properties of the obstacle concerned, determine the severity of the accident and triggering of the airbags. The degree of damage to your vehicle and the resulting repair costs alone are not indicative that the criteria for triggering of the airbags were met.

- Do not perform any alterations on the components of the airbag system, as this would render the vehicle unroadworthy.

⚠ Warning

If handled improperly the airbag systems can be triggered in an explosive manner – risk of injury!

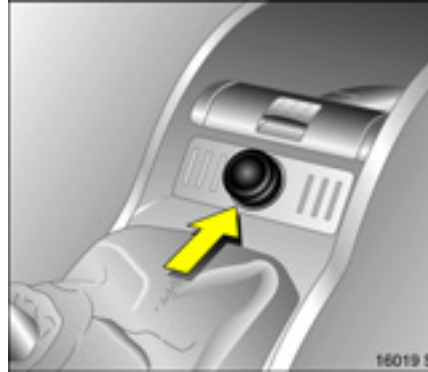
- We recommend having the steering wheel, the instrument panel, all panelling parts, the door seals, the handles and the seats removed by a workshop.
- The applicable safety regulations must be adhered to when the vehicle is disposed of. The vehicle should therefore be disposed of by a recycling company.
- Anyone weighing less than 35 kg should seat in the rear seat.

Use of child restraint systems ***⚠ Warning**

No child restraint system * may be installed on front passenger seat. Danger to life.

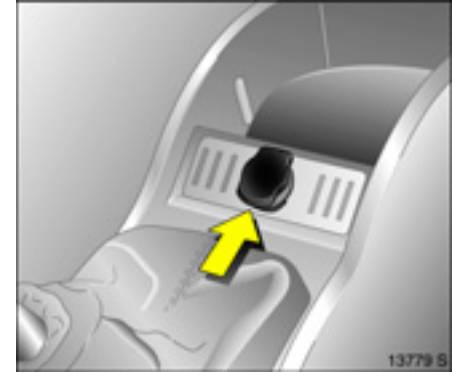
Child restraint systems must only be installed on the seats of the rear row *.

On versions without rear row of seats, no child restraint system may be installed on the front passenger seat.

**Cigarette lighter ***

The cigarette lighter is in the centre console.

With the ignition on, press in the cigarette lighter. It switches off automatically when element is hot. Pull out the cigarette lighter.

**Accessory socket ***

The accessory socket is in the centre console.

The accessory socket or cigarette lighter socket can be used to connect electrical accessories.

The socket is operational when the ignition is switched on. Use of the socket discharges the battery if the engine is not running.

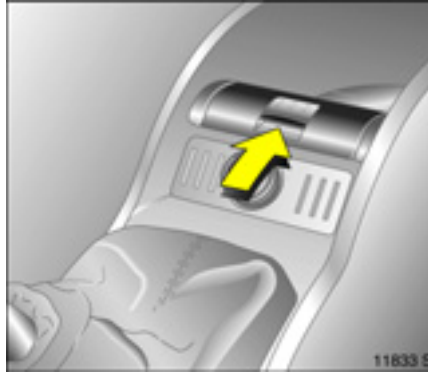
Caution

Do not damage the sockets by using unsuitable plugs.

Do not exceed the maximum power consumption of 120 watts.

Electrical accessories connected to the socket must comply with the electromagnetic compatibility requirements laid down in DIN VDE 40 839, otherwise vehicle malfunctions may occur.

Do not connect any current-delivering accessories, e.g. electrical charging devices or batteries.



Ashtray *

Caution

To be used only for ash and not for combustible rubbish.

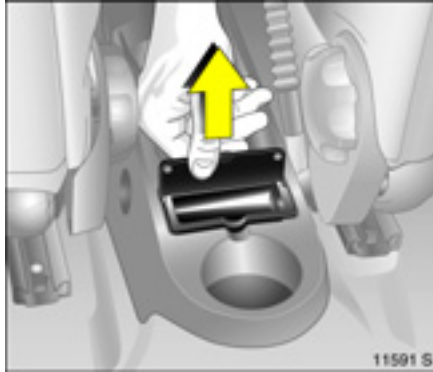
Front ashtray *

Open the ashtray cover to the resistance point.



To empty, open the ashtray cover fully beyond its resistance point, causing the insert to lift. Grip both sides of the ashtray insert and pull upwards.

To enlarge the storage compartment remove the ashtray completely.

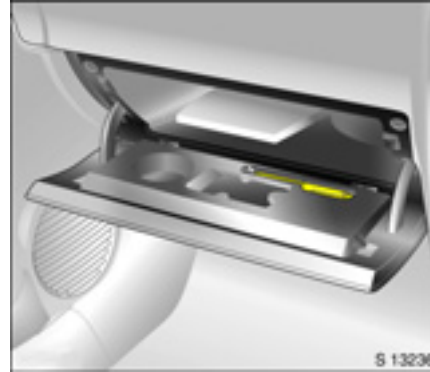


Rear ashtray*

In the rear centre console.

To open, swivel the cover upwards.

To empty, lift the cover and pull the ashtray out upwards by its cover.



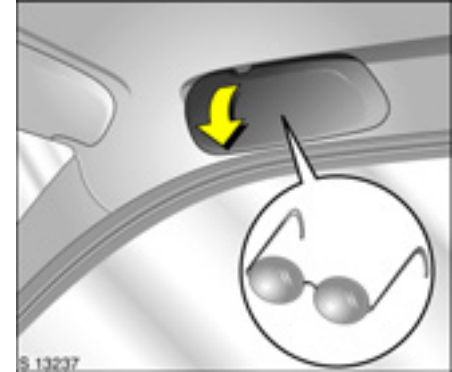
Stowage compartments

Glove compartment

To open, pull handle.

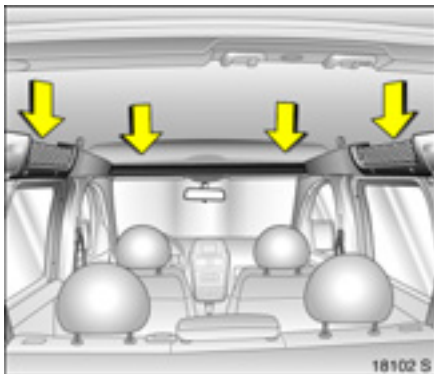
On the inside of the glove compartment cover there is a pen holder.

The glove compartment should remain closed while driving.



Stowage compartment for glasses*

On driver's side: fold down to open.



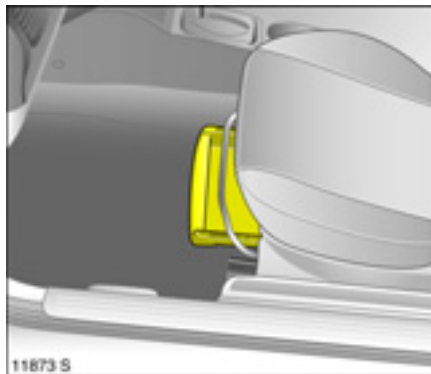
Stowage compartment in roof above the front seats and side mesh pockets above the sliding doors *

The stowage compartment above the front seats can hold a maximum load of 15 kg.

The mesh packets above the doors can only hold light objects.

⚠ Warning

Secure objects to prevent them from falling out and causing injury.



Stowage compartment * beneath passenger seat

Lift stowage compartment by grasping the recessed edge and pull it out. Maximum load: 1 kg. To close the stowage compartment, push it in and engage.

Extendable storage trays *

The extendable storage trays are located in the front seat backrests.

To unfold, pull upwards until it engages.

To fold away, press downwards past the resistance.

Do not play heavy objects on the tray.



Coin holder *

In the centre console.

Sun visors

Use the sun visor to protect from glare by pulling it down and swivelling it to the side.

Instruments

Control indicators 63
 Instrument display 68
 Information display 72
 Warning buzzers..... 78
 Windscreen wiper 78



Control indicators

The control indicators described here are not present in all vehicles. The description applies to all instrument versions.

The colours of the control indicators mean:

- Red Danger, important reminder,
- Yellow Warning, information, fault,
- Green Switch-on confirmation,
- Blue Switch-on confirmation.



Front fog lights *

Control indicator illuminates green

Illuminates when the front fog lights are on ⇨ 82.



Engine electronics, transmission electronics *, immobiliser, diesel fuel filter *

Control indicator illuminates and/or flashes yellow

It illuminates for a few seconds when the ignition is switched on.

Illuminates when the engine is running
 Fault in engine electronics or transmission electronics. Electronics switch to emergency running programme, fuel consumption may increase and driveability of vehicle may be impaired ⇨ 109. If the fault is not remedied by re-starting, contact a workshop for assistance immediately.

In vehicles with diesel engines, it may be necessary to drain the diesel fuel filter ⇨ 166.



Flashes when the ignition is on
Fault in the electronic immobiliser system; the engine cannot be started ↪ 19.



Exhaust emission

Control indicator illuminates and/or flashes yellow

It illuminates when the ignition is switched on and goes out shortly after the engine starts.

Illuminates when the engine is running
Fault in emission control system. The permissible emission limits may be exceeded. Contact a workshop for assistance immediately.

If it flashes when the engine is running:
Fault that could lead to catalytic converter damage. Ease up on the throttle until the flashing stops ↪ 109. Seek the immediate assistance of a workshop.



Airbag systems ✱, Belt tensioners

Control indicator illuminates red

Illuminates when the engine is running
Fault in the airbag or belt tensioner system ↪ 48, ↪ 57.



Engine oil pressure

Control indicator illuminates red

It illuminates when the ignition is switched on and goes out shortly after the engine starts.

Illuminates when the engine is running

Caution

Engine lubrication may be interrupted. This may result in damage to the engine and/or locking of the drive wheels.

1. Move out of the flow of traffic as quickly as possible without impeding other vehicles.
2. Depress clutch ✱.
3. Set manual transmission to neutral, or with Easytronic ✱ place selector lever in **N**.
4. Switch off ignition.

Warning

When the engine is off, considerably more force is needed to brake and steer. Do not remove key until vehicle has come to a standstill, otherwise the steering column lock could engage unexpectedly.

Contact a workshop for assistance.



Turn signal lights

Control indicator flashes green.

The control indicator flashes if a turn signal or the hazard warning flashers are activated.

Rapid flashing: light or associated fuse has failed.

Replacing bulbs ⇨ 144. Fuses ⇨ 138.



Main beam

Control indicator illuminates blue.

It is illuminated when main beam is on and during headlight flash ⇨ 81.



Preheating ❄, diesel particle filter ❄

Control indicator illuminates and/or flashes yellow

Illuminated

Preheating activated. Only activates when outside temperatures are low.

Flashes

(in vehicles with diesel particle filter)

Control indicator ❄ flashes if the filter requires cleaning and previous driving conditions did not permit automatic cleaning. Continue driving and if possible do not allow engine speed to drop below 2000 rpm.

The control indicator ❄ goes off as soon as the self-cleaning operation is complete.

Diesel particle filter ⇨ 110.



Winter programme of Easytronic❄

An indicator light illuminates in the transmission display if the Winter programme is activated ⇨ 99.



Fog tail light

Control indicator illuminates yellow.

Illuminates when the fog tail light is on
↪ 82.



Alternator

Control indicator illuminates red

It illuminates when the ignition is switched on and goes out shortly after the engine starts.

Illuminates when the engine is running
Stop and turn engine off. battery is not charged. Engine cooling may be interrupted. Contact a workshop.



Brake system, clutch system *

Control indicator illuminates or flashes red.

Illuminated

Illuminates when the ignition is switched on if the handbrake is applied ↪ 113.

Illuminates when the handbrake is released if the fluid level for the brake or clutch system * is low ↪ 168.

⚠ Warning

Stop. Do not continue your journey.
Consult a workshop.

Flashes

On vehicles with Easytronic *, control indicator (ⓘ) flashes for a few seconds after the ignition is switched off if the handbrake has not been applied.



Anti-lock brake system *

Control indicator illuminates red

Illuminates while driving

Fault in the anti-lock brake system ↪ 112.



Engine oil level *

Control indicator illuminates yellow.

The engine oil level is checked automatically.

Illuminates when the engine is running

Engine oil level too low. Check engine oil level and top up engine oil if necessary ↪ 164.

EPS¹⁾

Electric power steering *

Control indicator illuminates yellow.

Fault in the electric power steering. It is still possible to drive. Although it is still possible to steer the vehicle, it is significantly more difficult. Contact a workshop for assistance.

¹⁾ EPS = Electric Power Steering.



Fuel level *

Control indicator illuminates and/or flashes yellow

Illuminates

Level in fuel tank too low.

Flashes

Fuel level is used up, fuel immediately.

Never let the tank run dry!

Erratic fuel supply can cause the catalytic converter to overheat ↪ 108.

Diesel engines: Bleed the fuel system if the fuel tank is allowed to run dry ↪ 121.



Instrument display

Tachometer

Displays the engine rpm.

Drive in a low engine speed range for each gear as much as possible.

Caution
If the pointer is in the warning zone, the maximum permitted engine speed is exceeded. Engine at risk.

Speedometer

Speed display.

Mileage display

With the ignition switched off, briefly press the reset knob to display the number of miles driven for approx. 15 seconds.

Top line:

Trip odometer

Displays the number of miles since the gauge was reset.

To reset, press button with ignition switched on and trip odometer activated and hold down for approximately one second.

Vehicles with clock in odometer

To reset, press button with ignition switched on and trip odometer activated and hold down for a approximately 2 seconds.

To switch between trip odometer and clock display * give reset knob a brief press – see next page.

Bottom line:

Odometer

Records the number of miles.

Service interval display ↻ 162.



Time display in odometer *

To switch between trip odometer and time display * give reset button a short press.

When the vehicle lights are on, the brightness of the display can be adjusted using the right-hand adjuster wheel Ⓢ below the light switch Ⓢ 83.

Setting the time

On the clock display, press the setting knob on the instrument for approx. 2 seconds. The flashing value is set by pressing briefly. Press for about 2 seconds again to switch to the next setting and at the end to exit setting mode.



Coolant temperature display

Coolant temperature gauge.


- Pointer in zone at left = Engine operating temperature not yet reached
- Pointer between the zones = Normal operating temperature
- Pointer in right zone (warning zone) = Temperature too high: Stop the vehicle and switch off the engine. Danger to engine. Check coolant level immediately ↪ 166.

For physical reasons, the engine temperature gauge shows the coolant temperature only if the coolant level is adequate.

During operation the system is pressurised. The temperature may therefore rise briefly to over 100 °C.



Fuel gauge

Control indicator  illuminates when the level is low. Refuel immediately if the control indicator begins to flash.

Never run the tank dry!

Because of the fuel remaining in the tank, the amount of fuel required to fill the tank may be less than the specified tank capacity.



Transmission display *

Display of current gear or mode with Easytronic *.

- R** Reverse gear
- N** Neutral
- A** Automatic mode for Easytronic
- 1-5** Manual mode, current gear with Easytronic

Easytronic * ⇨ 96.



Service display *

If it illuminates in the odometer display, book vehicle into a workshop as soon as possible for a service with maintenance.

Maintenance, inspection system ⇨ 162.

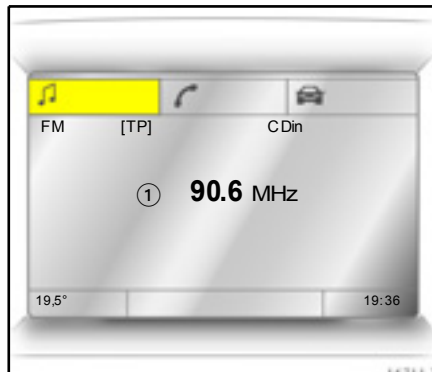


Information display

Triple information display ❄

Display of time, outside temperature and date/infotainment system (when it is on).

When the ignition is off, the time, date and outside temperature can be displayed by briefly pressing one of the two buttons adjacent to the display.



Graphical Information Display ❄

Display of time, outside temperature and date/infotainment system (when it is on).

The type of information and how it is displayed depend on the equipment of the vehicle and the settings made.

Some information appears in the display in an abbreviated form.



Outside temperature

A fall in temperature is indicated immediately and a rise in temperature after a time delay.

If outside temperature drops below 3 °C, the symbol ❄ appears in the triple information display as a warning for icy road conditions. When temperature increases to at least 5 °C, the ❄ symbol goes out.



In vehicles with graphical information display *, **Slippery road** is shown in the display as a warning for icy road surfaces. There is no message below -5°C .

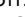

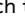
Warning

Caution: The road surface may already be icy even though the display indicates a few degrees above 0°C .




Triple information display

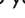



Set date and time

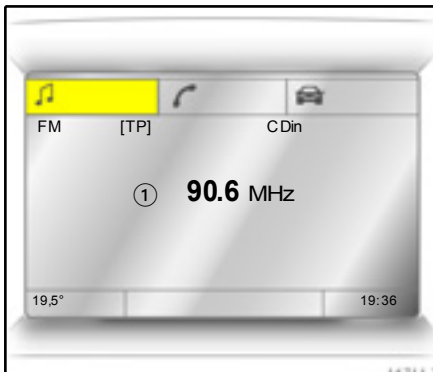
The infotainment system * must be off. Activate setting mode by holding the  button depressed for about 2 seconds. The flashing value is adjusted using the  button. The  button is used to switch to the next unit and to exit setting mode.

Automatic time synchronisation *

The RDS signal of most VHF transmitters automatically sets the time. This can be identified by  in the display.

Some transmitters do not send a correct time signal. In such cases, we recommend that you switch off automatic time synchronisation.

Activate setting mode and set it to year setting. Hold the  button depressed about 3 seconds until  flashes in the display and "RDS TIME" appears. The function is activated (RDS TIME 1) or deactivated (RDS TIME 0) with the  button. Exit setting mode using the  button.



Graphical information display *, selecting functions

The graphical information display depicts functions and their menus.

Functions are selected and executed in the menu on the display using the four-way button on the display using the four-way button, the multi-function button * on the infotainment system or the buttons * on the steering wheel.



To select with four-way button

Select menu items via menus and with the buttons/four-way button of the infotainment system.



To select with multi-function button *

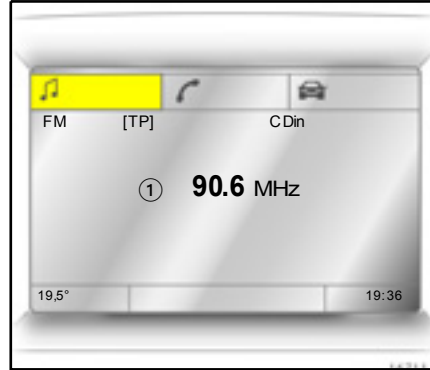
Turn the multi-function button to highlight menu items or commands and to select function areas.

Press the multi-function button to select the highlighted item or confirm a command.

To exit a menu, turn the multi-function button left or right to **Return** or **Main** and select.



To select with steering wheel buttons *
Select menu options via the menus using the buttons.

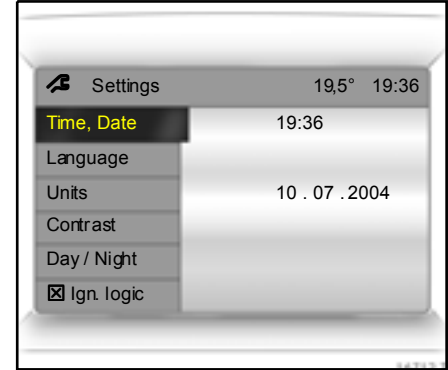


Function ranges

Each function has a main page, which is selected from the upper row of the display (not in Infotainment system CD 30):

- Audio,
- Navigation *
- Telephone *.

For audio, navigation * and telephone functions *, see infotainment system instructions.



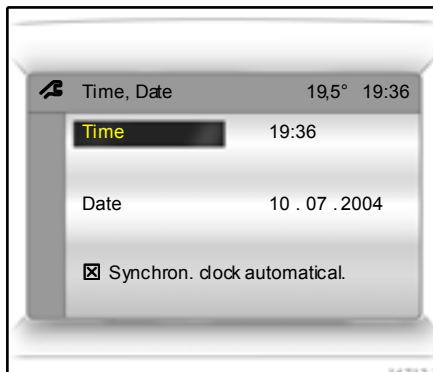
System settings

The settings are accessed via the **Settings** menu.

Press the **Main** button * (not found on all infotainment systems) on the infotainment system (call up main display).

Press the **Settings** button on the infotainment system. For Infotainment system CD 30, no menu may be selected.

The **Settings** menu opens.



Setting date and time

Select menu item **Time, Date**, from the **Settings** menu.

The menu for **Time, Date** is displayed.

Select the required menu item and make setting.

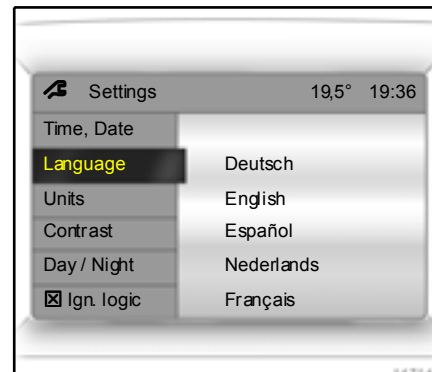
Automatic time synchronisation *

The RDS signal of most VHF transmitters automatically sets the time.

Some transmitters do not send a correct time signal. In such cases, we recommend that you switch off automatic time synchronisation.

On infotainment systems with navigation *, time and date are also harmonised upon receipt of a GPS satellite signal.

The function is activated by ticking the field in front of **Synchron. clock automatical.** in the **Time, Date** menu.

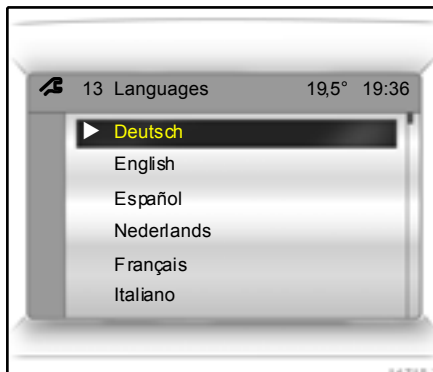


Language selection

You can select the display language for some functions.

Select menu item **Language** from the **Settings** menu.

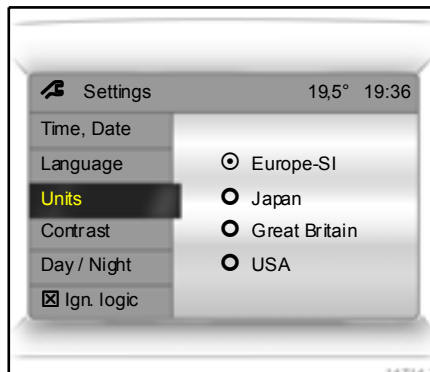
The available languages are displayed.



Select the desired language.

Selections are indicated by a ► in front of the menu item.

In systems with language version ✱, when the language setting of the display is changed, the system will ask if the message language should also be changed - see infotainment system instructions.



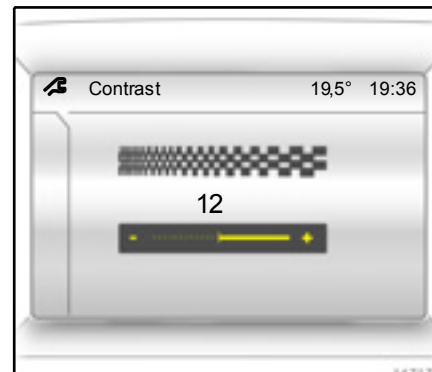
Setting units of measure

Select menu item **Units** from the **Settings** menu.

The available units are displayed.

Select the desired unit.

Selections are indicated by a ● in front of the menu item.



Adjust contrast ✱

Select menu item **Contrast** from the **Settings** menu.

The menu for **Contrast** is displayed.

Confirm the required setting.

Setting display mode *

Display brightness is independent of vehicle lighting. Settings are made as follows:

Select menu item **Day / Night** from the **Settings** menu.

The options are displayed.

Automatic: Adapted based on vehicle lighting.

Always day design: Black text on light background.

Always night design: White text on dark background.

Selections are indicated by a ● in front of the menu item.

Ignition logic *

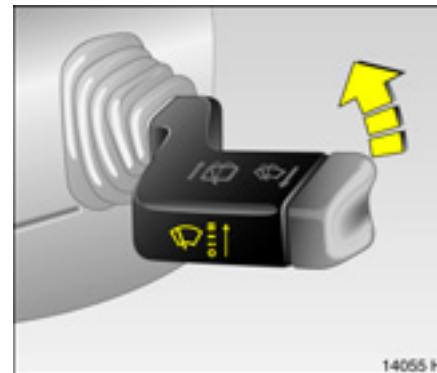
Setting, see infotainment system instructions.

Warning buzzers**When starting the engine or while driving:**

- if seat belt * is not fastened.
- If the speed programmed at the factory * is exceeded.
- If the vehicle has Easytronic * and the driver's door is opened when the engine is running, a gear is engaged and the foot brake is not depressed.

When parking the vehicle and opening the driver's door:

- when the ignition key is in the starter switch.
- with parking lights or dipped beam on.
- if the turn signal stalk is engaged.

**Windscreen wiper**

Move stalk upwards to switch on.

- ≡ = Fast
- = Slow
- = Adjustable interval switching
- = Off

Adjustable wiper interval

To set the wiper interval to a value between 2 and 15 seconds:

Stalk to interval operation --, stalk to **O**, wait for required interval delay, Level to interval operation again --.

The selected interval will remain stored until the next time it is changed or until the ignition is switched off.

After switching on the ignition and moving the stalk up, -- the interval is set to 7 seconds.

**Windscreen wash system**

Pull the stalk towards the steering wheel. Wash fluid sprays onto the windscreen and the windscreen wipers will sweep a few times.

**Rear window wiper* and rear window wash system ***

Push the stalk forwards. The rear window wiper swipes in timed interval mode. Switch off by pulling the stalk towards the steering wheel.

If the stalk is held forwards, wash fluid is sprayed on the rear window.

Lighting

Exterior lights	80
Main beam, headlight flash	81
Turn signal lights	81
Reversing lights.....	81
Front fog lights \mathcal{D} *.....	82
Fog tail light \mathcal{D} *	82
Hazard warning lights.....	82
Headlight range adjustment \mathcal{D} *	83
Instrument illumination \mathcal{D}	83
Information display illumination *.....	83
Courtesy light \mathcal{D} *.....	84
Battery discharge protection *.....	85
Misted light covers.....	85
Headlights when driving abroad	85



Exterior lights

Turn light switch:

- 0** = Off
- \mathcal{P} = Parking lights
- \mathcal{D} = Dipped beam or main beam

In positions \mathcal{P} and \mathcal{D} , the tail lights and number plate lights are also on.

If the ignition is switched off when main beam or dipped beam is on, the parking lights * come on.

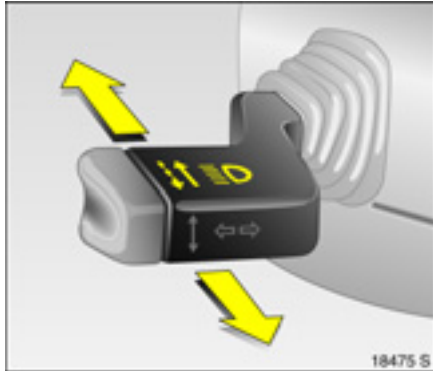
Versions with daytime running lights *

If the light switch is set to **0**, dipped beam is activated without instrument illumination when the ignition is switched on.

The daytime running lights turn off when the ignition is switched off.

Follow the regulations of the country in which you are driving when using daytime running lights and front fog lights *.

Driving abroad ⇨ 85.

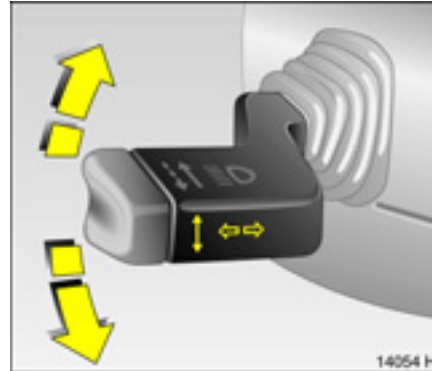


Main beam, headlight flash

Push stalk forward to switch from dipped beam to main beam.

To switch to dipped beam, push stalk down again.

To operate the headlight flash, pull stalk towards steering wheel. The main beam is switched on for as long as the stalk is held in this position.



Turn signal lights

Stalk upwards = Right turn signal
Stalk downwards = Left turn signal

If the stalk is moved past the resistance point, the turn signal light remains on. When the steering wheel moves back toward the straight-ahead position, the turn signal light is automatically deactivated.

Touch turn signal operation: press stalk until resistance can be felt and release again.

The turn signal lights are switched off manually by moving the stalk back to the middle position.

Reversing lights

The reversing lights come on when the ignition is on and reverse gear is engaged.



Front fog lights FD^*

The front fog lights can only be switched on if both the ignition and lights are switched on.

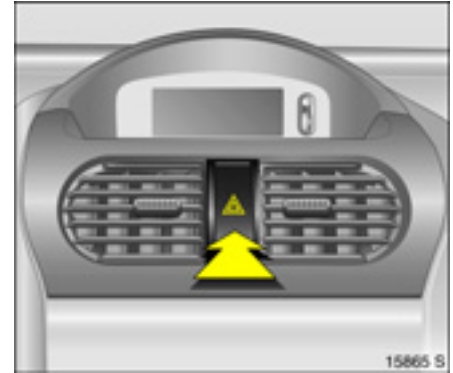
Operated with the FD button.

Fog tail light FT

The fog tail light can only be switched on if both the ignition and dipped beam/parking lights are switched on.

Operated with the FT button.

The fog tail light is deactivated when towing a caravan/trailer.



Hazard warning lights

Operated with the Δ button.

To make the button easier to find, the red surface is illuminated when the ignition switched on. When the button is pressed, its control indicator flashes in time with the hazard warning lights.



Headlight range adjustment *

Rotate the adjuster wheel to the required position to adjust the dipped beam range to vehicle loading and prevent dazzling.

Combo

- 0 = Front seats occupied
- 1 = All seats occupied
- 2 = All seats occupied and load compartment loaded
- 3 = Driver's seat occupied and full load in load compartment

Combo Crew van

- 0 = Seats occupied
- 1 = Seats occupied and half load in load compartment
- 2 = Seats occupied and full load in load compartment
- 3 = Driver's seat occupied and full load in load compartment



Instrument illumination

Illumination comes on with the exterior lights. Brightness can be adjusted using the adjuster wheel.

Information display illumination *

Information display illumination comes on when the ignition or infotainment system is switched on. Brightness can be adjusted using the adjuster wheel.



Courtesy light ☼

Automatic interior light

Comes on automatically when the vehicle is unlocked with the remote control or when a door is opened.

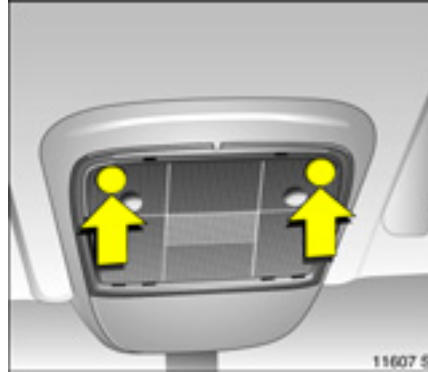
Goes off automatically after a delay when the doors are closed or immediately when the ignition is switched on or the doors are locked.

Front courtesy light

Manual operation from within when doors are closed:

On = Press light switch ☼

Off = Press light switch ☼ again



Front reading lights ✱

Operable with the button when the ignition is on.

Load compartment lighting ✱

The load compartment lighting comes on when the load compartment is opened.

Automatically regulated centre console lighting ✱

Spotlight in housing of interior mirror.

Daylight-dependent, automatically regulated centre console lighting with ignition switched on.

Battery discharge protection*

Some consumers such as the interior lighting switch themselves off after approx. 30 minutes if the ignition is off in order to protect the battery charge.

Misted light covers

The inside of the light bezels may mist briefly when subjected to adverse wet and cold winter conditions, strong rain or after the vehicle is washed. The misting will clear up on its own after a brief period. This can be facilitated by switching on the lights.

Headlights when driving abroad

The asymmetrical dipped beam increases the field of vision on the passenger side of the lane.

This causes glare for oncoming traffic if the vehicle is driven in countries where traffic drives on the opposite side of the road.

To avoid glare, have headlights adjusted in a workshop or have covers fitted to both headlights.

Infotainment system

Radio reception *	86
Infotainment system *	86
Steering wheel remote control *	86
AUX input *	87
Mobile telephones and radio equipment (CB) *	87

Radio reception *

Radio reception may be disrupted by static, noise, distortion or loss of reception due to

- Changes in distance from the transmitter,
- multi-path reception due to reflection and
- shadowing.

Infotainment system *

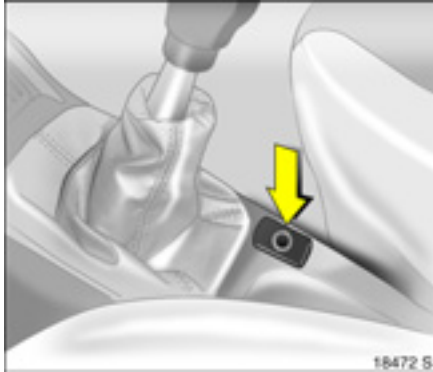
The infotainment system is operated as described in the operating instructions.



Steering wheel remote control *

The functions of the infotainment system * and the information display can be operated on the steering wheel.

Further information ⇨ 74 and the infotainment system instructions.



AUX input *

The AUX input is located on the centre console, between the seats.

An external audio source such as a portable CD player can be connected via the AUX input with a 3.5 mm jack plug.

Keep AUX input clean and dry at all times.

Further information is found in the infotainment system instructions.

Mobile telephones and radio equipment (CB) *

The Vauxhall installation instructions and the operating guidelines provided by the telephone manufacturer must be observed when fitting and operating a mobile telephone. Failure to do so could invalidate the vehicle's operating permit (EU Directive 95/54/EC).

Recommended prerequisites for fault-free operation:

- Professionally installed exterior antenna to obtain the maximum range possible
- Maximum transmission power 10 Watt,
- Installation of the telephone in a suitable spot (see information ↗ 58).

Seek advice on predetermined installation points for the external antenna or equipment holder and ways of using devices with a transmission power exceeding 10 watts.

We recommend that you consult your Vauxhall Authorised Repairer, which stocks accessories, brackets and various mounting kits and will install them correctly.

Use of a hands-free attachment without external antenna with mobile telephone standards GSM 900/1800/1900 and UMTS is only permitted if the maximum transmission power of the mobile telephone is 2 watts for GSM 900 or 1 watt for the other types.

For reasons of safety, we recommend that you avoid using the phone while driving. Even the use of the hands-free attachment could be a distraction from the traffic situation. Be sure to follow the laws of the country in which you are driving.

⚠ Warning
Operate radio equipment and mobile telephones which fail to meet current mobile telephone standards only using an antenna located outside of the vehicle.

Caution
Mobile phones and radio equipment may cause malfunctions in the vehicle electronics if they are operated in the vehicle without the external antenna unless the above-mentioned regulations are complied with.

Climate control

Heating, ventilation and air conditioning system *.....	88
Air vents	89
Heating and ventilation system	90
Air conditioning system *.....	92
Air intake	95
Air outlet.....	95
Pollen filter	95
Regular operation	95
Service	95



Heating, ventilation and air conditioning system *

Ventilation, heating and cooling * are combined into one unit that is designed to provide comfort regardless of the season, weather or outside temperature.

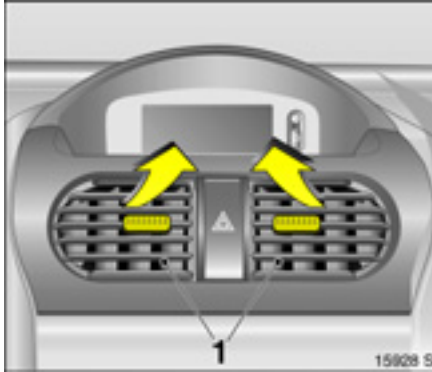
When cooling * is activated, the air is cooled and dried.

The heating unit heats the air as required in all operating modes depending on the position of the temperature switch. The air supply can be adjusted to suit requirements by means of the fan.



The buttons for cooling ❄ and air recirculation ↻ are only found on versions with optional air conditioning system *.

Air conditioning system ⇨ 92.

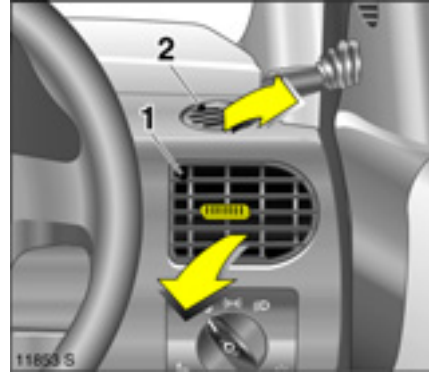


Air vents

At least one air vent must be open while cooling ❄️ (air conditioning compressor) is on in order to prevent the evaporator from icing up due to lack of air movement.

Comfortable ventilation of the interior is based on the position of the temperature switch.

To increase the air supply, set the fan to a higher speed and set the air distribution switch to 🌀 or 🌀.



Centre and side (1) air vents

The air flow can be directed as desired by tilting and swivelling the slats.

Temperature switch in centre area: Air from the centre vents is cooler than the air from the side air vents.

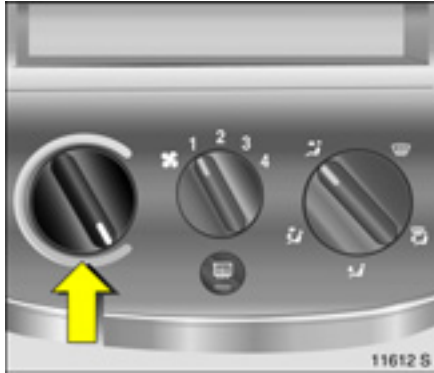
To close the vents, push the slider towards the centre of the vehicle.

Windscreen defroster nozzles (2)

Air distribution switch set to 🌀 or 🌀: Air is directed onto the windscreen and the door windows.

Additional vents

Located in front of the windscreen, in front of the door mirrors and in the front footwells.



Heating and ventilation system

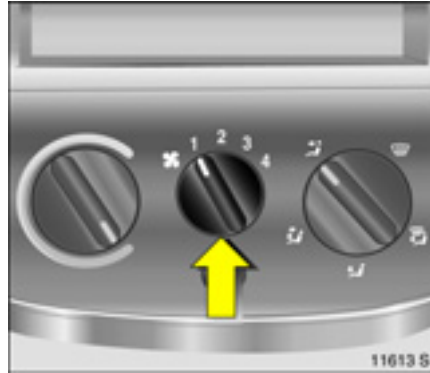
Temperature

Adjusted using left-hand rotary knob.

Red area = warm

Blue area = cold

The amount of heat is dependent on the coolant temperature and is thus not fully attained until the engine is warm.



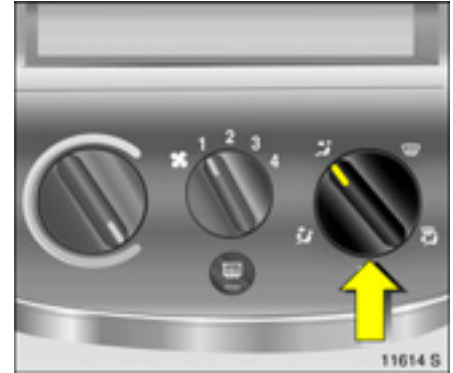
Air flow

Adjusted using centre rotary knob.

☼ off

1-4 selected fan speed

The rate of air flow is determined by the fan. The fan should therefore also be switched on during a journey.



Air distribution

Adjusted using right-hand rotary knob.

☼ to windscreen and front side windows

☼ to windscreen, front side windows and footwell

☼ to footwell

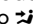


☼ to headroom and footwell

☼ to headroom

Open the air vents when the switch is set to ☼ or ☼.




Ventilation


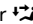

- Set the temperature to the desired setting.
- Switch fan on, select fan setting according to requirements.
- For maximum ventilation in headroom: move air distribution switch to , open all ventilation nozzles.
- For ventilation to footwell: Set air distribution switch to .
- For simultaneous ventilation to the head area and the footwell: Set air distribution switch to .

Heating

For rapid warming of the passenger compartment:


- Turn the temperature switch clockwise as far as it will go (warm).
- Set the fan to speed 3.
- Set the air distribution switch to the desired position, preferably position  \rightarrow 90.

The comfort and general well-being of the vehicle occupants are to a large extent dependent on a suitable ventilation and heating setting.

To achieve temperature stratification with the pleasant effect of "cool head and warm feet", move rotary air distribution knob to ,  or  and move rotary temperature knob to any position (in central area with temperature stratification effect).



Heating the footwell

- Set the temperature switch in the right-hand zone.
- Switch on fan.
- Set air distribution switch to .






Demisting and defrosting the windows

Warning

Failure to follow the description could lead to misting or icing of the windows, which in turn could lead an accident stemming from lack of visibility.

Misted or icy windows, e.g. due to damp weather, damp clothing or low outside temperatures:

- Turn the temperature switch clockwise as far as it will go (warm).
- Set fan to **3** or **4**.
- Set air distribution switch to .
- Activate heated rear window .
- Open side air vents as required and direct them towards side windows.
- For simultaneous warming of the footwell, set air distribution switch to .

Air conditioning system *

In addition to the effects of the heating and ventilation system, the air conditioning system cools and dehumidified (dries) the inflowing air.

If no cooling or dehumidification is required, switch off cooling to save fuel.

Cooling switches off automatically at low outside temperatures.



Cooling ☀

Only operate with the engine and fan running. Activate and deactivate with the ☀ button.

When cooling (air-conditioning compressor) is on, the air is cooled and dried. If no cooling or drying is required, switch off cooling to save fuel.

Cooling switches off automatically at low outside temperatures.

When cooling operates, condensation forms and drips from the underside of the vehicle.



Air recirculation system 🔄

The air recirculation mode of the ventilation system is activated and deactivated by pressing the 🔄 button.

If fumes or unpleasant odours penetrate from outside: temporarily switch on air recirculation system 🔄.

To increase cooling at high outside temperatures, switch on the air recirculation system briefly.

⚠ Warning

The air recirculation system minimises the entry of outside air. The humidity increases, and the windows can mist up. The quality of the passenger compartment air deteriorates which may cause vehicle occupants to feel drowsy.

Air distribution to 🔄: the air recirculation system is automatically switched off to speed up window demisting and prevent fogging.



Comfort setting

- Set cooling ☀ as desired.
- Air recirculation system 🔄 off.
- Set temperature switch as desired.
- Switch on fan at desired speed.
- Set air distribution switch to 🌀 or 🌀.
- Open vents as required.

Temperature switch in centre of adjustment range: warmer air will flow into the footwell and cooler air into the upper zone, with warmer air coming from the side air vents and cooler air from the centre vents.



Maximum cooling

(Maximum Air Conditioning)

Open windows for a short time so that the heated air can dissipate quickly.

- Cooling ☀ on.
- Air circulation system 🔄 on.
- Turn the temperature switch anticlockwise as far as it will go (cold).
- Set fan to 4.
- Set air distribution switch to 🌀.
- Open all vents.






Demisting and defrosting windows



⚠ Warning


Failure to follow the description could lead to misting or icing of the windows, which in turn could lead an accident stemming from lack of visibility.

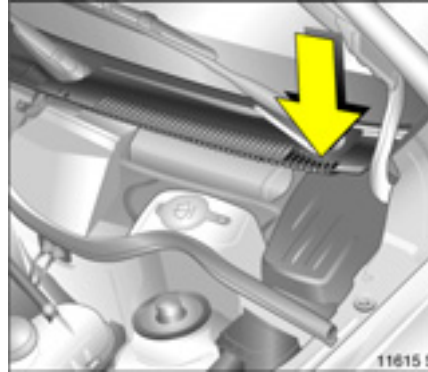
Misting or icing of the windows, such as from damp weather conditions, wet clothes or low outside temperatures:

- Cooling  on, the air conditioning compressor automatically switches off in low outdoor temperatures (ice formation),
- Turn the temperature switch clockwise.
- Set fan to 3 or 4.
- Air distribution switch to , air recirculation system  switches off automatically.

– or –

If there is still moisture in the system after previous air conditioning operation, the windows may mist up. To prevent this, set air distribution to  before starting engine and set to  approx. 5 seconds after starting.

- Activate heated rear window .
- Open side air vents as required and direct them towards side windows.




Air intake

The air intakes in front of the windscreen on the far left and right-hand sides of the engine compartment must be kept free of leaves, dirt and snow so as not to obstruct the air supply.

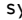
Air outlet

Do not cover the air outlets when stowing objects in the load compartment.

Pollen filter

The pollen filter cleans dust, soot, pollen and spores from the air entering from outside. The active carbon layer  eliminates most odours and noxious environmental gases from the air.

Regular operation


To make sure that the AC compressor is constantly working well, the cooling system  must be switched on several minutes once a month regardless of the weather or season. It is not possible to activate cooling when outside temperatures are low.

Service

For optimal cooling performance, we recommend that the climate control system be checked annually, starting three years after initial vehicle registration.

- Functionality and pressure test
- Heating functionality
- Leakage check
- Check of drive belts
- Cleaning of condenser and evaporator drainage
- Performance check

Driving and operation

Easytronic *	96
Manual transmission	101
Driving hints	102
Saving Fuel, Protecting the Environment	104
Fuels, refuelling	106
Catalytic converter, engine exhaust	108
Hydraulic brake system	111
Anti-lock brake system (ABS ) *	112
Handbrake	113
Brake assist	114
Wheels, tyres	114
Roof racks *	119
Towing equipment *	119
Caravan/trailer towing	119


Easytronic *

The Easytronic transmission permits manual (**manual mode**) or automatic gear shifting (**automatic mode**), both with automatic clutch control.



Transmission display

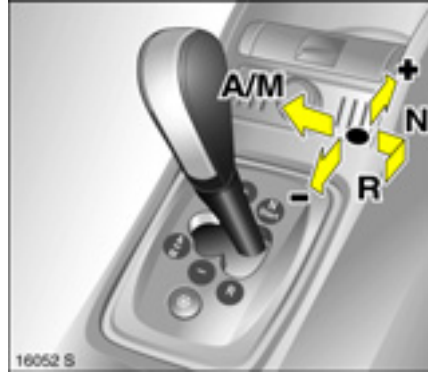
Shows the mode and current gear.

If the Winter programme is activated,  is illuminated.

Starting the engine

Briefly operate foot brake when starting the engine. The engine can now be started in position **N** and with the foot brake operated. **N** appears in the gear display. If the foot brake is not operated, "**N**" flashes in the gear display and the engine cannot be started.

If no brake lights are operational, the engine will not start.

**Operation of Easytronic transmission using the selector lever**

Always move the selector lever all the way in the chosen direction. Observe the gear or mode indicator in the transmission display.

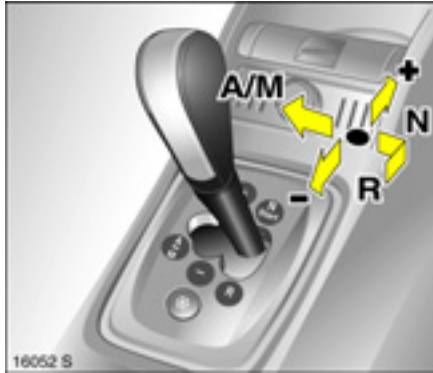
Selector lever in N
Neutral.

Selector lever in ● (centre position)

Moving the selector lever from **N** to ● (centre position) while depressing the foot brake time switches Easytronic to automatic mode and engages first gear (second gear if winter programme is enabled). "**A**" appears in the gear display.

When the foot brake is released the vehicle starts to "creep". If the foot brake is not operated, "**A**" starts to flash. Start off by immediately pressing the accelerator pedal or move selector lever back to **N** and repeat procedure with foot brake operated.

In automatic mode, the transmission shifts into other gears automatically based on driving conditions.



Selector lever in A/M

Switch between Automatic and Manual mode.

In manual mode, a gear can be selected manually by tapping the selector lever to the **+** or **-** position. The transmission display indicates the current gear.

If the engine speed is too low Easytronic will automatically shift to a lower gear even in Manual mode. This prevents the engine from stalling.

Selector lever in + or -

- + Shift to a higher gear.
- Shift to a lower gear.

If a higher gear is selected when the running speed is too low, or a lower gear when the speed is too high, no shift is carried out. This prevents the engine from running at too low or too high revs.

Gears can be skipped by jogging the selector lever repeatedly at short intervals.

When the vehicle is in automatic mode, Easytronic switches to manual mode when the selector lever is tapped to position **+** or **-**. The transmission display indicates the current gear.

Selector lever in R

Reverse gear. Engage only when vehicle is stationary.

Press knob on selector lever, select **R**, "R" appears in gear display.

If **R** is selected when the vehicle is in motion, "R" flashes in the transmission display and no gear is engaged.

Stopping the vehicle

In automatic or manual mode, first gear is automatically engaged (second gear if the Winter programme is engaged) and the clutch is released when the vehicle is stationary. In **R**, reverse gear remains engaged.

If a warning signal sounds when the driver's door is opened (foot brake not depressed), move the selector lever to **N** and apply the handbrake.

When stopping on gradients, engage the handbrake or depress the brake pedal. To prevent overheating of the clutch, do not increase engine speed to ensure smooth idling when in gear.

Switch off engine if stopping for a lengthy period, e.g. in traffic jams or at level crossings.

Electronically controlled driving programmes in automatic mode

- Following a cold start, the operating temperature programme keeps engine speed high to quickly and automatically bring the catalytic converter to the required temperature.
- Adaptive programmes automatically change to other gears to suit the driving conditions, such as if the vehicle is towing a caravan/trailer, has a high payload, or is being driven on inclines.

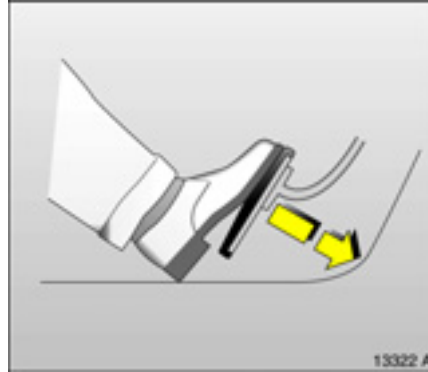


Winter programme ❄️

In the event of difficulties starting off on slippery roads, press the ❄️ button ("A" and ❄️ appear in the transmission display). Easytronic switches to automatic mode and the vehicle sets off in second gear.

The Winter programme is switched off by:

- pressing the ❄️ button again,
- turning off the ignition,
- switching to Manual mode,
- when clutch temperature is too high.



Kickdown

If the accelerator pedal is pressed past the pressure point, the transmission shifts to a lower gear depending on engine speed.

During kickdown no manual gear shifting is possible.

When the engine speed approaches its upper limit, the transmission shifts to a higher gear during kickdown even in Manual mode.

Without kickdown this automatic shift is not effected in Manual mode.

Engine braking

Automatic mode

When driving downhill, Easytronic does not shift into higher gears until a fairly high engine speed has been reached. When braking, the transmission shifts down in good time.

Manual mode

To utilise the engine braking effect, select a lower gear in good time when driving downhill.

"Rocking the vehicle"

To rock a vehicle that is stuck in sand, mud, snow or a rut only, alternate the selector lever between ● (centre position) and R positions and depress the accelerator pedal slightly. Keep the engine speed as low as possible and avoid rapid acceleration.



Manoeuvring the vehicle

To manoeuvre the vehicle back and forth during attempts to park or in garage entrances the creeping movement can be utilised by releasing the foot brake.

Never actuate an accelerator and brake pedals simultaneously.

To prevent damage, Easytronic disengages the "creep function" at extremely high automatic clutch temperatures.

Vehicle storage

Apply the handbrake and remove the key from the ignition. The previously selected gear (shown on the transmission display) remains selected. No gear is selected in selector lever position N.

When the ignition is switched off, Easytronic no longer responds to movement of the selector lever.

If the ignition key is not removed, the battery may be discharged if the vehicle is then left to stand for a lengthy period of time.

If the handbrake has not been applied, the control indicator (Ⓢ) flashes for a few seconds after the ignition is switched off.



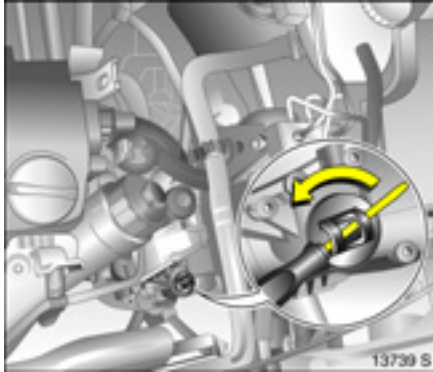
Fault

To prevent damage to the Easytronic transmission, the clutch is closed automatically at high clutch temperatures.

Control indicator Ⓢ illuminates in the event of a fault. Continued driving is possible. Manual mode cannot be used for shifting.

If an "F" is also shown in the transmission display, it is not possible to continue driving.

Have cause of fault remedied by a workshop. The system's integrated self diagnostics allow faults to be quickly remedied.



Interruption of power supply

The clutch is not disengaged if there is an interruption of the power supply when a gear is engaged. The vehicle cannot move.

If the battery is discharged, start the vehicle using jump leads ↻ 122.

If the cause is not a flat battery, contact a workshop for assistance. If the vehicle has to be moved out of flowing traffic, disengage clutch as follows:

1. Apply hand brake and switch off ignition.
2. Open bonnet and engage support.

3. Clean the transmission around the cap (see Fig. 13739 S) so that no dirt can get into the opening when the cap is removed.
4. Rotate cap to slacken and remove by lifting upwards – see Fig. 13739 S.
5. Turn the adjusting screw clockwise using a flat-head screwdriver (vehicle tools * ↻ 129) until clear resistance can be felt. The clutch has now been disengaged.

Caution

Do not turn beyond the resistance, since this can damage the Easytronic transmission.

6. Fit cleaned cap again. The cap must be in full contact with the housing.

Caution

Towing the vehicle and starting the engine is not permitted when the clutch has been released in this way, although the vehicle can be moved a short distance.

Contact a workshop for assistance immediately.



Manual transmission

Reverse gear: With vehicle stationary, three seconds after depressing the clutch, pull the ring up and engage gear.

If the gear does not engage, set the lever in neutral, release the clutch pedal and depress again; then repeat gear selection.

Do not grind the clutch unnecessarily.

When operating, depress the clutch pedal completely. Do not use the pedal as a foot rest (increases clutch wear).

Driving hints

The first 600 miles (1000 km)

Drive your vehicle at various speeds. Do not use full throttle. Never allow the engine to labour at low revs.

Change gear frequently. Do not press the accelerator pedal more than approx. $\frac{3}{4}$ in all gears.

Do not drive faster than three quarters of maximum speed.

Do not brake unnecessarily hard for the first 125 miles (200 km).

During the first drive, smoke may develop because of wax and oil evaporating off the exhaust system. Park the vehicle in the open for a while after the first drive and avoid inhaling the fumes.

Fuel and engine oil consumption is higher than normal during the running-in period.

Never coast with engine not running

Many units will not function in this situation (e.g. brake servo unit, power steering ⚠). Driving in this manner is a danger to yourself and others.

Brake servo unit

When the engine is not running, the brake servo unit is no longer effective once the brake pedal has been depressed once or twice. Braking effect is not reduced, but significantly greater force is required for braking.

Electric power steering ⚠

If the electric power steering fails when being towed with the engine switched off – the vehicle can still be steered, but considerably more force is required.

Driving in mountainous terrain or with a caravan/trailer

The cooling fan is electrically operated. Its cooling power is therefore independent of the engine speed.

Since a considerable amount of heat is generated at high engine speeds and less at slower speeds, do not shift down when climbing hills whilst the vehicle is still coping with the gradient in the higher gear.

Diesel engines: On gradients of 10% or more, do not drive faster than 20 mph (30 km/h) in first gear or 30 mph (50 km/h) in second gear.

Driving with a roof load

Do not exceed the permissible roof load, ⚠ 177. For reasons of safety, distribute the load evenly and strap it down firmly using retaining straps so that it cannot slip.

Check the tyre pressure when the vehicle is loaded. Do not travel faster than 75 mph (120 km/h). Check and re-tighten the straps frequently. Observe country-specific regulations.

Switching off the engine

When you switch off, fans in the engine compartment may continue running for a time to cool the engine.

If the engine temperature is very high, e.g. after driving in mountainous terrain: allow the engine to idle for approximately two minutes in order to prevent heat accumulation.

Vehicles with turbocharged engine

After running at high engine speeds or high engine loads, operate the engine briefly at a low load or run in neutral for approx. 30 seconds before switching off in order to protect the turbocharger.

Save energy – more miles

Please observe the running-in hints on the previous page and the tips for saving energy on the following pages.

Good, technically correct and economical driving ensures maximum durability and performance for your vehicle.

Overrun cut-off

The fuel supply is automatically cut off during overrun, e.g. when the vehicle is driven with a gear engaged but no throttle application. Overrun cut-off is deactivated if catalytic converter temperature is high.

Vehicles with turbocharged engine

Flow-generated noises may be audible if the accelerator is released quickly on account of air flow in the turbocharger.

Engine speed

Drive in a low engine speed range for each gear as much as possible.

Warming up

Allow the engine to warm up while driving. Do not warm it up by letting it run at idling speed. Do not apply full throttle until the engine has reached operating temperature.

In automatic mode, Easytronic * does not shift to the higher gears after a cold start until higher engine speeds are reached.

This allows the catalytic converter to quickly reach the temperature that is required for optimum pollutant reduction.

Correct gear selection

Do not race your engine whilst in neutral or with a low gear selected. Driving too fast in individual gears as well as stop-and-go traffic increases engine wear and fuel consumption.

Change down

When decreasing speed, shift down into the next lowest gear. Do not slip the clutch with a high-revving engine. This is especially important when hill climbing.

Cooling fan

The cooling fan is controlled via a thermostat and therefore only runs if necessary.

The cooling fan automatically switches on when the diesel particle filter is being cleaned * depending on the engine.

Pedals

Do not place any objects in the footwell which could slip under the pedals and inhibit the pedal travel.

To ensure the pedal travel is uninhibited, there must be no mats in the area of the pedals.

Battery care

When driving slowly or when the vehicle is stationary, e.g. in slow urban traffic, stop-and-go traffic or traffic jams, turn off all unnecessary electrical loads where possible (e.g. heated rear window, heated front seats, etc.).

Depress the clutch pedal when starting in order to relieve the strain on the starter and the battery.

Saving Fuel, Protecting the Environment

Trend-setting technology

Environmentally friendly and mainly recyclable materials were used when your vehicle was being developed and manufactured. The production methods used to make your vehicle are also environmentally-compatible.

Recycling of production wastes keeps the circulation of material closed. Reduction of energy and water requirements also helps to conserve natural resources.

A highly advanced design means that your vehicle can be easily disassembled at the end of its working life, and the individual materials separated for subsequent re-use.

Materials such as asbestos and cadmium are not used. The refrigerant in the air conditioning system * is CFC-free.

New painting techniques employ water as a solvent.

End-of-life vehicle recovery

For detailed information on Vauxhall's ongoing commitment to achieving an environmentally-sustainable future, including; design for recycling, take back of End-of-Life Vehicle's (ELVs) and the recycling of ELVs, view www.vauxhall.co.uk/recycling for details.

Energy and environment-conscious driving

■ High noise levels and exhaust emissions are often a result of driving without due attention to saving energy and protecting the environment.

■ You should therefore drive with energy in mind: "more miles – less fuel".

Reduce the noise level and exhaust emissions by adopting an environment-conscious driving style. This is extremely worthwhile and improves the quality of life.

Fuel consumption depends to a great extent on your own personal driving style. The following hints are intended to help you consume fuel at a rate that is as close as possible to the specified levels ⇨ 175.

Check your vehicle's fuel consumption every time you refuel. This facilitates early detection of any irregularities causing increased fuel consumption.

Warming up

■ Full throttle and warming up at idle speed increase wear, fuel consumption, exhaust emission, the amount of pollutant in the exhaust and the amount of noise.

■ Drive off immediately after starting. Warm up the engine by running it at moderate engine speeds.

Uniform speed

■ Hectic driving significantly increases fuel consumption, the exhaust emissions, the proportion of pollutant in the exhaust gas and the noise level.

■ Do not accelerate and brake unnecessarily. Drive at uniform speed, watching the road.

Avoid frequent starting off and stopping e.g. at traffic lights, in short distance traffic and in queues of traffic by means of clever planning. Select roads with good traffic flow.

Idling

■ The engine also consumes fuel when idling.

■ If you have to wait for more than one minute, it is worthwhile switching off the engine. Five minutes of idling corresponds to approximately 0.6 miles (1 km) of driving.

Overrun

- The fuel supply is automatically shut off during overrun, e.g. when the vehicle is being driven down long gradients or when braking ⇨ 103.
- To enable the overrun cut-off to come into action and save fuel, do not accelerate or depress the clutch pedal during overrun.

Correct gear selection

- High revs increase engine wear and fuel consumption.
- Do not race your engine. Avoid driving at high engine speeds.

Making use of the tachometer helps to save fuel. Drive in a low engine speed range for each gear as much as possible with uniform engine speeds. Drive as often as possible in top gear, select the next higher gear as soon as possible, and only change down when the engine is no longer running perfectly smoothly.

High speed

- The higher the speed, the higher the consumption and the noise level. At top speed, you consume a great deal of fuel and produce excessive noise and exhaust emissions.

- Slightly releasing the accelerator pedal results in distinct fuel savings with no major loss of speed.

Drive at no more than around three quarters of maximum speed and you will use up to 50% less fuel, without losing a great deal of time.

Tyre pressure

- Inadequate tyre pressure, leading to higher road resistance, costs money in two ways: for more fuel and increased tyre wear.
- Regular checks (every 14 days) pay off.

Electrical loads

- The power consumption of electrical equipment increases fuel consumption.
- Switch off all auxiliary electrical loads (e.g. air conditioning ✱, heated rear window) when not needed.

Roof racks

- Due to air resistance, a roof load can increase fuel consumption by approx. 3.5 gal./1000 miles (1l/100 km).
- Remove them if they are not being used.

Repair and maintenance

- Improper repairs or adjustment and maintenance work can increase fuel consumption. Do not carry out work on the engine yourself.

You may out of ignorance infringe environmental laws by not disposing of materials properly.

Appropriate parts might not be recycled.

Contact with some of the materials involved may pose a health hazard.

- We recommend that repair and maintenance be entrusted to your Vauxhall Authorised Repairer.

Extreme driving conditions

- Going up steep slopes, cornering, driving on poor roads and winter driving all increase fuel consumption.

Fuel consumption increases dramatically in urban traffic and at winter temperatures, especially on short trips when the engine operating temperature is not reached.

- Following the instructions given above will minimise consumption under these conditions.

Fuels, refuelling

Fuel consumption

Fuel consumption is determined under specific driving conditions ⇨ 175.

Special equipment increases the weight of the vehicle. As a result, they can increase fuel consumption and reduce the specified maximum speed.

There is increased friction between engine and transmission parts during the first 600 miles (1000 km). This increases fuel consumption.

Fuel for petrol engines

Only use unleaded fuel that complies with DIN EN 228.

Fuels with ethanol content greater than 5% may only be used if the vehicle has been specifically developed and approved for these fuels.

Use fuel with the recommended octane rating (value in bold ⇨ 173). Use of fuel with too low an octane rating can reduce engine power and torque and slightly increases fuel consumption.

Caution
Use of fuel with too low an octane rating could lead to uncontrolled combustion and engine damage.

Fuel for diesel engines

Diesel engines must be operated only on commercially available diesel fuel meeting the specifications of DIN EN 590.

Since January 2004, some oil companies have mixed their diesel fuel with up to 5% Bio fuel (FAME = Fatty Acid Methyl Esters) like RME (Rape-Oil Methyl Ester). This is in accordance with the current DIN EN 590 and does not harm the fuel/injection system. The characteristics of a diesel fuel mixed up with 5% Bio fuel (FAME) do not differ from conventional diesel fuel and do not influence the vehicle's driveability.

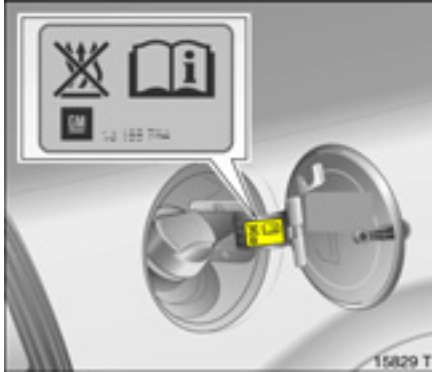
Important: Diesel fuel mixed with 5% FAME according to DIN EN 590 must not be confused with 100% Bio Diesel, which is not to be used in Vauxhall engines.

The flow and filterability of diesel fuel are temperature-dependent.

Diesel fuels with improved low temperature properties are therefore available on the market during the winter months. Make sure that you fill the tank with winter fuel before the start of the cold weather season.

Additives can be used with diesel fuels with winter properties that are guaranteed by the manufacturer and when using diesel fuel filters that are heated depending on the outside temperature.

Diesel fuels must not be diluted with fuels that are intended for petrol engines.

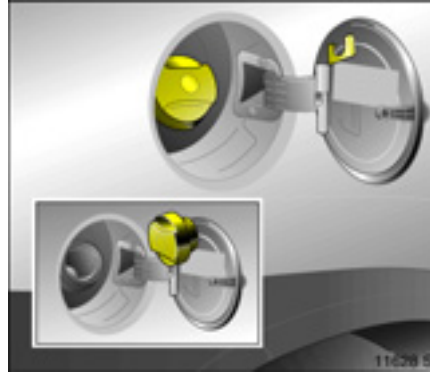


Fuel filler cap

Only a Vauxhall genuine fuel filler cap provides full functionality. Diesel-engined vehicles have special fuel filler caps.

Refuelling

⚠ Warning
<p>Before refuelling, switch off engine and any external heaters with combustion chambers * (identified by sticker on tank flap). Switch off any mobile phones.</p> <p>Follow the operating and safety instructions of the filling station when refuelling.</p>



With the central locking system *, the tank flap is unlocked together with the doors * ⇨ 22.

Open the tank flap. To prevent damage, the right-hand sliding door cannot be fully opened if the tank flap is open.

Unlock the fuel filler cap with the ignition key *, unscrew and suspend from tank flap.

The fuel tank has a limiting system which prevents overfilling of the tank.

⚠ Warning
<p>Fuel is flammable and explosive. No smoking. No naked flames or sparks.</p> <p>If you can smell fuel in your vehicle, have the cause of this rectified immediately by a workshop.</p>

Fuel filler neck at right rear side of vehicle.

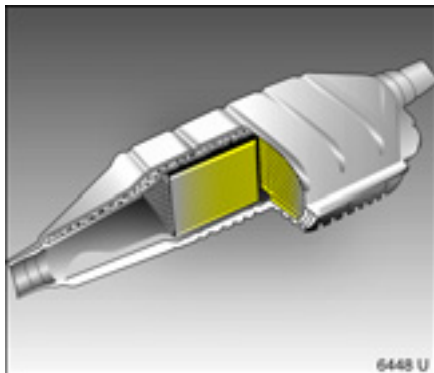
Correct filling depends to a large extent on proper operation of the fuel dispensing pump:

1. Fully insert the pump nozzle and switch it on.
2. After the automatic cut-off, the nominal capacity of the fuel tank can be obtained by topping up with two doses of fuel. Make sure the nozzle is fully inserted.

To close, place fuel filler cap in position and turn, overcoming the resistance until the ratchet on the cap engages audibly. Lock the fuel filler cap with the ignition key *.

Close fuel tank cover.


Caution
<p>Wipe off any overflowing fuel immediately.</p>



Catalytic converter, engine exhaust

Catalytic converter

The catalytic converter reduces the amount of harmful substances in the exhaust gas, such as carbon monoxide (CO), hydrocarbons, (CH) and nitrous oxide (NO_x).

Fuel grades other than those listed on  106, 173 (e.g. LRP = Lead Replacement Petrol or leaded fuel) could damage the catalytic converter or electronic components.

Caution

Damage to the catalytic converter or the vehicle may result if the following points are not observed.

- In the event of misfiring, uneven engine running, a clear reduction in engine performance or other unusual problems, have the cause of the fault rectified by a workshop as soon as possible. In an emergency, driving can be continued for a short period, keeping vehicle speed and engine speed low.

- If unburnt fuel enters the catalytic converter of a petrol engine, this may result in overheating and irreparable damage to the catalytic converter.

You should therefore avoid unnecessarily long use of the starter when starting off, running the tank dry and starting the engine by pushing or towing.



Controlling exhaust emission

Design measures, primarily in the fuel injection system and ignition system zones in combination with the catalytic converter, the amount of hazardous substances in the exhaust emissions, such as carbon monoxide (CO), hydrocarbons (CH) and nitrogen oxides (NO_x), are reduced to a minimum.



Exhaust gas control indicator

Illuminates when the ignition is switched on and during the start attempt. Goes off shortly after the engine starts running.

Illumination whilst the engine is running indicates a fault in the emission control system. The permissible emission limits may be exceeded. Contact a workshop for assistance immediately.

Illumination with the engine running indicates a fault that can cause damage to the catalytic converter. It is possible to continue driving without causing damage by slowing down until the flashing stops and the control indicator illuminates. Contact a workshop for assistance immediately.



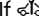
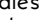
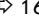
Control indicator for engine electronics


Illuminates for a few seconds when ignition is switched on.

If it comes on when the engine is running, there is a fault in the engine or transmission electronics. The electronics switch to the emergency running programme, fuel consumption may increase and the driveability of the vehicle may be affected.

In some cases the fault can be remedied by switching the engine off and starting it again. If the control indicator continues to illuminate whilst the engine is running, contact a workshop for assistance in remedying the cause of the fault.

If it illuminates briefly, but does not recur, it is of no significance.

If  illuminates, there may be water in the diesel fuel filter . Have the fuel filter checked for water residue by a workshop  166.

If it flashes after the ignition is switched on, there is a fault in the immobiliser system. The engine cannot be started  19.

Engine exhaust

Warning

Engine exhaust gases contain poisonous carbon monoxide, which is colourless and odourless and could be fatal if inhaled.

If exhaust gases penetrate the vehicle, open windows and contact a workshop for assistance.


Avoid driving with an open tailgate. Otherwise, exhaust gases could get into the interior.

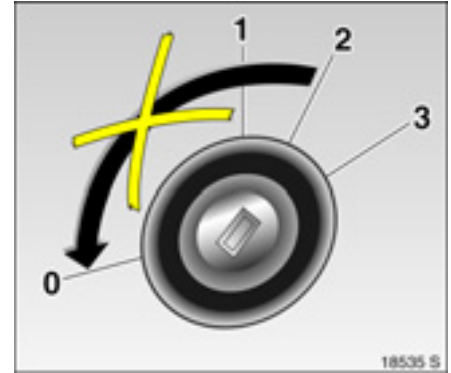
Diesel particle filter *

The diesel particle filter system filters harmful soot particles out of the exhaust gases. The system includes a self-cleaning function that runs automatically during driving. The filter is cleaned by burning off the soot particles at high temperature. This process takes place automatically under set driving conditions and may take up to 25 minutes. Fuel consumption may be higher during this period. The emission of smells and smoke during this process is normal.




Under certain driving conditions, e.g. short distances, the system cannot clean itself automatically.

If the filter requires cleaning and previous driving conditions did not enable automatic cleaning, control indicator  flashes. Continue driving, keeping engine speed above 2000 rpm⁻¹. Shift down if necessary. Diesel particle filter cleaning is then initiated.



We recommend that you do not stop your journey or switch off the ignition during cleaning. Cleaning takes place most quickly at high engine speeds and high loads.



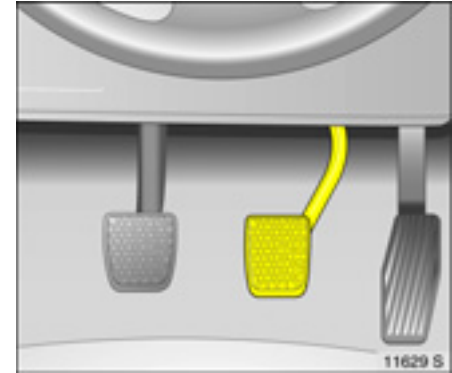
The control indicator  goes off as soon as the self-cleaning operation is complete.

Maintenance

Have all maintenance work carried out at the specified intervals. We recommend that you entrust this work to your Vauxhall Authorised Repairer, who has proper equipment and trained personnel available. Electronic testing systems permit rapid diagnosis and remedy of faults. This way you can be certain that all components of the vehicle's electrical, injection and ignition systems operate correctly, that your vehicle has a low level of pollutant emission and that the catalytic converter system will have a long service life.

You are thereby making an important contribution towards keeping the air clean and compliance with emissions legislation.

Checking and adjustment of the fuel-injection and ignition systems is part of the scope of inspection. For this reason you should have all maintenance work carried out at the intervals specified in your Service and Warranty Booklet.



Hydraulic brake system

The foot brake comprises two independent brake circuits.

If a brake circuit fails, the vehicle can still be braked using the other brake circuit. However, the brake pedal must be depressed a considerable way before any braking effect occurs, and much more force is required. The braking distance is longer. Contact a workshop for assistance before continuing to drive.

To ensure the full pedal travel can be utilised, especially in case of a fault in one of the brake circuits, there must be no mats in the vicinity of the pedals ↗ 103.

When the engine is not running, the support of the brake servo unit disappears once the brake pedal has been depressed once or twice. Braking effect is not reduced, but braking requires significantly greater force. This is especially important to bear in mind when towing.

The brake fluid level should be checked regularly. If the brake fluid level is too low and the handbrake is not applied, control indicator (D) on the instrument panel illuminates ↗ 66.



Brake system control indicator (D)

The control indicator illuminates when the ignition is switched on if the handbrake is applied or if the brake or clutch fluid level is too low. Brake fluid ↗ 168.

⚠ Warning

If the control indicator illuminates when the handbrake is released, stop driving immediately. Contact a workshop for assistance.

For vehicles with Easytronic*, the control indicator flashes for a few seconds when the ignition is turned off if the handbrake is not applied.

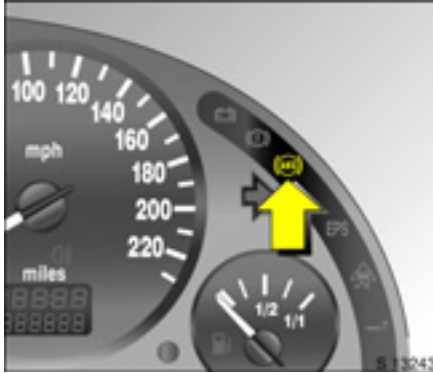
Anti-lock brake system (ABS (E))*

ABS prevents the wheels from locking.

ABS starts to regulate brake pressure as soon as a wheel shows a tendency to lock. The vehicle remains steerable, even during hard braking.

ABS control is made apparent through a pulse in the brake pedal and the noise of the regulation process.

For optimum braking, keep the brake pedal fully depressed throughout the braking process, despite the fact that the pedal is pulsating. Do not reduce the pressure on the pedal.



Control indicator (ABS) for ABS

It illuminates for a few seconds when ignition is switched on. Once the control indicator goes out, the system is ready for operation.

If the control indicator does not go out after a few seconds, or if it illuminates while driving, there is a fault in the ABS. The brake system remains operational without ABS regulation.

Self testing

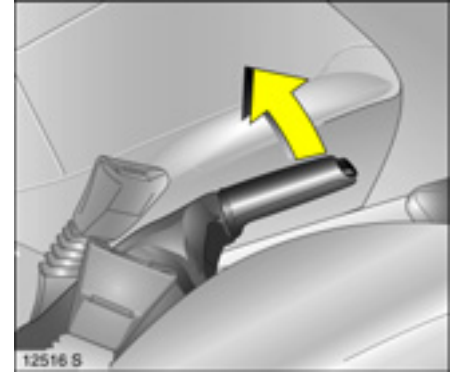
When the engine is started and the vehicle starts off, the system performs a self-check, which may be audible.

Fault

⚠ Warning

If there is a fault in the ABS, the wheels may be liable to lock due to braking that is heavier than normal. The advantages of ABS are no longer available. During hard braking, the vehicle can no longer be steered and may swerve.

Have cause of fault remedied by a workshop. The system's integrated self diagnostics allow faults to be quickly remedied.



Handbrake

Always apply handbrake firmly without operating the release button, and apply as firmly as possible on a downhill or uphill slope.

To release the handbrake pull the lever up slightly, press the ratchet knob, and fully lower the lever.

In order to reduce the handbrake operational forces, depress the foot brake at the same time.

Brake assist

When the brake pedal is rapidly and forcefully depressed, the vehicle is automatically braked with maximum brake force amplification in order to obtain the shortest possible braking distance during full-on braking (brake assist).

Maintain steady pressure on the brake pedal for as long as full-on braking is to continue. When the brake pedal is released, the maximum brake force amplification is taken away.

Wheels, tyres

Suitable tyres or limitations ⇨ 179.

Tyres fitted in the factory are adapted to the chassis and provide optimum driving comfort and safety.

Changing tyre/wheel type

If tyres of a different size than those fitted at the factory are used, it may be necessary to reprogram the electronic speedometer and make other vehicle modifications.

After converting to a different tyre size, have the adhesive label with tyre pressures replaced.

Warning

Use of unsuitable tyres or wheels may lead to accidents and render the vehicle unroadworthy.

Fitting new tyres

Fit tyres in pairs or in sets, which is even better. Ensure that tyres on one axle are

- the same size,
- the same design,
- the same make,
- and have the same tread pattern.

Fit directional tyres such that they roll in the direction of travel. The rolling direction is indicated by a symbol (e.g. an arrow) on the sidewall.

Tyres fitted opposing the rolling direction (such as when changing a tyre) should be refitted as soon as possible. This is the only way to benefit fully from the design properties of the tyre.

Pay attention to legal requirements when disposing of tyres.



Tyre pressure

Check tyre pressure at least every 14 days and prior to any long journey; the tyres should be checked when cold. Don't forget to check the spare ✱.

Remove the valve cap key from the tank flap and use it to unscrew the valve cap.

Tyre pressure ⇨ 179, ⇨ 180 and on the adhesive label on the inside of the tank flap.

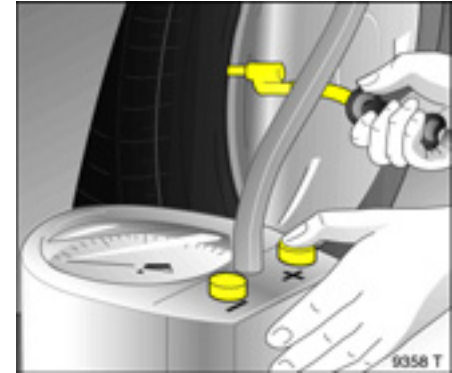
The tyre pressure data is for cold tyres. It applies to both summer and winter tyres.

Always inflate the spare wheel ✱ to the pressure specified for full load.

Do not reduce tyre pressure when the tyres are warm. Otherwise the pressure may drop below the permissible minimum when the tyres cool down.

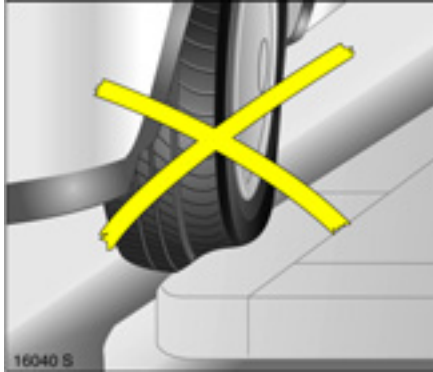
After having checked the tyre pressure, tighten the valve caps using the valve cap key.

Incorrect inflation pressures will impair safety, vehicle handling, comfort and fuel economy and will increase tyre wear.



⚠ Warning

If the pressure is too low, this can result in considerable tyre warm-up and internal damage, leading to tread separation and even to tyre blow-out at high speeds.



Tyre condition, wheel condition

Drive over edges slowly and at right angles if possible. Driving over sharp edges can cause tyre and wheel damage. Do not trap tyres on the kerb when parking.

Regularly check the wheels for damage. Seek the assistance of a workshop in the event of damage or unusual wear.

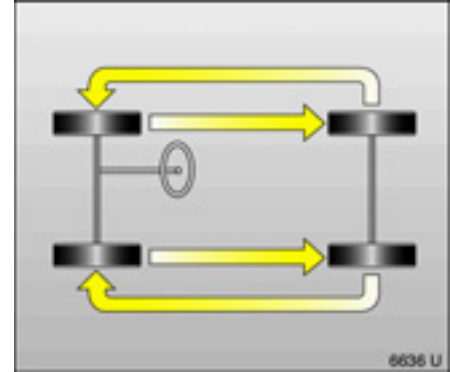


Tread depth

Check tread depth regularly.

For reasons of safety, tyres should be replaced when their tread depth has worn down to 2 to 3 mm (winter tyres: 4 mm).

The legally permissible minimum tread depth (1.6 mm) has been reached when the tread has worn down as far as one of the wear indicators (TWI¹⁾). A number of wear indicators are spaced at equal intervals around the tyre within the tread. Their position is indicated by markings on the tyre sidewall.



If wear in the front is greater than that in the rear, switch the front wheels with the rear ones.

Correct tyre pressure.

¹⁾ TWI = Tread Wear Indicator.

General information

- The danger of aquaplaning is greater if the tyres are worn.
- Tyres age, even if they are little used or not used at all. We recommend tyre replacement no later than every 6 years.
- Never fit used tyres the previous history and use of which you do not know.

Tyre designations

Meanings:

e.g. **175/70 R 14 79 T**

- 175** = Tyre width in mm
- 70** = Cross-section ratio (tyre height to tyre width in %)
- R** = Belt type Radial
- 14** = Rim diameter in inches
- 79** = Load index e.g.: 79 corresponds to 437 kg
- T** = Speed code letter

Speed code letters:

- Q** = up to 100 mph (160 km/h)
- S** = up to 112 mph (180 km/h)
- T** = up to 118 mph (190 km/h)
- H** = up to 130 mph (210 km/h)
- V** = up to 150 mph (240 km/h)
- W** = up to 168 mph (270 km/h)

Winter tyres *

Instructions on fitting new tyres ⇨ 114.

Limitations ⇨ 179.

Winter tyres improve driving safety at temperatures below 7 °C.

The design of summer tyres means they have limited qualities for winter driving.

In accordance with country-specific regulations, affix the speed sticker * in the driver's field of view.

Use of a spare wheel fitted with a summer tyre may affect the vehicle's driveability, especially on slippery road surfaces.

Obtain a replacement for the faulty tyre as soon as possible, and have the wheel balanced and fitted to the vehicle.

Wheel trims *

The use of wheel trims and tyres that Vauxhall has approved for the vehicle and therefore fulfil all requirements for the appropriate combination of wheels and tyres.

If the wheel trims and tyres used are not Vauxhall-approved, the tyres must not have a beaded edge.

Wheel trims must not impair brake cooling.

Remove the wheel trims if fitting tyre chains *.

⚠ Warning

Use of unsuitable tyres or wheel trims could lead to sudden loss of air and thereby accidents.



Tyre chains *

Limitations ⇨ 179.

Tyre chains are only permitted on the driven wheels (front axle). They must be fitted to the tyres symmetrically in order to achieve a concentric fit.

Always use fine mesh chains that add no more than 10 mm to the tyre tread and the inboard sides (including chain lock).

Remove the wheel trims when using tyre chains ⇨ 130.

Tyre chains may only be used at speeds up to 30 mph (50 km/h). When travelling on roads that are free of snow, they may only be used for brief periods.

⚠ Warning

Damage may lead to tyre blowout.

Tyre chains must not be used on the temporary spare wheel. If you need to use tyre chains after suffering a flat front tyre, fit the temporary spare on the rear axle and transfer one of the rear wheels to the front axle.

Roof racks*

For safety reasons and to avoid roof damage we recommend using the Vauxhall roof rack system that is approved for your vehicle.

Follow the usage instructions for the roof rack.

Remove the roof rack when not in use.

Remove the covers from the roof rack mounting apertures.

Driving hints ⇨ 102.

Towing equipment*

Only use towing equipment that has been approved for your vehicle. Entrust retrofitting of towing equipment to a workshop. It may be necessary to make changes that affect the cooling system, heat shields or other equipment.

Installation dimensions of towing equipment ⇨ 184.

Towing equipment with fixed coupling ball bar*

In the case of caravans/trailers with brake, attach break-away stopping cable to eye to right of coupling ball bar.

Caravan/trailer towing**Caravan and trailer loads¹⁾**

The permissible caravan/trailer loads are vehicle and engine-dependent maximum values which must not be exceeded. The actual caravan/trailer load is the difference between the actual gross weight of the caravan/trailer and the actual coupling socket load with the caravan/trailer coupled.

The permissible caravan/trailer loads are specified in the vehicle documents. In general, they are valid for gradients up to max. 12%.

The permitted caravan/trailer load applies up to the specified incline and up to an altitude of 1000 metres above sea level. Since engine power decreases as altitude increases because of the air becoming thinner, therefore reducing climbing ability, the permitted towing weight also decreases by 10% for every 1000 metres of additional altitude. The towing weight does not have to be reduced when driving on roads with slight inclines (less than 8%, e.g. motorways).

The permissible gross train weight must not be exceeded. This weight is specified on the identification plate ⇨ 171.

¹⁾ Observe national regulations.

Coupling socket load

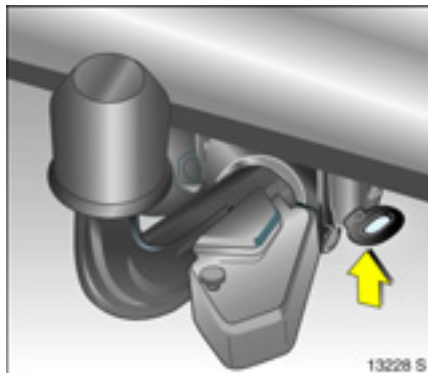
The coupling socket load is the load exerted by the caravan/trailer on the coupling ball. It can be varied by changing the weight distribution when loading the caravan/trailer.

The maximum permissible coupling socket load (50 kg) is specified on the towing equipment identification plate and in the vehicle documents. Always aim for the maximum load, especially in the case of heavy caravans/trailers. The coupling socket load should never fall below 25 kg.

When measuring the coupling socket load, make sure that the drawbar of the loaded caravan/trailer is at the same height as it will be when the caravan/trailer is coupled with the towing vehicle loaded. Particularly important for caravans/trailers with tandem axle.

Rear axle load during towing

The permissible axle loads must not be exceeded.



Driving characteristics, towing tips

In the case of caravans/trailers with brakes, attach breakaway stopping cable to eye.

Before attaching the caravan/trailer, lubricate the ball of the caravan/trailer towing device. However, do not lubricate the ball if a stabiliser, which acts on the coupling ball, is being used to damp hunting.

Check caravan/trailer lighting before starting to drive. The fog tail lights on the vehicle are deactivated when towing a caravan or trailer.

Caravans/trailers with LED turn signals require a provision that make bulb replacement as with standard bulbs possible.

Handling is greatly influenced by the loading of the caravan/trailer. Loads should therefore be secured so that they cannot slip and be placed in the centre of the caravan/trailer if possible, i.e. above the axle.

In the case of trailers with low driving stability, do not exceed a speed of 50 mph (80 km/h); the use of a friction-type stabiliser is highly recommended.

If the caravan/trailer starts to sway, drive more slowly, do not attempt to correct the steering and brake sharply if necessary.




If it is necessary to apply the brakes fully, depress the brake pedal as hard as possible.

Remember that the braking distance for vehicles towing caravans/trailers with and without brake is always greater than that for vehicles not towing a caravan/trailer.

When driving downhill, drive in the same gear as if driving uphill and drive at a similar speed.

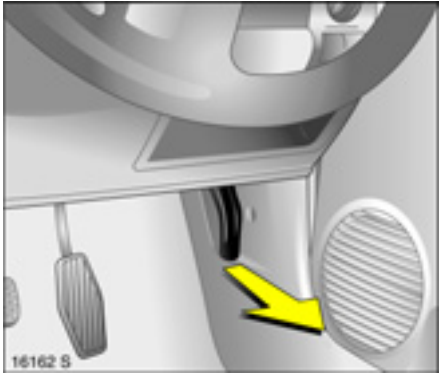
Adjust tyre pressure to the value specified for full load ⇨ 115, ⇨ 179.

Self-help, vehicle care

- Diesel fuel system, bleeding 121
- Bonnet 121
- Starting the engine with jump leads * 122
- Towing 124
- Warning triangle  * and first-aid kit (cushion)  * 126
- Spare wheel * 127
- Jack  * and vehicle tools * 129
- Changing wheels 130
- Tyre repair kit * 135
- Electrical system 138
- Fuses and the most important circuits they protect 140
- Bulb replacement 144
- Vehicle care 154


Diesel fuel system, bleeding

If the tank is allowed to run dry, the diesel fuel system must be bled. Turn over the ignition three times for 15 seconds at a time. Then start the engine for a maximum of 40 seconds¹⁾. Repeat this process after no less than 5 seconds. If the engine fails to start, seek the assistance of a workshop.



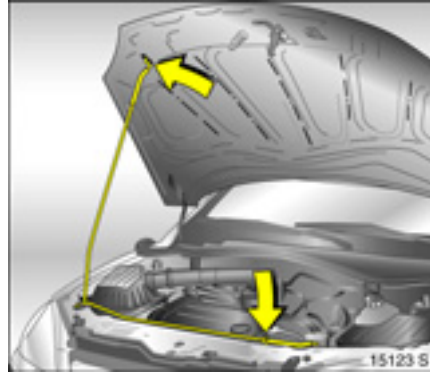
Bonnet

Pull the release lever located on the driver's side below the instrument panel. Return the release lever to its original position.

¹⁾ For technical reasons, only 30 seconds is possible for engine Z 17 D TH. Sales designation  173.



Lift the safety catch and open the bonnet. Dirt or snow on the bonnet may drop onto the windscreen when the bonnet is opened and block the air intake. Air intake ⇨ 95.



Secure the bonnet support. Before closing the bonnet, press the support into the holder.

Lower the bonnet and allow it to drop into the catch. Check that the bonnet is engaged.

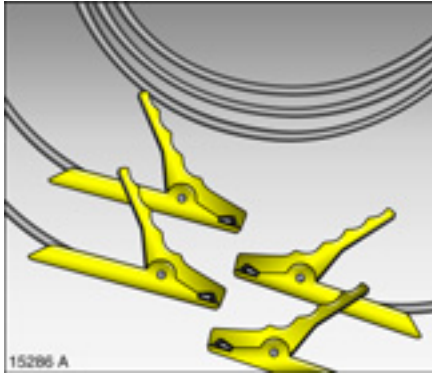
Starting the engine with jump leads*

Do not start by quick charger or by pushing or towing.

A vehicle with a discharged battery can be started using jump leads and the battery of another vehicle.

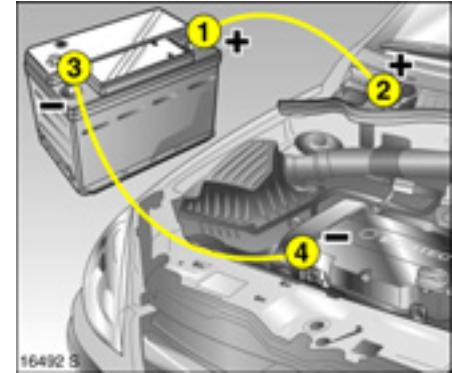
⚠ Warning

Starting the engine with jump leads must be carried out with the utmost caution. Any deviation from the following instruction may lead to injury or damage due to the explosion of the batteries and to damage of the electrics in both vehicles.



- Never expose the battery to naked flames or sparks.
- A flat battery can freeze even at temperatures around 0 °C. Thaw out a frozen battery before connecting jump leads.
- Do not allow battery fluid to come into contact with eyes, skin, fabrics or painted surfaces. The fluid contains sulphuric acid which can cause injuries and damage in the event of direct contact.
- Wear eye protection and protective clothing when handling a battery.

- Use a booster battery with the same voltage (12 volts). Its capacity (Ah) must not be much less than that of the discharged battery.
- Use jump leads with insulated terminals and a cross section of at least 16 mm² (25 mm² for diesel engines).
- Do not disconnect the discharged battery from the vehicle.
- Switch off all unnecessary electrical consumers.
- Do not lean over the battery during jump starting.
- Do not allow the terminals of one lead to touch those of the other lead.
- Do not touch the vehicles while jump starting.
- Apply the handbrake and engage neutral gear.



Lead connection order:

1. Connect the red lead to the positive terminal 1 of the booster battery.
2. Connect the other red lead to the positive terminal 2 of the discharged battery.
3. Connect the black lead to the negative terminal 3 of the booster battery.
4. Connect the other end of the black lead 4 to a vehicle grounding point, such as the engine block or a screw connection in the engine suspension. Connect the lead as far away from the discharged battery as possible.

Route the leads so that they cannot catch on rotating parts in the engine compartment.

To start the engine:

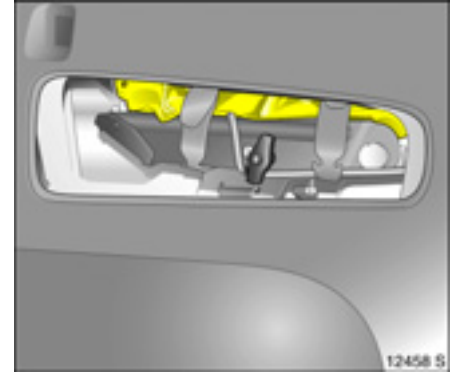
1. Start the engine of the vehicle providing the jump start.
2. After 5 minutes, start the other engine. Start attempts should be made at intervals of 1 minute not last longer than 15 seconds.
3. Allow both engines to idle for approx. 3 minutes with the leads connected.
4. Switch on electric loads (e.g. light, heated rear window) of the vehicle receiving the jump start.
5. Reverse above sequence exactly when removing leads.



Towing

Towing your own vehicle

Disengage cap at bottom and remove downwards.



The towing eye is located in the bag for vehicle tools ✱, behind the cover on the right side of the load compartment or in the compartment for the tyre repair kit behind the cover on the left side of the load compartment.

Jack ✱ and vehicle tools ✱ ⇨ 129.



Screw in the towing eye anticlockwise as far as it will go until it stops in a horizontal position.

Attach a tow rope * – or better still a tow rod * – to the eye.

The towing eye is only to be used for towing and not for vehicle recovery.

Switch on ignition to release steering column lock and to permit operation of brake lights, horn and windscreen wiper.

Manual transmission in neutral; Easytronic * in N.

Caution
Drive slowly. Do not drive jerkily. Excessive tractive force can damage the vehicle.

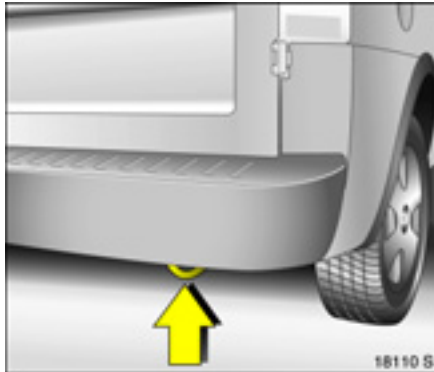
When the engine is not running, considerably more force is needed to brake and steer.

To prevent the entry of exhaust fumes from the towing vehicle, switch on the air recirculation * and close the windows.

Contact a workshop for assistance.

If the automatic clutch has been manually disengaged on a vehicle with Easytronic * towing is not permitted ⇨ 101. In this case, contact a workshop for assistance immediately.

After towing, unscrew the towing eye clockwise and refit the cover.

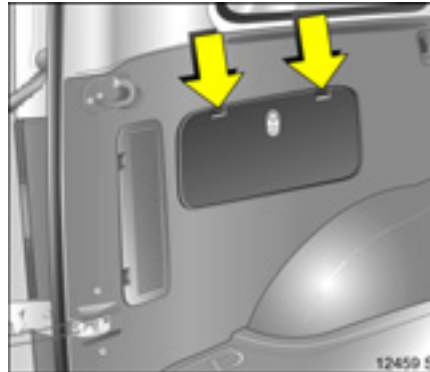


Towing another vehicle

Attach a tow rope * – or better still a tow rod * – to the rear towing eye on the right side of the vehicle underbody, but never to the rear axle.

The towing eye is only to be used for towing and not for vehicle recovery.

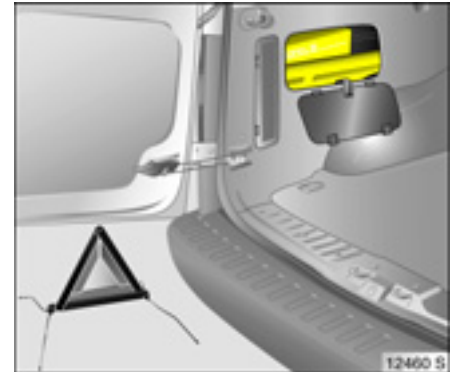
Caution
Drive slowly. Do not drive jerkily. Excessive tractive force can damage the vehicle.



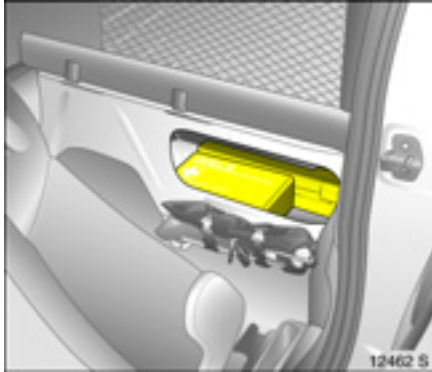
Warning triangle ▲* and first-aid kit (cushion) ⊕*

Combo

The warning triangle and first-aid kit (cushion) are stowed in a compartment in the side panel trim on the left-hand side.

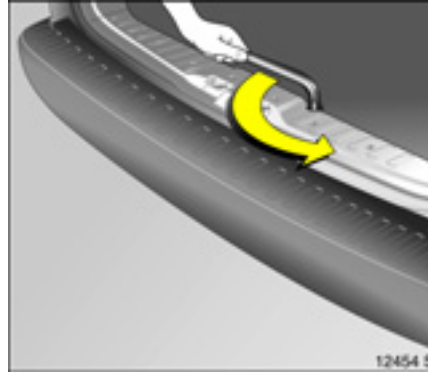


Release flap by pressing retaining lugs.



Combo Crew van

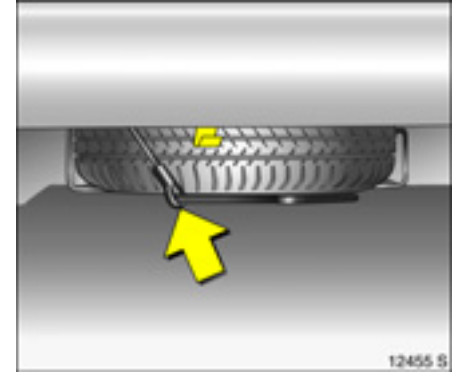
The warning triangle and the first aid cushion or box are kept in the compartment behind the driver's seat. When the vehicle is being loaded, please ensure that nothing protrudes over the bottom edge of the opening. Disengage flap * by pressing retaining lug and remove.



Spare wheel *

The spare wheel is stored beneath the floor.

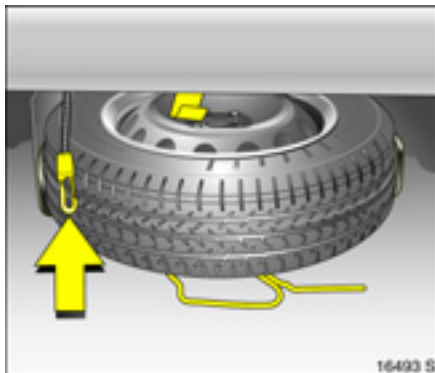
1. Fully release the hexagon bolt in the load compartment floor using the wheel bolt wrench. Vehicle tools ⇨ 129.
2. Lift the spare wheel holder.



3. Unhook the catch and lower the spare wheel holder.
4. Detach the safety cable.
5. Lower the holder fully and take out the spare wheel.

Vehicles with a temporary spare wheel * have a spacer ring between the temporary spare and the vehicle underbody.

6. Changing wheels ⇨ 130.



7. Place the replaced wheel in the spare wheel holder with the outside of the wheel facing upwards.
If a full specification wheel is stowed, do not fit the spacer ring between the wheel and the vehicle underbody.
8. Lift the spare wheel holder, insert the safety cable.
9. Lift the spare wheel holder and engage in the catch. The open side of the catch must point towards the rear.
10. Turn the hexagon bolt in the load compartment floor with the wheel bolt wrench to raise the spare wheel holder all the way up.

General information

Depending on the version, the spare wheel may be designed for use as a temporary spare *****. The temporary spare is designated by a sticker on the rim. Follow the instructions on this page and on ⇨ 118, ⇨ 179.

On vehicles with alloy wheels ***** the spare wheel may have a steel rim.

Use of a spare wheel together with winter tyres could alter driving conditions. Have the defective tyre replaced as soon as possible.

Use of a spare wheel that is smaller than the other wheels could alter driving conditions. In many countries, it is only permitted as a temporary spare wheel. Have the defective tyre replaced as soon as possible.

Notes on temporary spare wheel *****

- Using a temporary spare wheel may change the driving behaviour of the vehicle, particularly if using winter tyres *****. Replace defective tyre as quickly as possible, balance wheel and fit to vehicle.
- Fit only one temporary spare wheel.
- Do not drive faster than 50 mph (80 km/h).
- Take curves slowly.
- Do not use the temporary spare wheel for a lengthy period.
- Replace temporary spare wheel with full specification wheel without delay.
- Do not use tyre chains. If tyre chains must be used when one of the front tyres has a flat, mount the temporary spare wheel on the rear axle and transfer one of the rear wheels to the front axle. Check the tyre pressure and correct if necessary ⇨ 115, ⇨ 179.
- Follow temporary spare wheel instructions ⇨ 118, ⇨ 179.

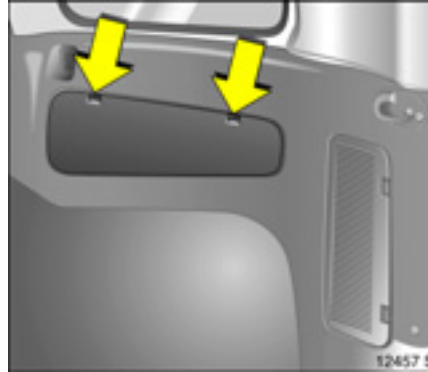
Information on directional tyres *

Fit directional tyres such that they roll in the direction of travel. The rolling direction is indicated by a symbol (e.g. an arrow) on the sidewall.

The following applies to tyres fitted opposing the rolling direction:

- Driving conditions may be altered. Have the defective tyre replaced as soon as possible.
- Do not drive faster than 50 mph (80 km/h).
- Drive especially carefully in wet and snowy weather.

Further information on directional tyres
 ⇨ 114.

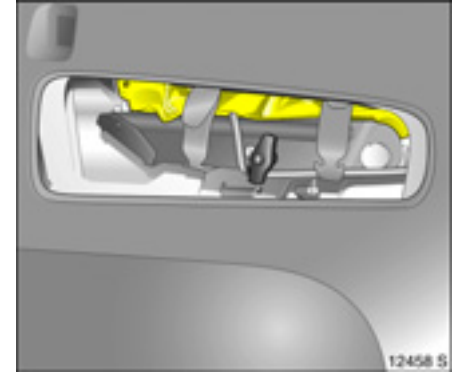
**Jack  and vehicle tools ***


The jack and the vehicle tools have been specially developed for your vehicle and must only be used on that vehicle. Only use jack for changing wheels.

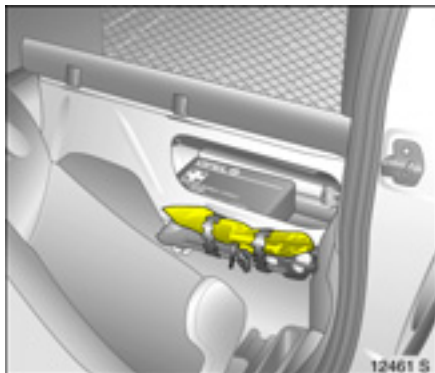
Combo

The jack and the vehicle tools are located in a stowage compartment in the side panel trim on the right-hand side.

Release the flap by pressing the retaining lugs - see Fig. 12457 S.



The jack is secured in place by a wing screw. The vehicle tools are secured to the jack  with rubber bands.



Combo Crew van

The jack and the vehicle tools are secured behind the driver's seat.

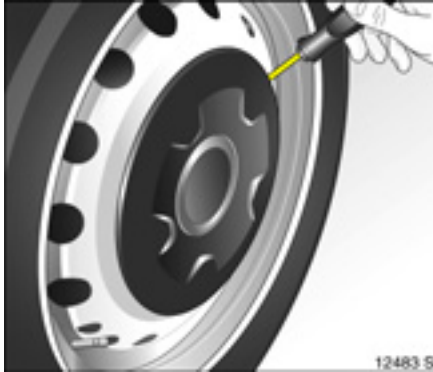
The jack is secured in place by a wing screw. The vehicle tools are secured to the jack with rubber bands.

Changing wheels

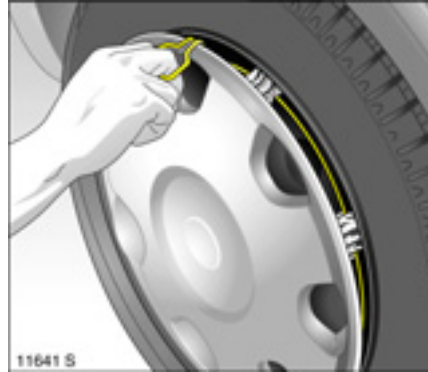
There may be a tyre repair kit instead of a spare wheel ↪ 135.

Make the following preparations and observe the following information:

- Park the vehicle on a level, firm and non-skid surface. The front wheels must be in the straight-ahead position.
 - Switch on the hazard warning flashers, apply the handbrake, engage first gear or reverse.
 - Set up the warning triangle correctly. Warning triangle ↪ 126.
 - Remove the spare wheel from beneath the vehicle floor ↪ 127.
 - Never change more than one wheel at once.
- Use the jack only to change wheels.
 - If the ground on which the vehicle is standing is soft, a solid board (max. 1 cm thick) should be placed under the jack.
 - Block the wheel diagonally opposite the wheel to be changed by placing wedge blocks or equivalent in front and behind the wheel.
 - No people or animals may be in the vehicle when it is jacked up.
 - Never crawl under a jacked-up vehicle.
 - Do not start the vehicle when it is raised on the jack.
 - Before screwing in the wheel bolts, clean them and lightly coat the taper of each wheel bolt with commercially available grease.

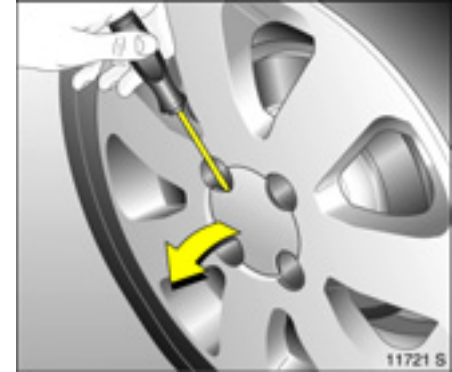


1. Prise off the hub cap using a screwdriver, positioning the screwdriver at the recess at the side of the hub cap. Vehicle tools ↗ 129.



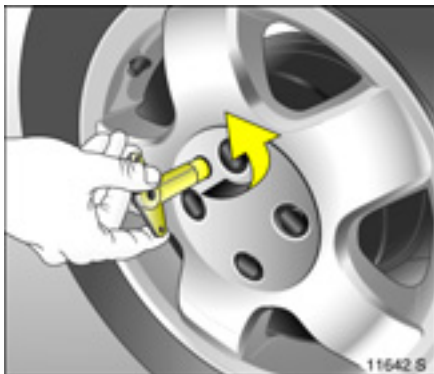
Pull off the wheel trim with the hook ✱.
Vehicle tools ↗ 129.

On some versions, the wheel trim is removed together with the wheel bolts. For wheel trims with visible wheel bolts ✱, the trim can remain on the wheel. The retaining rings ✱ at the wheel bolts must not be removed.

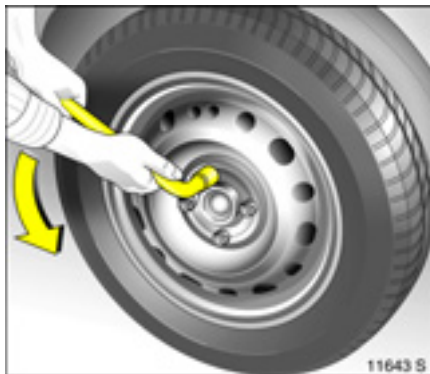


Alloy wheels ✱: Prise off the hub cap using a screwdriver, positioning the screwdriver at the recess at the side of the hub cap. Protect the rim by placing a soft cloth between the screwdriver and rim.

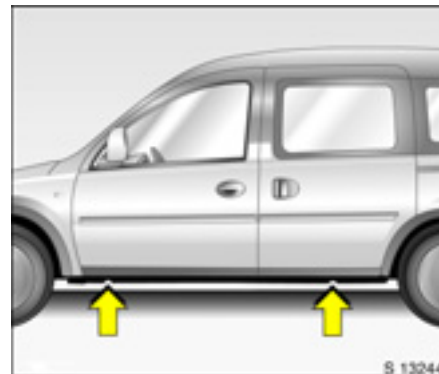
Remove wheel bolt caps ✱ from wheel bolts.



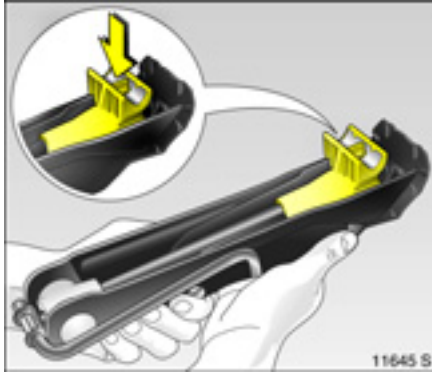
Alloy wheels with an anti-theft lock *****: unscrew the hub cap with anti-theft key and remove it. Vehicle tools ⇨ 129.



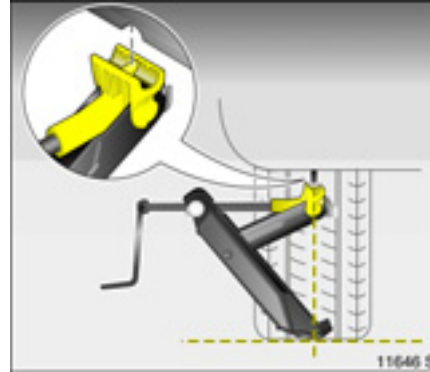
2. Push the wheel bolt wrench ***** on as far as possible and slacken the wheel bolts half a turn.



3. The jacking points are marked.



4. Pre-adjust the jack * to the required height. Position the jack arm in the front or rear so that the jack claw (arrow in picture) grips the vertical web in the recess. Make sure that it is correctly seated.

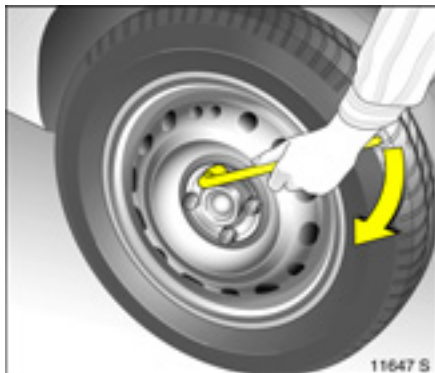


The edge of the jack base must be planted firmly and vertically in line with the contact point.

Raise vehicle by turning crank handle.

If this is not the case, carefully lower the vehicle immediately and reposition the jack.

5. Unscrew the wheel bolts.
On some versions, the wheel trim is removed together with the wheel bolts.
If there are lock washers * on the wheel bolts, these must not be removed.
6. Changing wheels. Notes on spare wheel ⚡ 127. Notes on temporary spare wheel ⚡ 118, ⚡ 128, ⚡ 179.



7. Screw in the wheel bolts. Push the wheel bolt wrench * on as far as possible and tighten the wheel bolts slightly.

On some versions, the wheel trim must be positioned before the wheel bolts are tightened.

8. Lower vehicle.

9. Push the wheel bolt wrench * on as far as possible and tighten crosswise. Tightening torque is 110 Nm.

Alloy wheels *: put hub cap on and engage, inserting pin on rear of hub cap into required hole in wheel.

Alloy wheels with anti-theft lock *: Put hub cap on. Insert and tighten anti-theft lock *.

10. Before refitting the wheel trim, clean the wheel around the retaining clips. Valve symbol * on back of wheel trim must point towards valve on wheel.

Align and engage hub cap or wheel trim * and wheel bolt caps *.

11. Stow the replaced wheel, tools and warning triangle ▷ 126, ▷ 129.
12. Check the tyre pressure of the newly mounted wheel.
13. Have the wheel bolt tightening torque (110 Nm) checked.
14. Replace the faulty tyre on the wheel that was removed.

Tyre repair kit *

Minor damage to the tyre tread or sidewall can be repaired with the tyre repair kit.

Do not remove the foreign body from the tyre.

Tyre damage exceeding 4 mm or that is on the rim cannot be repaired with the tyre repair kit.

⚠ Warning

Do not drive faster than 50 mph (80 km/h).

Do not use the temporary spare wheel for a lengthy period.

Steering and handling may be affected.

Important information ↗ 138.

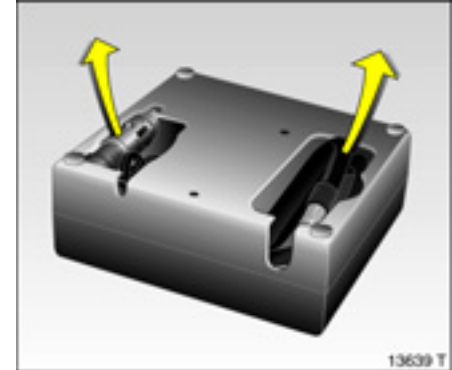
In the event of a flat tyre:

- Switch on the hazard warning flashers, apply the handbrake, engage first gear or reverse.
- Set up the warning triangle correctly. Warning triangle ↗ 126.

On the Combo, the tyre repair kit is located behind a cover on the left in the side trim of the load compartment. On the Combo Crew van, it is located in a compartment behind the driver's seat.

To open the cover *, press to release the retaining lugs.

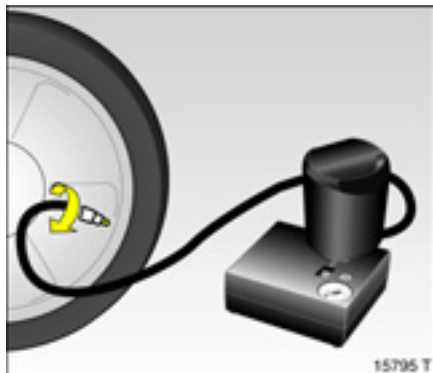
1. Remove bag containing tyre repair kit from compartment. Carefully remove parts from bag.
2. Remove the compressor.



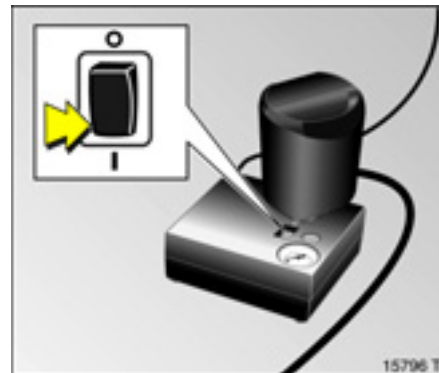
3. Remove the electrical connection cable and air hose from the storage compartments on the underside of the compressor.



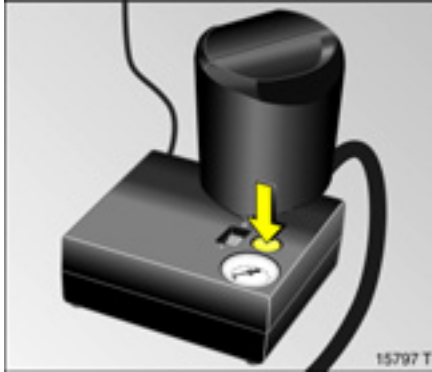
4. Screw the compressor air hose to the connection on the sealant bottle.
5. Fit the sealant bottle in the retainer on the compressor.
Set the compressor near the tyre in such a way that the sealant bottle is upright.
6. Remove the valve cap from the defective tyre.



7. Screw the filler hose to the tyre valve.
8. The switch on the compressor must be set to **O**.
9. Plug the compressor connector into the accessory socket or the cigarette lighter socket. Accessory socket ↪ 59.
10. Switch on ignition.
To prevent battery discharge, we recommend that you leave the engine running.



11. Set the rocker switch on the compressor to **I**. The tyre is filled with sealant.
12. While the sealant bottle drains (approx. 30 seconds) the pressure indicator on the compressor briefly points to 87 psi (6 bar). Pressure then sinks again.
13. All of the sealant is pumped into the tyre. Afterwards, the tyre is filled with air.
14. The prescribed tyre pressure should be reached within 10 minutes. Tyre pressure ↪ 115, ↪ 179. Switch off the compressor when the correct pressure is obtained.

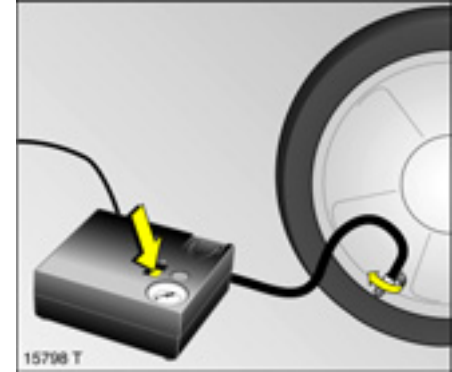


If the prescribed tyre pressure is not reached within 10 minutes, remove the tyre repair kit. Move the vehicle by one tyre rotation. Attach the tyre repair kit again and continue the filling procedure for 10 minutes. If the prescribed tyre pressure is still not reached, the tyre is too damaged to repair. Contact a workshop.

Drain excess tyre pressure with the button over the pressure indicator.

Do not run the compressor for more than 10 minutes - see "Important information" ⇨ 138.

15. Detach the tyre repair kit. Screw the filler hose to the free connection on the sealant bottle. This prevents sealant leakage. Stow the tyre repair kit in the load compartment.
16. Wipe away any sealant spill with a cloth.
17. Collapse the warning triangle and stow it in the load compartment or stowage compartment ⇨ 126.
18. Take the supplied sticker indicating maximum permitted speed and affix it in the driver's field of view.
19. Continue driving immediately to allow the sealant to distribute evenly throughout the tyre. Stop after approx. 6 miles (10 km) but no more than 10 minutes and check tyre pressure. Screw the compressor air hose directly onto the tyre valve - see Fig. 15798 T.



If tyre pressure is more than 19 psi (1.3 bar), adjust to the prescribed value. Repeat the procedure until there is no more pressure loss.

If the tyre pressure has dropped below 19 psi (1.3 bar), the vehicle must not be used. Contact a workshop for assistance.

20. Stow the tyre repair kit ⇨ 135.

Important

The driving comfort of the repaired tyre is greatly lessened. Have such tyres replaced.

If the compressor makes abnormal noises or heats up greatly, switch it off for at least 30 minutes.

The integrated safety valve opens at a pressure of 102 psi (7 bar).

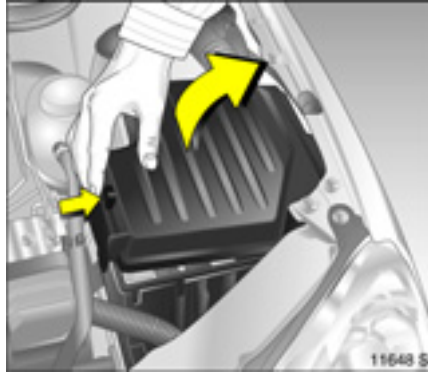
Protect the compressor from moisture and rain.

The sealant can only be stored for approx. 4 years. After this time, the sealing properties can no longer be guaranteed. Heed the expiration date on the sealant bottle.

Replace the used sealant bottle. Dispose of the bottle as prescribed by applicable laws.

The compressor and the sealant can be used from approximately -30 °C.

The adaptor which is located on the underside of the compressor can be used to inflate other items such as balls, air beds and inflatable boats. To remove, screw on the compressor air hose and pull out the adaptor.



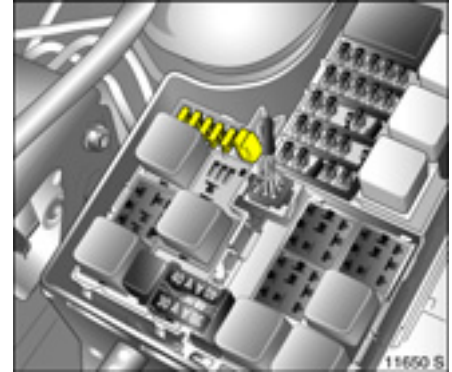
Electrical system

Fuses

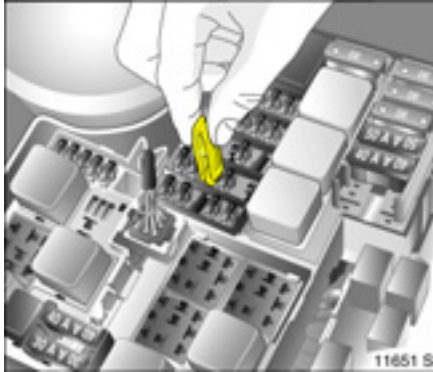
Data on the replacement fuse must match the data on the defective fuse.

The fuse box is located in the engine compartment next to the coolant expansion tank.

Disengage cover of fuse box from lug and lift off.

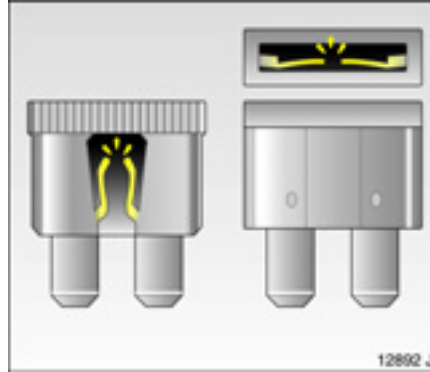


Store spare fuses in the place provided in the fuse box, to the right of which there is a fuse extractor which facilitates fuse replacement (spare fuses and the fuse extractor are marked in yellow in the - see Fig. 11650 S).



Before replacing a fuse, turn off the respective switch and the ignition.

Slot fuse-gripping tool onto fuse and withdraw it.



A defective fuse can be recognized by its melted wire. A new fuse should only be installed after the cause of the trouble has been rectified.

Always use fuses with the correct current value. This is shown on each fuse, and is also indicated by the fuse colour and the plug-in location in the fuse box.

Different versions of fuses are used.



Fuses and the most important circuits they protect

Some circuits may be protected by several fuses.

The figures on pages 140, 141 depict the fuse boxes of vehicles with engine Z 13 DTJ¹⁾. Fuse boxes of other engines are depicted on pages 142, 143.

No. Circuit

- 1 Central control unit
- 2 Engine control unit

No. Circuit

- 3 Instruments, information display, light switch, horn, hazard warning lights, electronic immobiliser
- 4 Towing equipment, number plate lights

No. Circuit

- 5 Electric window (left)
- 6 –
- 7 –
- 8 Starter
- 9 Fuel injection system, fuel pump, stationary heater
- 10 Horn
- 11 Central control unit
- 12 Information display, infotainment system
- 13 Vauxhall alarm system
- 14 Exterior mirrors
- 15 Windscreen wash system
- 16 Courtesy light
- 17 Central control unit
- 18 –

¹⁾ Sales designation ↗ 173.



- No. Circuit
- 26 Seat heater (right)

- No. Circuit
- 19 Electric window (right)
- 20 –
- 21 –
- 22 Central control unit, immobiliser
- 23 Windscreen wiper
- 24 Infotainment system, information display, light switch, courtesy light, instruments, EPS

- No. Circuit
- 25 Reversing lights, cigarette lighter, accessory socket



- | No. | Circuit |
|-----|------------------------------------|
| 30 | Engine control unit |
| 31 | Air conditioning system |
| 32 | ABS, Easytronic, airbag |
| 33 | Engine control |
| 34 | Diesel filter heater |
| 35 | Power windows, Infotainment system |
| 36 | Dipped beam (left) |
| 37 | Dipped beam (right) |

- | No. | Circuit |
|-----|--------------------|
| 27 | Seat heater (left) |

- | No. | Circuit |
|-----|-------------------|
| 28 | ABS |
| 29 | Rear window wiper |

**No. Circuit**

- 38 Left tail light, left parking light
- 39 Right tail light, right parking light
- 40 Brake lights
- 41 Front fog lights
- 42 Fog tail light
- 43 Main beam (left)
- 44 Main beam (right)
- 45 Ventilation fan
- 46 Engine control unit
- 47 Heated rear window
- 48 Starter
- 49 EPS
- 50 ABS
- 51 Petrol engine: Easytronic
Diesel engine: engine control unit

No. Circuit

- 52 Radiator fan

No. Circuit

- 53 Cooling fan, air conditioning system
- 54 Easytronic

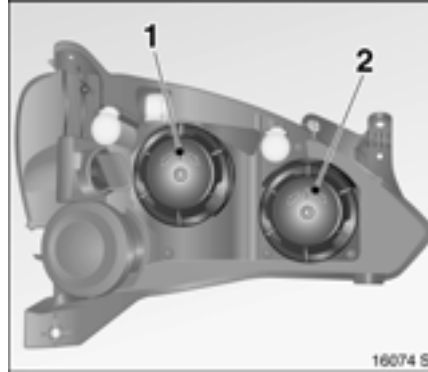
Bulb replacement

Switch off the ignition and turn off the relevant switch or close the doors.

Only hold a new bulb at the base! Do not touch the bulb glass with your bare hands.

The replacement bulb must be in accordance with the data on the base of the defective bulb. Do not exceed wattage given on bulb base.

To change the bulbs on the left side, open the fuse box cover. With the Z 13 DTJ engine¹⁾, also pull the relay box in front of the fuse box upwards out of the guides. Pull off the air hose on the air filter on the right.

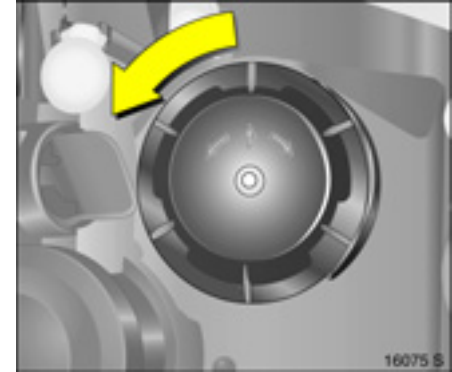


Halogen headlight system, dipped and main beam

The headlight system has separate systems for dipped beam 1 (outer bulbs) and main beam 2 (inner bulbs).

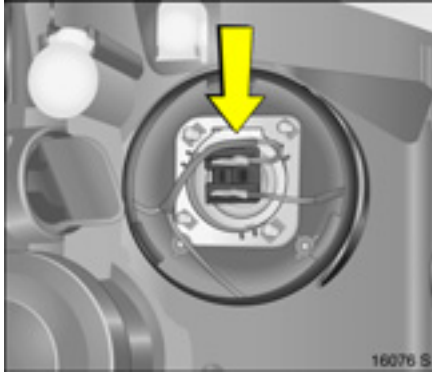
Dipped beam

1. Open bonnet and engage support.

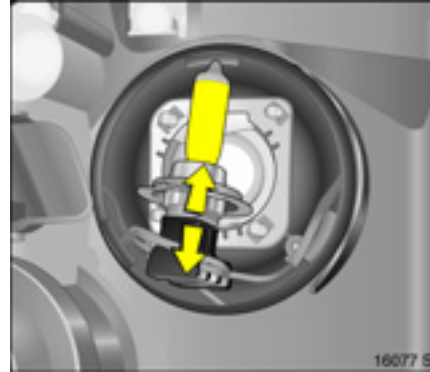


2. Rotate the cap anticlockwise and remove.

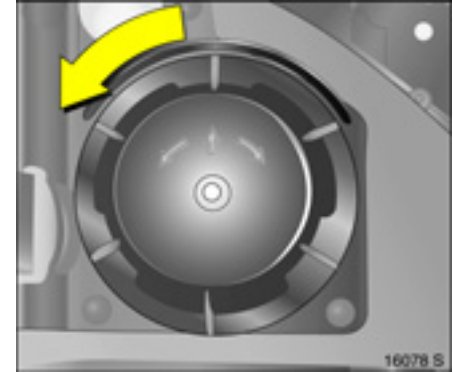
¹⁾ Sales designation ↻ 173.



3. Push bulb on plug connector downward.
4. Remove bulb with connector from reflector housing.

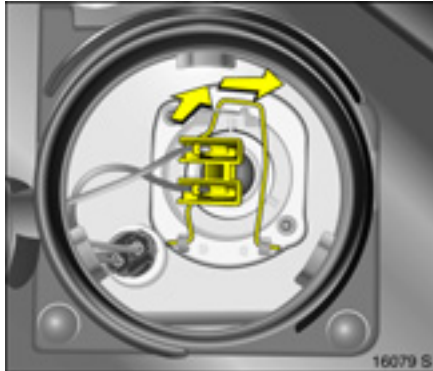


5. Detach plug connector from bulb base.
6. Plug the plug onto the new bulb.
7. Insert the bulb with connector so that the lug engages in the recess in the reflector.
8. Place headlight protective cover in position and close.

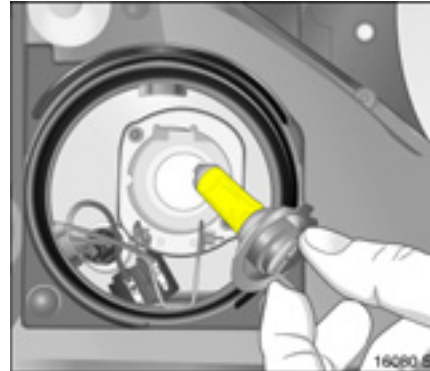


Main beam

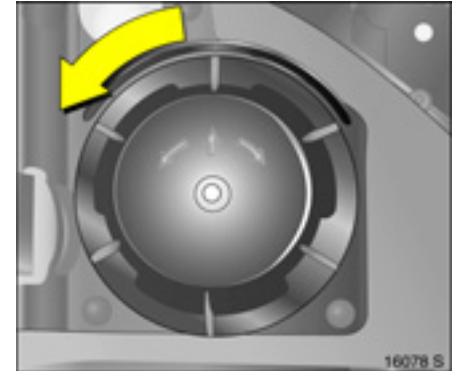
1. Open bonnet and engage support.
2. Rotate the cap anticlockwise and remove.



3. Detach plug connector from bulb.
4. Disengage spring wire clip from retaining lugs by moving it forward and swivelling it to the side.

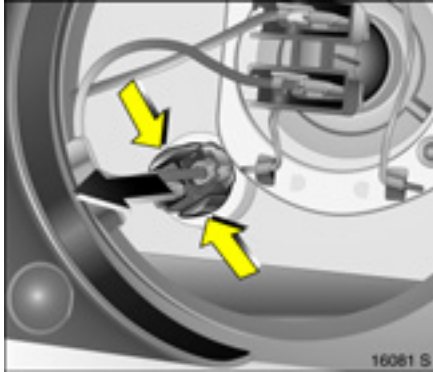


5. Remove bulb from reflector housing.
6. When fitting the new bulb, insert lugs in the reflector recesses.
7. Engage spring wire clip, plug connector onto bulb.
8. Place headlight protective cover in position and close.

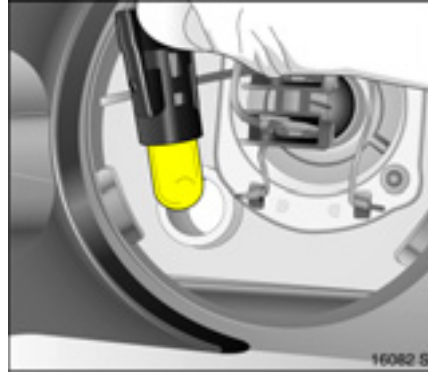


Parking lights

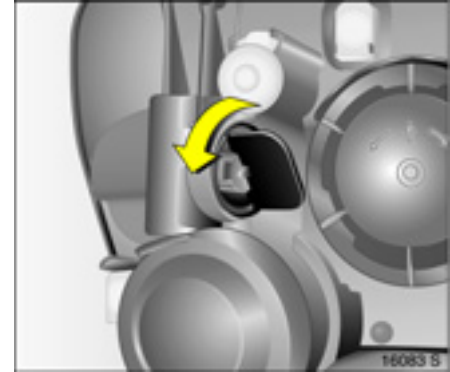
1. Open bonnet and engage support.
2. Rotate the main beam headlight cap anticlockwise and remove.
3. Detach plug connector from main beam bulb.



4. Remove side light bulb mounting from reflector.
5. Remove bulb from socket.
6. Insert new bulb.

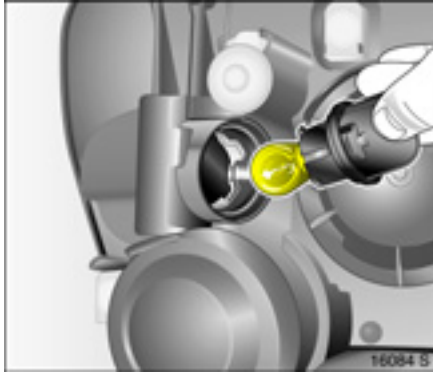


7. Insert bulb socket in reflector.
8. Attach connector to main beam bulb.
9. Place headlight protective cover in position and close.

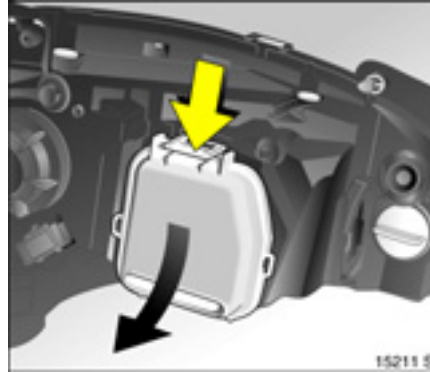


Front turn signal lights

1. Open bonnet and engage support.
2. Rotate bulb holder to left and disengage.



3. Push bulb into holder a little, rotate left and remove.
4. Insert new bulb.
5. Engage holder into reflector by rotating to the right.

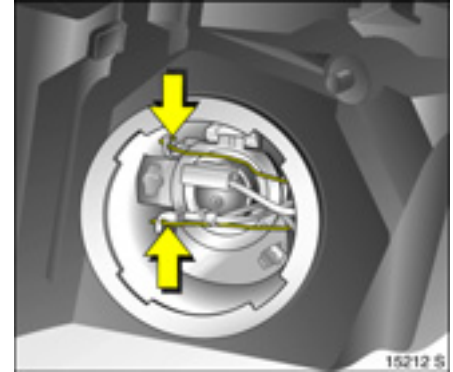


Ellipsoidal headlight system

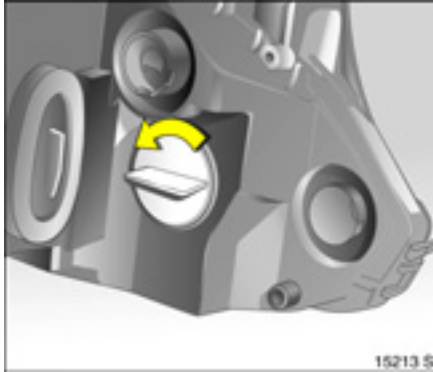
Dipped beam

Headlight system with separate bulbs for dipped beam (inner bulbs) and main beam (outer bulbs).

1. Open bonnet and engage support.
2. Remove the headlight protective cover by pressing the catch and pulling the cover downward and off.



3. Detach plug connector from bulb.
4. Disengage the spring wire clip from the lugs and swivel it aside.
5. Remove bulb from reflector housing.
6. When fitting the new bulb, insert lugs in the reflector recesses.
7. Engage spring wire clip, plug connector onto bulb.
8. Place headlight protective cover in position and close.



Front turn signal lights

1. Open bonnet and engage support.
2. Rotate bulb holder to left and disengage.



3. Push bulb into holder a little, rotate left and remove.
4. Insert new bulb.
5. Engage holder into reflector by rotating to the right.

Main beam, parking lights

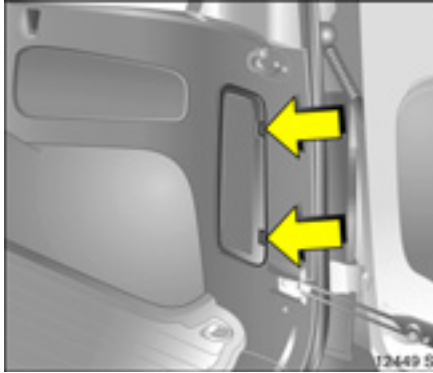
Have bulb replacement carried out by a workshop.

Side turn signal lights

Have bulb replacement carried out by a workshop.

Front fog lights*

Have bulb replacement carried out by a workshop.

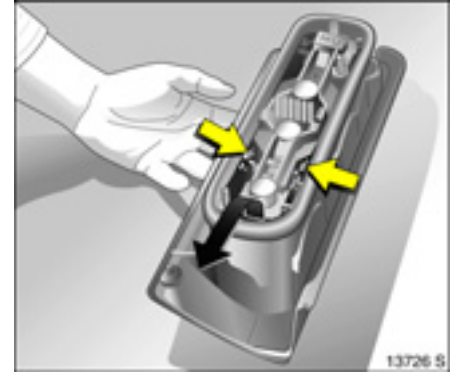


Tail lights

1. Disengage cover by pressing retaining lugs and remove.



2. Detach plug connector from bulb mounting.
3. Grip the bulb housing from the outside, slacken the two knurled nuts using the wheel bolt spanner * and unscrew by hand.
4. Detach bulb housing.
5. Press retaining lugs on bulb mounting together and remove bulb mounting, as shown in Fig. 13726 S.



- Lights from top to bottom:
Reversing light/brake light
Turn signal light
Reversing light
Fog tail light (country-specific version:
fog tail light at one side only).
6. Remove bulb from socket.
 7. Insert a new bulb. Engage the bulb mounting in the bulb housing. Insert the bulb housing into the vehicle body. Screw the fixing nuts onto setscrews by hand and tighten. Engage the plug connector. Place the cover in position and close.

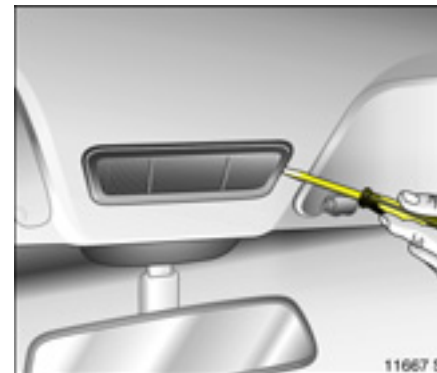


Number plate lights

1. Unscrew both screws. Remove light insert.



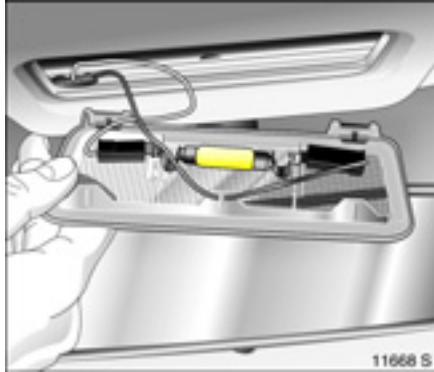
2. Press bulb slightly towards spring clip and remove.
3. Insert new bulb.
4. Insert light insert and secure using a screwdriver.



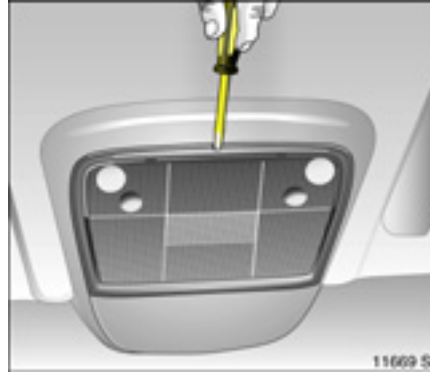
Courtesy lights

Front courtesy light

1. Pry light out of recess using a screwdriver.



2. Press bulb slightly towards spring clip and remove.
3. Insert new bulb.
4. Insert light in opening and engage in position.



Front courtesy light with reading lights *

1. Disengage and remove lens at the position shown in Fig. 11669 S using a screwdriver.
2. Remove bulb from socket.



3. Insert new bulb.
4. Mount lens and engage in position.

**Load compartment light ***

1. Prise light out of recess using a screwdriver.
2. Press bulb slightly towards spring clip and remove.
3. Insert new bulb.
4. Insert light in opening and engage in position.

Instrument illumination, Information display illumination *

Have bulb replacement carried out by a workshop.

Vehicle care

When caring for your vehicle, observe all national environmental regulations, particularly when washing it.

Regular, thorough care helps to improve the appearance of your vehicle and maintain its value over the years. It is also prerequisite for warranty claims for any paint or corrosion damage. The following pages contain tips for vehicle care which, if used properly, will help combat the unavoidable damaging effects of the environment.

Washing

The paintwork of your vehicle is exposed to environmental influences. Wash and wax your vehicle regularly. When using automatic car washes, select a programme that includes waxing.

Bird droppings, dead insects, resin, pollen and the like should be cleaned off immediately, as they contain aggressive constituents which can cause paint damage.

When using a car wash, follow the car-wash manufacturer's instructions. Switch off the windshield wiper ✱. Unscrew the antenna ✱ and remove the roof rack ✱.

If you wash your vehicle by hand, make sure that the insides of the wings are also thoroughly rinsed out.

Clean edges and folds on opened doors and flaps as well as the areas they cover.

Thoroughly rinse off and leather-off the vehicle. Rinse leather frequently. Use separate leathers for paint and window surfaces: remnants of wax on the windows will impair vision.

Polishing and waxing

Wax the vehicle regularly (at the latest when water no longer beads). Otherwise, the paintwork will dry out.

Polishing is necessary only if the paint has become dull or if solid deposits have become attached to it.

Paintwork polish with silicone forms a protective film, making waxing unnecessary.

Plastic body parts should not be treated with wax and polish.

Wheels and tyres

Do not use high-pressure jet cleaners.

Clean wheels with a pH-neutral wheel cleaner.

Wheels are painted and can be treated with the same agents as the body.

Paintwork damage

Rectify minor paintwork damage with a touch-up pen before rust forms. Have more extensive damage or rust areas repaired by a workshop.

Exterior lights

Headlight and other light lens are made of plastic. Do not use any abrasive or caustic agents, do not use an ice scraper, and do not clean them dry.

Plastic and rubber parts

Plastic and rubber parts can be cleaned with the same cleaner as used to clean the body. Use interior cleaner if necessary. Do not use any other agent. Avoid solvents and petrol in particular. Do not use high-pressure jet cleaners.

Interior and upholstery

Clean the vehicle interior, including the instrument panel fascia, using interior cleaner.

The instrument panel is only to be cleaned with a soft, damp cloth.

Clean the fabric upholstery with a vacuum cleaner and brush. Remove stains with an upholstery cleaner.

Clean seat belts with lukewarm water or interior cleaner.

Caution

Close Velcro fasteners as open Velcro fasteners on clothing could damage seat upholstery.

Windows and windscreen wiper blades

Use a soft lint-free cloth or chamois leather together with window cleaner and insect remover.

When cleaning the rear window, make sure the heating element inside the window is not damaged.

For mechanical removal of ice, use a sharp-edged ice scraper. Press the scraper firmly against the glass so that no dirt can get under it and scratch the glass.

Clean smearing wiper blades with a soft cloth and window cleaner.

Locks

The locks are lubricated at the factory using a high quality lock cylinder grease. Use de-icing agent only where absolutely necessary, as this removes grease and impairs lock function. After using de-icing agent, have the locks regreased by a workshop.

Engine compartment

Clean painted surfaces in the engine compartment like any other painted surface.

For best results, wash and wax the engine compartment before and after winter. Before washing the engine, cover the alternator and brake fluid reservoir with plastic sheeting.

When washing the engine with a steam-jet cleaner, do not direct the steam jet at components of the anti-lock brake system *, the automatic air conditioning system * or the belt drive and its components.

After an engine wash, have all engine room components preserved thoroughly by a workshop using protective wax.

Do not use high-pressure jet cleaners.

Underbody

Some areas of the vehicle underbody have a PVC undercoating while other critical areas have a durable protective wax coating.

After the underbody is washed, check the underbody and have more protective wax applied if necessary.

Bitumen/rubber materials could damage the PVC coating. Have underbody work carried out by a workshop.

Before and after winter, wash the underbody and have the protective wax coating checked.

Towing equipment

Do not clean the coupling ball bar with a steam-jet or high-pressure jet cleaner.

Service and maintenance

Scheduled maintenance	156
Additional service work	160
Recommended fluids and lubricants .	160
Inspection system	162
Vauxhall genuine parts and accessories.....	163
Performing work	163
Engine oil	164
Diesel fuel filter	166
Coolant	166
Brakes.....	167
Brake fluid	168
Windscreen wiper replacement	168
Windscreen wash system	169
Battery	169
Protecting electronic components	169
Parking the vehicle up for a long period of time	170
Putting the vehicle back into service .	170

Scheduled maintenance

The service intervals apply to normal operating conditions. For extreme operating conditions, ⇨ 160.

Service interval display ⇨ 162.

Service intervals

Every 20,000 miles (30,000 km) or annually, whichever occurs first.

Confirmation

Service is confirmed in the boxes provided for such purposes in the Service and Warranty Booklet. The workshop confirms the date and mileage of service through a stamp and signature.

Make sure that the Service and Warranty Booklet has been correctly filled in as proof of uninterrupted service is essential to the granting of warranty or goodwill claims and is a benefit when selling the vehicle.

Service plan

Service work	after year ¹⁾	1	2	3	4	5
	miles (x 1000) ¹⁾	20	40	55	75	100
	km (x 1000) ¹⁾	30	60	90	120	150
Visually inspect control, lighting and signal devices as well as airbags; check steering column lock and starter switch		x	x	x	x	x
Remote control: replace batteries (don't forget the spare key)		every 2 years				
Check and correct windscreen wiper, windscreen wash system and headlight wash system		x	x	x	x	x
Check and correct coolant level and frost protection (pale orange) ²⁾ Note freeze protection temperature in the Service and Warranty Booklet (confirmation box)		x	x	x	x	x
Check water hoses for leaks and check to make sure they are firmly seated		x	x	x	x	x
Check and correct brake fluid level ²⁾		x		x		x
Check battery clamps to make sure they are firmly seated and check the battery eye		x	x	x	x	x
Vehicle System Check with TECH 2		x	x	x	x	x
Replace pollen filter or active charcoal filter			x		x	
⊕ if the air is heavily polluted or there are high levels of airborne dust, sand or pollen, the air-conditioning system will produce an odour		Verbal arrangement between the customer and Vauxhall Authorised Repairer				
Replace the air filter element		every 4 years / 40,000 miles (60,000 km)				
Visually inspect the ribbed V-belt		every 2 years / 40,000 miles (60,000 km)				
⊕ Replace ribbed V-belt Z 13 DTJ, Y 13 DT, Z 17 DTH		every 10 years / 100,000 miles (150,000 km)				
⊕ Check valve clearance and adjust Z 17 DTH		every 10 years / 100,000 miles (150,000 km)				

1) Whichever occurs first.

2) If loss is great/leaks are present, carry out follow-up work with customer consent.

⊕ Additional work.

● Intervals are shorter under extreme operating conditions and when such is necessary due to conditions specific to the country.

158 Service and maintenance

Service work	after year ¹⁾	1	2	3	4	5
	miles (x 1000) ¹⁾	20	40	55	75	100
	km (x 1000) ¹⁾	30	60	90	120	150
⊕ Replace toothed belt and tension roller Z 17 DTH	every 10 years / 55,000 miles (90,000 km)					
Change engine oil and oil filter	x	x	x	x	x	
⊕● Drain water from diesel fuel filter (with high humidity and/or low fuel grade)	x	x	x	x	x	
Replace and drain water from fuel filter, Z 13 DTJ, Z 17 DTH	every 2 years / 40,000 miles (60,000 km)					
Check and adjust parking brake (wheels unladen); visually inspect wheel suspension and spring suspension front and back, brake pipes, brake pressure hoses, fuel pipes and exhaust system		x		x		
Check external bodywork/underbody corrosion protection; note damage in the Service and Warranty Booklet	x	x	x	x	x	
⊕● Visually inspect front and rear wheel brakes ²⁾ Annual service check when the annual mileage is more than 12,000 miles (20,000 km)		x		x		
Visually inspect engine, transmission (AT, MT), air conditioning compressor for leaks ²⁾	x	x	x	x	x	
⊕● Remove, clean and visually inspect brake drum	every 4 years / 40,000 miles (60,000 km)					

1) Whichever occurs first.

2) If loss is great/leaks are present, carry out follow-up work with customer consent.

⊕ Additional work.

● Intervals are reduced under extreme operating conditions or if required by national legislation.

Service work	after year ¹⁾	1	2	3	4	5
	miles (x 1000) ¹⁾	20	40	55	75	100
	km (x 1000) ¹⁾	30	60	90	120	150
Visually inspect steering bellows, track rods and axle drive		x	x	x	x	x
Check track-rod ends and suspension ball joints		x	x	x	x	x
⊕ Change brake and clutch fluid (Easytronic)		every 2 years				
Undo wheel mounting and tighten to 110 Nm torque						
During assembly, lightly lubricate wheel bolt tapers with grease or oil						
Check tyre condition; check and correct tyre pressures (including the spare wheel)			x		x	
With tyre inflation system, check the set to make sure that it is complete and not out of date. Replace sealant bottle every 4 years						
⊕ Annual service check when the annual mileage is more than 12,000 miles (20,000 km)		every 2 years				
Visually inspect the first-aid kit (present and stowed in the right place, intact and not out of date), lashing eyes and warning triangle		every 2 years				
Check and correct headlight aiming (including auxiliary headlights)			x		x	
⊕● Lubricate door hinges, door brakes, lock cylinders, strikers, bonnet closure and tailgate hinges.			x		x	
Road test, final inspection (check steering column lock, starter switch, instruments and control indicators, entire brake system, steering, air conditioning system, engine, body and chassis), reset service interval display using TECH 2		x	x	x	x	x

¹⁾ Whichever occurs first.

⊕ Additional work.

● Intervals are reduced under extreme operating conditions or if required by national legislation.

Additional service work

Additional work ⊕

Additional work is work which is not required for every service but can be carried out along with a regular service.

Time allowances for such work are not included within the scope of a regular service and must be accounted for separately. However, it is more cost effective to carry out this work as part of a planned service than to have it done separately.

Extreme operating conditions ●

Operating conditions are considered extreme when one or more of the following occur frequently:

- Cold starts,
- Stop-and-go,
- Caravan/trailer towing,
- Driving on inclines and/or in high altitudes,
- Poor road conditions,
- Sand and dust,
- Extreme temperature fluctuations.

Police vehicles, taxis and driving school vehicles are also classified as operating under extreme conditions.

Under extreme operating conditions, it may be necessary to have certain service work carried out more frequently than the planned service intervals.

We recommend obtaining technical advice for the service requirements of your vehicle based on the special conditions of use.

Recommended fluids and lubricants

Only use products which have been tested and approved. Damage caused by using non-approved operating materials is not covered by the warranty.

Warning

Fuels are dangerous and require appropriate care when handling. If swallowed, immediately call a doctor. Do not inhale fumes and avoid contact with the skin. Keep out of the reach of children. Fuels must not be allowed to contaminate wastewater, ground water or soils. Dispose of empty containers properly. Always keep in mind that fuels are hazardous to health.

Engine oil

Engine oil is identified by its grade and viscosity. When choosing which engine oil to use, grade is more important than viscosity.

The new engine oil GM-Dexos 2 is of the highest quality available at the moment. If it is unavailable, engine oils of other listed qualities have to be used.

Engine oil for Service schedule

GM-Dexos 2 = Petrol and Diesel engines

GM-LL-A-025 = Petrol engines

GM-LL-B-025 = Diesel engines

GM General Motors Europe

LL Long life

A or B Details of engine oil grade

025 Validity code

Topping up engine oil

Oil from different manufacturers and of different brands can be mixed providing they meet the specified engine oil criteria (grade and viscosity).

Not every engine oil available on the market satisfies the quality requirements, so always check whether the required specifications and classifications are written on the container.

If an engine oil of the required grade is not available, a maximum of 1 litre of ACEA A3/B4 or A3/B3 grade may be used (only once between each oil change). The viscosity should be of the correct rating.

Using category ACEA A1/B1 and A5/B5 engine oil is expressly forbidden because it can cause long-term damage to the engine under certain operating conditions.

Engine oil additives

The use of engine oil additives can cause damage and void the warranty.

Engine oil viscosity

Only use engine oils of viscosity 0W-30, 0W-40, 5W-30 or 5W-40.

The SAE viscosity classification defines the fluidity of the oil: the oil is more viscous when cold than when hot.

Multigrade oil is indicated by two numbers. The first number followed by a W gives the viscosity at low temperature and the second number gives the viscosity at high temperature.



Inspection system

In order to ensure economical and safe vehicle operation and to maintain the value of your vehicle, it is of vital importance that all maintenance work is carried out at the proper intervals as specified.

Fixed service interval

When service is due, **InSP** appears in the odometer display for approximately 10 seconds when the ignition is switched on. Have the next service performed by a workshop within one week or 300 miles (500 km), whichever occurs first.

The service interval display takes account of off-the-road periods during which the battery is disconnected.

Flexible service interval*

The length of the service intervals is based on several parameters stemming from usage. For this reason, various engine-specific data is continually gathered and is used to calculate the remaining distance until the next service.

If the remaining distance is less than 1000 miles (1500 km), **InSP** is displayed with a remaining distance of than 600 miles (1000 km) when the ignition is switched on and off. If less than 600 miles (1000 km) remain, **InSP** is displayed for several seconds. Have the next service performed by a workshop within one week or 300 miles (500 km), whichever occurs first.

Display of remaining distance:

1. Switch off ignition.
2. Briefly press the trip odometer reset button. The odometer reading is shown.
3. Press and hold the reset button for about 2 seconds. **InSP** and the remaining distance are displayed.

Further information on maintenance and the inspection system can be found in the Service and Warranty Booklet, which is located in the glove compartment.

Have maintenance work – and repair work on the body and the equipment – carried out professionally by a workshop. We recommend using your Vauxhall Authorised Repairer, who has excellent knowledge of Vauxhall vehicles and has the necessary special tools and up-to-date service instructions from Vauxhall. It is particularly advisable to use a Vauxhall Authorised Repairer during the warranty period in order to prevent invalidation of the warranty. Further information can be found in the Service and Warranty Booklet.

Separate anti-corrosion service

Carry out according to the intervals specified in the Service and Warranty Booklet.

Vauxhall genuine parts and accessories

We recommend that you use "Vauxhall genuine parts and accessories" and conversion parts approved expressly for your vehicle type. These parts have undergone special tests to establish their reliability, safety and specific suitability for Vauxhall vehicles. Despite continuous market monitoring, we cannot assess or guarantee these attributes for other products, even if they have been granted approval by the relevant authorities or in some other form.

"Vauxhall genuine parts and accessories" and conversion parts approved by Vauxhall can be obtained from your Vauxhall Authorised Repairer, who can provide comprehensive advice on permitted technical changes and ensure correct installation.

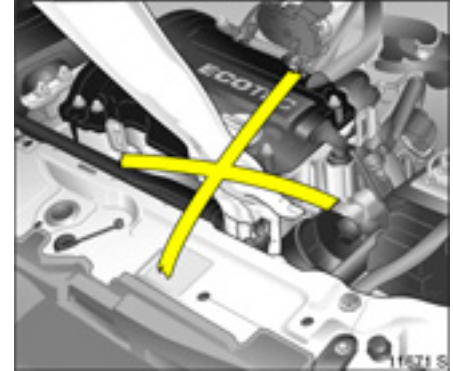


Performing work

To avoid injury from moving parts and cables conducting ignition voltage, only carry out engine compartment checks (e.g. checking brake fluid or engine oil level) when the ignition is switched off.

⚠ Warning

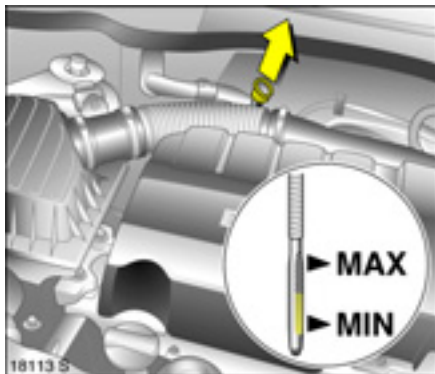
Only perform engine compartment checks when the ignition is off.
The cooling fan may start operating even if the ignition is off.



⚠ Warning

The ignition system * and Xenon headlights * use extremely high voltage. Do not touch.

To aid identification, the caps used when topping up engine oil, coolant and wash fluid as well as the oil dipstick are coloured yellow.

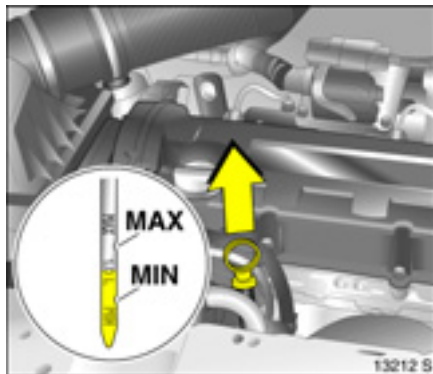


Engine oil

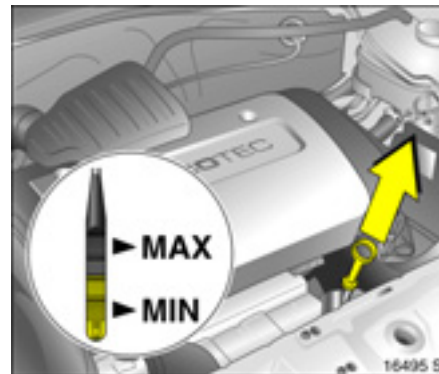
On vehicles with engine oil level check ✱, the engine oil level is monitored automatically ⇨ 67. We recommend that you check the engine oil level before starting a long journey.

Caution

Important: It is the owner's responsibility to maintain the correct level of an appropriate quality oil in the engine.



Check with the vehicle on a level surface. The engine must be at operating temperature and switched off for at least 5 minutes.



Pull out the dipstick, wipe it clean, insert it to the stop on the handle, pull out and read the engine oil level.

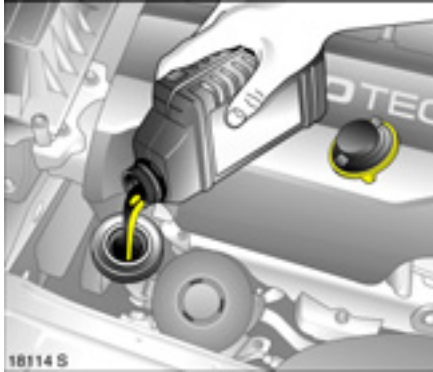
Push in the oil dipstick up to the stop on the handle and give it half a turn.

Different dipsticks are used depending on engine variant.

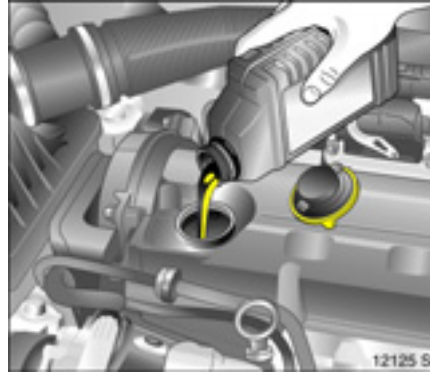
When the engine oil level has dropped to the **MIN** mark, top up engine oil.

Caution

Do not allow the engine oil to drop below the minimum level.



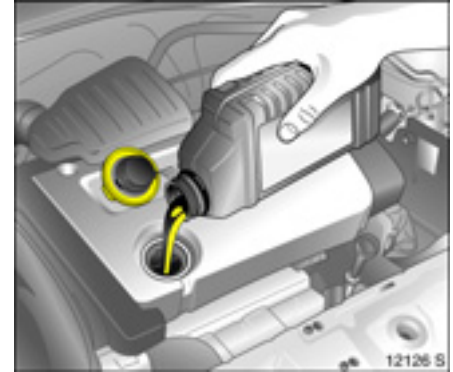
We recommend that you use the same engine oil as was used the last time it was topped up.



The engine oil level must not exceed the **MAX** mark on the dipstick.

Caution

If there is too much engine oil, the excess must be drained or suctioned out.





The amount must be between the **MIN** and **MAX** marks ↻ 182.

Fit the cap on straight and tighten it.

Diesel fuel filter

On the event of engine oil change, have fuel filter checked for possible water residue by a workshop.

Illumination of  indicates water in the fuel filter .

Have fuel filter checked at shorter intervals if the vehicle is subjected to extreme operating conditions such as high humidity (primarily in coastal areas), extremely high or low outside temperatures and substantially varying daytime and night-time temperatures.

Coolant

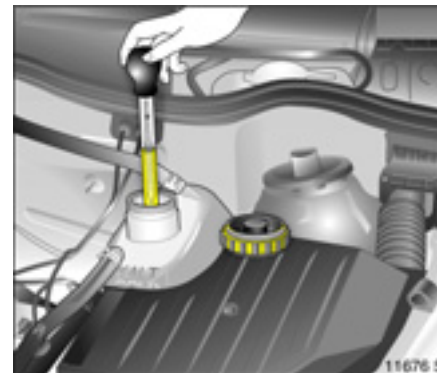
The coolant provides antifreeze protection down to approx. -28 °C.

Caution

Only use approved antifreeze. Coolant additives for additional corrosion protection and sealing small leaks can cause operation problems. No liability is accepted for damage caused by using coolant additives.

Warning

Antifreeze is a danger to health; it must therefore be kept in the original container and out of the reach of children.



Antifreeze and corrosion protection

Have the concentration of the radiator contents tested by a workshop before winter starts. The amount of antifreeze must provide protection down to approx. -28 °C. A lower antifreeze concentration will reduce the amount of protection from frost and corrosion. Add antifreeze if necessary.

If coolant loss is topped up with water, have concentration checked and add antifreeze if necessary.



Coolant level

In a closed cooling system, there is hardly any loss.

When the cooling system is cold, the level of coolant should lie above the **KALT/COLD** mark. Top up if the level is low.

⚠ Warning

Allow the engine to cool before opening the cap. Carefully open the cap, relieving the pressure slowly.

Top up with antifreeze. If no antifreeze is available, fill with clean tap water or distilled water. Have the antifreeze concentration checked.

Have the cause of coolant loss rectified by a workshop.

Caution

Too low a coolant level can cause engine damage.

Fit the cap on straight and tighten it.

Brakes

A screeching noise indicates that the brake lining is at its minimum thickness.

Continued driving is possible. Have the brake lining replaced as soon as possible.

Once new brake linings are fitted, do not brake unnecessarily hard for the first 125 miles (200 km).

Brake fluid

Warning

Brake fluid is poisonous and corrosive. Do not allow it to come into contact with eyes, skin, fabrics or painted surfaces.

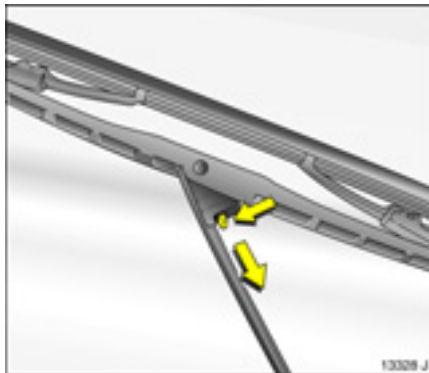
Changing brake fluid

Brake fluid is hygroscopic, i.e. it absorbs water. If the brakes become hot, such as when driving on long downhill stretches, vapour bubbles can form in the water, which can have an extremely adverse effect on braking power (depending on the proportion of water).

Therefore, keep to the specified change intervals.

Warning

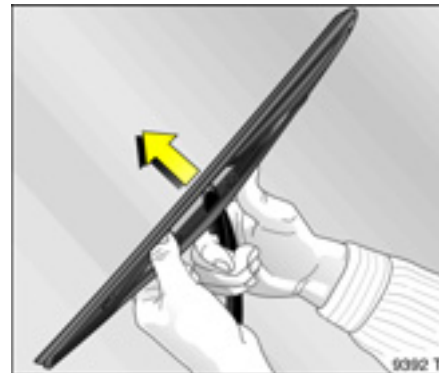
Have the brake fluid change performed by a workshop. Please comply with the legal environmental and health regulations – concerning the disposal of brake fluid.



Windscreen wiper replacement

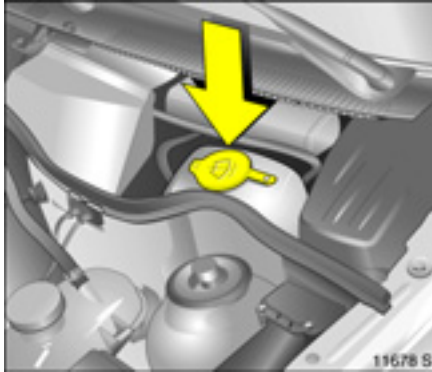
Wiper blades on the windscreen

Lift wiper arm. Move release lever and detach wiper blade.



Wiper blades ✖ on the rear window

Lift wiper arm. Disengage wiper blade as shown in Fig. 9392 T and remove.



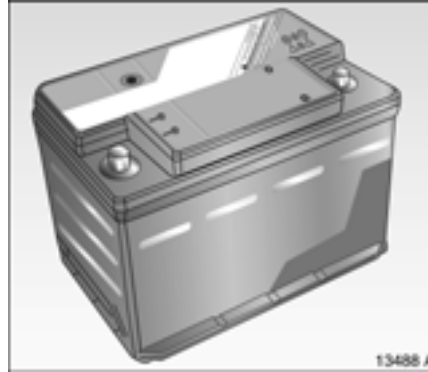
Windscreen wash system

Reservoir for windscreen wash and rear windscreen wash at passenger's side in engine compartment.

Fill with clean water mixed with cleaner and antifreeze.

Make sure there is sufficient antifreeze protection.

When closing the reservoir, press the lid firmly over the beaded edge all the way round.



Battery

The vehicle battery is maintenance-free.

Batteries do not belong in household waste. They must be disposed of at an appropriate recycling collection point.

The retrofitting of electrical or electronic accessories may subject the battery to additional loading and cause it to become discharged. Please seek advice concerning the technical options, such as installing a more powerful battery.

Parking up the vehicle for more than 4 weeks can lead to battery discharge.

Disconnect the negative terminal of the vehicle battery.

Ensure the ignition is switched off before connecting or disconnecting the vehicle battery.

Note

The Vauxhall alarm system * siren must be deactivated as follows: switch the ignition on then off, disconnect the vehicle's battery within 15 seconds.

Protecting electronic components

In order to prevent faults in electronic components in the electrical system, never connect or disconnect battery with engine running or ignition switched on. Never start engine with battery disconnected, e.g. when starting using jump leads.

To avoid damaging the vehicle, do not make any modifications to the electrical system, e.g. connecting additional consumers or tampering with electronic control units (chip tuning).

⚠ Warning

Electronic ignition systems generate very high voltages. Do not touch the ignition system; high voltage can be fatal.

Parking the vehicle up for a long period of time

If the vehicle is to be laid up for several months, the following work should be undertaken to prevent damage.

- Wash and wax the vehicle ⇨ 154.
- Have the wax in the engine compartment and underbody checked.
- Clean and preserve rubber seals.
- Change engine oil.
- Check antifreeze and corrosion protection ⇨ 166.
- Check the coolant level; top up antifreeze if necessary ⇨ 167.
- Drain the windscreen wash system.
- Increase tyre pressure to the value specified for full load ⇨ 115, ⇨ 179.

- Park the vehicle in dry and well-ventilated place. With manual transmission select first or reverse gear; with Easytronic ⚙ move the selector lever to the centre position before switching the ignition off. Use chocks or the like to prevent the vehicle from rolling.
- Do not apply handbrake.
- Disconnect the clamp from the negative terminal of the vehicle battery.

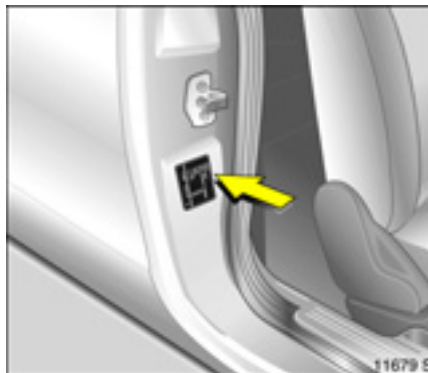
Putting the vehicle back into service

Ensure that ignition is switched off before connecting battery. Then perform the following work before recommissioning the vehicle:

- Connect the clamp to the negative terminal of the vehicle battery.
- Check tyre pressure ⇨ 115, ⇨ 179.
- Top up the windscreen wash system ⇨ 169.
- Check engine oil level ⇨ 164.
- Check coolant level ⇨ 167.
- Fit the number plate if necessary.

Technical data

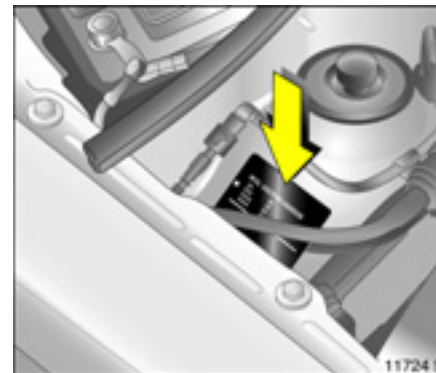
Vehicle data	171
Engine data	173
Performance (approx. mph / km/h) ...	174
Fuel consumption, CO ₂ -emissions	175
Fuel consumption (l/100 km), CO ₂ emissions (g/km) for tyre width of up to 185 mm	176
Weights, payload and roof load	177
Tyres	179
Capacities (approx. in litres)	182
Dimensions (mm)	183
Mounting dimensions of towing equipment with fixed coupling ball bar	184



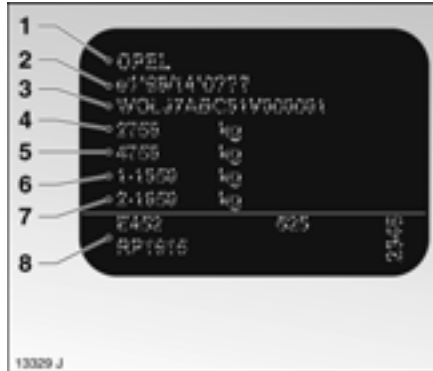
Vehicle data

The technical data is determined in accordance with European Community standards. We reserve the right to make modifications. Specifications in the vehicle documents always have priority over those given in this Owner's Manual.

The identification plate is affixed to the front right door frame.

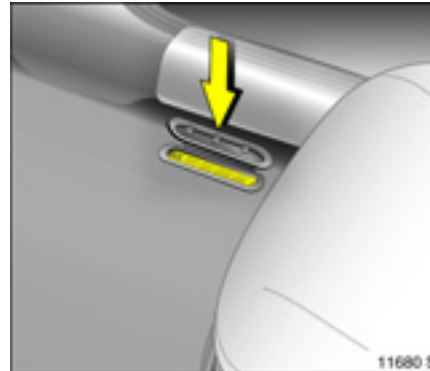


In other versions the type plate is attached to the right spring strut dome in the engine compartment.



Information on identification plate

- 1 Manufacturer
- 2 Type approval number
- 3 Vehicle identification number
- 4 Gross vehicle weight rating
- 5 Permissible gross train weight
- 6 Maximum permissible front axle load
- 7 Maximum permissible rear axle load
- 8 Vehicle-specific or country-specific data



Engine code and engine number. Marked on engine block at left side of engine in petrol engines, and beneath diesel injection pump at right side of engine in diesel engines.

The vehicle identification number is stamped on the identification plate and in the vehicle floor on the right-hand side under a cover between the driver's door and seat.

The vehicle identification number may be attached to the instrument panel.

Engine data

Sales designation Engine identifier code	1.4 TWINPORT Z 14 XEP	1.3 CDTI Y 13 DT	1.3 CDTI Z 13 DTJ	1.7 CDTI Z 17 DTH
Number of cylinders	4	4	4	4
Piston displacement (cm ³)	1364	1248	1248	1686
Brake horse power (kW) at rpm	66 5600	51 4000	55 4000	74 4400
Torque (Nm) at rpm	125 4000	170 1750 to 2500	170 1750 to 2500	240 2300
Fuel type ¹⁾	Petrol	Diesel	Diesel	Diesel
Octane requirement (RON) ²⁾ recommended	95 ³⁾	–	–	–
possible	98 ³⁾	–	–	–
possible	91 ³⁾⁴⁾	–	–	–
Cetane requirement (CN) ²⁾	–	49 ⁵⁾	49 ⁵⁾	49 ⁵⁾
Max. permissible engine speed, continuous operation approx. (rpm)	6200	5120 to 5280	5020 to 5180	5000 to 5200
Oil consumption (l/1000 km)	0.6	0.6	0.6	0.6

1) Standard high-quality fuels, unleaded DIN EN 228, diesel DIN EN 590.

2) Standard high-quality fuels: Value printed in bold: recommended fuel.

3) Knock control system automatically adjusts ignition timing according to type of fuel used (octane number).

4) Slight reduction in engine output and torque if 91 RON is used.

5) A lower value is possible with winter diesel fuels.

174 Technical data

Performance

(approx. mph / km/h)

Engine	Z 14 XEP	Y 13 DT	Z 13 DTJ	Z 17 DTH
Maximum speed ¹⁾				
5-speed manual transmission	102/164	93/150	94/152 ²⁾	106/170
Easytronic	–	–	94/152 ²⁾	–

¹⁾ The maximum speed is achievable with a maximum of half payload. Optional equipment may reduce the specified maximum speed of the vehicle.

²⁾ Specific version with electronic speed limitation at 78 mph (125 km/h).

Fuel consumption, CO₂-emissions

Directive 80/1268/EEC (last changed by 2004/3/EC) has applied for the measurement of fuel consumption since 1996.

The directive is oriented to actual driving practices: Urban driving is rated at approx. $\frac{1}{3}$ and off-road driving with approx. $\frac{2}{3}$ (urban and extra-urban consumption). Cold starts and acceleration phases are also taken into consideration. The specification of CO₂ emission is also a constituent of the directive.

The figures given must not be taken as a guarantee for the actual fuel consumption of a particular vehicle.

All values stem from the EU base model with standard equipment.

The calculation of fuel consumption as specified by directive 2004/3/EC takes account of the vehicle's kerbweight, ascertained in accordance with the said regulation. Optional extras may result in slightly higher fuel consumption and CO₂ emission levels than those quoted.

To convert l/100 km into mpg, divide 282 by the number of litres/100 km.

Saving Fuel, Protecting the Environment
 ↻ 104.

Fuel consumption (l/100 km), **CO₂ emissions** (g/km) for tyre width of up to 185 mm

Engine	Z 14 XEP	Y 13 DT	Z 13 DTJ	Z 17 DTH
Manual / Easytronic transmission				
urban	7.9/-	6.5/-	6.1/5.9	6.6/-
extra-urban	5.2/-	4.5/-	4.5/4.5	4.4/-
total	6.2/-	5.3/-	5.1/5.0	5.2/-
CO ₂	148/-	143/-	134/135	140/-

Fuel consumption (l/100 km), **CO₂ emissions** (g/km) for tyre width of up to 205 mm

Engine	Z 14 XEP	Y 13 DT	Z 13 DTJ	Z 17 DTH
Manual / Easytronic transmission				
urban	8.1/-	6.5/-	6.3/ 6.1	6.8/-
extra-urban	5.4/-	4.5/-	4.7/ 4.7	4.6/-
total	6.4/-	5.3/-	5.3/ 5.2	5.4/-
CO ₂	153/-	143/-	139/140	146/-

Weights, payload and roof load

The payload is the difference between the permitted gross vehicle weight (see identification plate ⇨ 171) and the EC kerbweight.

To calculate the kerbweight, enter the data for your vehicle below:

■ Kerbweight from Table 1 ⇨ 178	+..... kg
■ Weight of heavy accessories from Table 2 ⇨ 178	+..... kg
Total	=..... kg

is the EC kerbweight.

Optional equipment and accessories increase the kerbweight, which means that the payload will also change slightly.

Note the weights given in the vehicle documents and the identification plate.

The combined total of front and rear axle loads must not exceed the permissible gross vehicle weight. For example, if the front axle is bearing its maximum permissible load, the rear axle can only bear a load that is equal to the gross vehicle weight minus the front axle load.

The permissible axle loads must not be exceeded.

See the identification plate or vehicle documents for permissible axle loads.

Caravan/trailer towing ⇨ 119.

Roof load

The permissible roof load is 100 kg. The roof load consists of the weight of the roof rack plus the load carried.

Driving hints ⇨ 102. Roof rack ⇨ 119.

Weights (kg), Table 1, kerbweight¹⁾

Combo Crew van	Engine	Manual transmission	Easytronic
without/with air conditioning	Z 14 XEP	1190/1350	–
	Y 13 DT	1285/1420	–
	Z 13 DTJ	1285/1420	1285/1420
	Z 17 DTH	1320/1455	–

Weights (kg), Table 1, kerbweight

Combo	Engine	Manual transmission	Easytronic
without/with air conditioning	Z 14 XEP	1235/1265	–
	Y 13 DT	1325/1355	–
	Z 13 DTJ	1325/1355	1325/1355
	Z 17 DTH	1365/1395	–

Weights, Table 2, heavy accessories

Accessories	Towing equipment	Anti-lock brake system (ABS)	Sliding door (front passenger's side)	Rear vent windows	Load compartment grille	Split load compartment grille
Weight	18	7	23	9	8	10

¹⁾ According to EC Directive 70/156/EC, including assumed weights for driver (68 kg), loads (7 kg) and all fluids (tank 90% full).

Tyres

Not all tyres available on the market currently meet the structural requirements. We recommend that you consult a Vauxhall Authorised Repairer concerning suitable tyre makes.

These tyres have undergone special tests to establish their reliability, safety and specific suitability for Vauxhall vehicles.

Despite continuous market monitoring, we are unable to assess these attributes for other tyres, even if they have been granted approval by the relevant authorities or in some other form.

Further information ⇨ 114.

Winter tyres *

Tyre sizes 185/60 R 15, 185/65 R 15, 195/45 R 16 and 195/50 R 16 are not permitted for winter driving.

Exception: Tyres of size 185/60 R 15 may be used as winter tyres.

If winter tyres are in use, the spare wheel may still be fitted with a summer tyre. Use of the spare wheel may alter vehicle handling. Obtain a replacement for the faulty tyre as soon as possible, and have the wheel balanced and fitted to the vehicle.

Further information ⇨ 117.

Tyre chains *

Tyre chains may be used on the front wheels only.

We recommend the use of tyre chains with a fine mesh that add no more than 10 mm to the running surface and the insides of the tyres (including chain lock).

Tyre chains are not permitted on the spare wheel and tyre sizes 185/60 R 15, 185/65 R 15, 195/45 R 16 and 195/50 R 16.

Exception: Tyre chains on tyres of size 185/60 R 15 are permitted.

Tyre chains are generally permitted on tyres of size 185/55 R 15.

Further information ⇨ 118.

Wheels

Wheel bolt tightening torque: 110 Nm.

Spare wheel *

Depending on the version, the spare wheel is designed for use as a temporary spare wheel *: the handling of the vehicle may change if the spare wheel is used. Replace a defective tyre as soon as possible, balance the wheel and fit it to vehicle. Pay attention to notes on this page and on ⇨ 118, ⇨ 128.

On vehicles with alloy wheels * the spare wheel may have a steel rim.

The spare wheel can be fitted with a smaller tyre¹⁾ and a smaller rim than the wheels fitted on the vehicle.

Tyre pressure in psi / bar²⁾

The specified tyre pressure are valid for cold tyres. The increased tyre pressure resulting from extensive driving must not be reduced. The tyre pressure specified on the following pages apply to both summer and winter tyres.

The spare wheel must always be filled with the tyre pressure for a full load - see tables on following pages.

Temporary spare wheel tyre pressure * – see tables on the following pages.

Further information ⇨ 114 to ⇨ 118.

¹⁾ Country-specific version: The spare wheel is only permitted for use as a temporary spare.
²⁾ 1 bar corresponds to 100 kPa / 14.5 psi.

Tyre pressure in psi / bar

Combo Crew van

Engine	Tyres	Tyre pressure with load of up to 2 persons and 100 kg load		Tyre pressure for full load	
		Front	Rear	Front	Rear
Z 14 XEP	175/70 R 14 ¹⁾²⁾ , 175/65 R 14 ²⁾ , 185/55 R 15 ³⁾⁴⁾ , 185/60 R 15	35/2.4	35/2.4	35/2.4	51/3.5
Y 13 DT	175/70 R 14 ²⁾¹⁾ , 185/60 R 15, 185/55 R 15 ⁵⁾⁴⁾	35/2.4	35/2.4	35/2.4	51/3.5
Z 13 DTJ	175/70 R 14 ¹⁾²⁾ , 175/65 R 14 ²⁾ , 185/55 R 15 ³⁾⁴⁾ , 185/60 R 15	35/2.4	35/2.4	35/2.4	51/3.5
Z 17 DTH	185/60 R 15, 185/55 R 15 ⁴⁾	35/2.4	35/2.4	35/2.4	51/3.5
all	T 115/70 R 16 (Temporary spare wheel) ⁵⁾	61/4.2	61/4.2	61/4.2	61/4.2

1) Recommendation: Dunlop SP 10, Firestone F 580, Pirelli P 3000.

2) Not permitted in version with "increased payload".

3) Only permitted in version with "increased payload".

4) Recommended winter tyres: Conti Vanco Winter C90Q.

5) Notes on temporary spare wheel ⇨ 118, ⇨ 128.

Tyre pressure in psi/ bar

Combo	Engine	Tyres	Tyre pressure with load of up to 3 persons		Tyre pressure for full load	
			Front	Rear	Front	Rear
Z 14 XEP	175/70 R 14 ¹⁾ , 175/65 R 14, 185/55 R 15 ²⁾³⁾ , 185/60 R 15 ⁴⁾ , 185/65 R 15, 195/45 R 16, 195/50 R 16	35/2.4	35/2.4	35/2.4	51/3.5	
Y 13 DT	175/70 R 14 ¹⁾ , 185/55 R 15 ³⁾ , 185/60 R 15	35/2.4	35/2.4	35/2.4	35/3.5	
Z 13 DTJ	175/70 R 14 ¹⁾ , 175/65 R 14, 185/55 R 15 ²⁾³⁾ , 185/60 R 15 ⁴⁾ , 185/65 R 15	35/2.4	35/2.4	35/2.4	51/3.5	
Z 17 DTH	185/60 R 15, 185/55 R 15 ³⁾ , 185/65 R 15, 195/50 R 16	35/2.4	35/2.4	35/2.4	51/3.5	
all	T 1 15/70 R 16 (Temporary spare wheel) ⁵⁾	61/4.2	61/4.2	61/4.2	61/4.2	

1) Recommendation: Michelin Agilis 41, Continental VancoContact.
 2) Only permitted in version with "increased payload".
 3) Recommended: Conti C90Q.
 4) Recommended: Pirelli P 6000, Continental CPC, Goodyear NCT5, Dunlop SP 01.
 5) Notes on temporary spare wheel ↪ 1 18, ↪ 1 28.

182 Technical data

Capacities (approx. in litres)

Engine oil

Engine	Z 14 XEP	Y 13 DT	Z 13 DTJ	Z 17 DTH
Incl. filter	3.5	3.2	3.5	5.0
Between MIN and MAX	1.0	1.0	1.0	1.0

Fuel tank

Engine	Z 14 XEP	Y 13 DT	Z 13 DTJ	Z 17 DTH
Petrol/diesel, nominal capacity	52	52	52	52

Dimensions (mm)

	Combo Crew van	Combo
Overall length	4322	4322
Overall width	1684	1684
Width with two exterior mirrors	1892	1892
Height at kerbweight	1801	1801
Length of load compartment	1787 ¹⁾ /2700 ²⁾	1020 ³⁾ /1664 ⁴⁾ /2700 ²⁾
Width of load compartment; without/with 1/with 2 sliding doors min. width between wheel housings	1348/1399/1449 1107	-/1399/1449 1107
Max. height of load compartment	1190	1190
Height of load compartment sill	550	550
Opening width, tailgate min./max.	1030/1210	1030/1210
Opening height, tailgate min./max.	1120/1139	1120/1139
Opening width of sliding door	620	620
Opening height of sliding door	913	1023
Wheelbase	2716	2716
Turning circle diameter [m]	11.25	11.25

1) behind the front seats.

2) with front passenger seat folded down.

3) behind the rear seats.

4) with the backrests folded down.

Mounting dimensions of towing equipment with fixed coupling ball bar

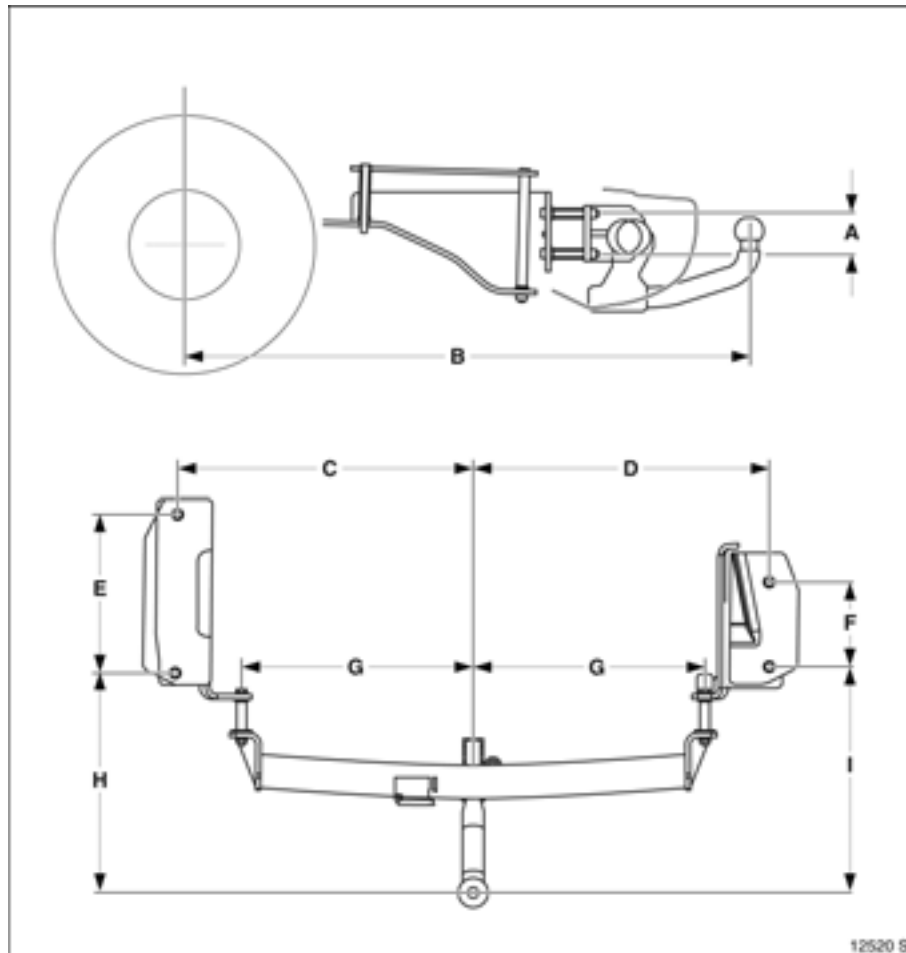
All dimensions relate to trailer towing equipment approved by Vauxhall.

Dimension mm

A	71
B	929
C	515
D	506.3
E	274.3
F	149
G	401.7
H	384
I	398

⚠ Warning

Only use towing equipment approved for your vehicle. We recommend entrusting retrofitting of towing equipment to your workshop.



Index

A

ABS (Anti-lock Braking System)	112
Accessories	126
Accessory socket	59
Air intake	95
Air recirculation system	93
Air vents	89
Airbags	54
Alarm	31
Alternator	66
Antenna	86, 154
Anti-corrosion service	162
Antifreeze	166
Antifreeze protection	166, 169
Anti-knock quality of fuel	
Octane number	173
Anti-lock brake system (ABS)	112
Anti-theft lock	
Alloy wheels	132
Anti-theft protection	15
Aquaplaning	117
Ashtray	60

B

Battery	103, 169
Connect	170
Interruption of power supply	35, 101
Before starting off	13
Belt tensioners	47
Bleeding, diesel fuel system	121
Bonnet	121

Boot, see Load compartment	26, 27
Brake system	111
Brakes	
ABS	112
Brake assist	114
Brake lights	150
Brake servo unit	102
Handbrake	113
Bulb replacement	144
Bulbs	144

C

Capacities	182
Engine oil	182
Fuel tank	182
Car Pass	18
Caravan/trailer towing	102, 119
Catalytic converter	108, 111, 122
Central locking system	21, 22
Centre console lighting	84
Cetane numbers	173
Changing the remote	
control battery	22
Changing tyre/wheel type	114
Changing wheels	130
Child restraint system	51
Child safety locks	25
Cigarette lighter	59
Clock	69
Clutch operation	101, 103
CO ₂ emissions	175, 176
Coin holder	62
Cold start	103
Contrast	77

Control indicators	10, 63
ABS (Anti-lock Braking System)	113
Airbag	57
Belt tensioners	48
Engine electronics	109
EPS (Electric Power Steering)	67
Exhaust	109
Immobiliser	19
Coolant	166
Coolant level	167
Coolant temperature display	70
Coolant thermometer	70
Correcting time	76
Coupling socket load	120
Courtesy light	84
Courtesy lights	
Bulb replacement	151, 152

D

Data	18, 171
Date	73
Daytime running lights	80
Decommissioning	170
Demisting and defrosting	
Windows	92
With the air conditioning system	94
Diesel fuel	173
Diesel fuel filter	166
Diesel fuel system	121
Diesel particle filter	35, 65, 103, 110
Dimensions	183
Dipped beam	7
Bulb replacement	144, 148
Display	72, 96

Display instruments 68
 Display mode 78
 Door locks 18, 155
 Driving abroad
 Headlights 85
 Driving hints 102

E

Easytronic 13
 Driving programmes 98
 fault 100
 Interruption of power supply 101
 Kickdown 99
 Selector lever 13
 Winter programme 99
 Economical driving 104
 Electric power steering 102
 Electric power steering (EPS) 67, 102
 Electric windows 34
 Electrical system 138, 169
 Electronic components 169
 Electronic immobiliser 19
 Ellipsoidal headlight system 148
 Engine code 173
 Engine control indicator 109
 Engine data 173
 Engine oil 161, 164
 Additives 161
 Topping up 161
 Viscosity 161
 Engine oil consumption 102, 164, 173
 Engine oil level 164
 Engine speed 103
 Engine wash 155

Environmental protection 154
 EPS (Electric power steering) 67, 102
 Exhaust control indicator 109
 Exhaust gases 109
 Exhaust system 102
 Exterior mirrors 5, 32, 33, 35

F

Fan 90
 Fault 35
 Filling station
 Capacities 182
 Engine oil level 164
 Fuel 106, 173
 Opening the bonnet 121
 Tyre pressure 179
 Vehicle data 171, 172
 Windscreen wash system 169
 First-aid kit 126
 Flat tyre 135
 Fog tail light 82
 Bulb replacement 150
 Foot brake 111, 114
 Front Airbag 54
 Front fog lights
 Bulb replacement 149
 Front passenger airbag 54
 Fuel 106, 173
 Fuel consumption 104, 106, 175, 176
 Fuel filter 166
 Fuel gauge 70
 Fuel level 70
 Fuel system, diesel 121
 Fuse remover 138

Fuses 138

G

Gears 13, 101
 Generator, see Alternator 66
 Glasses compartment 61
 Glove compartment 61
 Graphical information display 72
 Gross vehicle weight 177
 Gross vehicle weight rating 177

H

Halogen headlight system 144
 Handbrake 14, 15, 113
 Hazard warning lights 82
 Head restraints 38, 39
 Headlight flash 81
 Headlight range adjustment 83
 Headlight switch 6, 80
 Headlight wash system 11, 79, 169
 Headlights 6
 Changing bulbs 144, 148
 Daytime running lights 80
 Driving abroad 85
 Reversing lights 81
 Warning device 78
 Heated exterior mirrors 12, 33, 35
 Heated front seats 38
 Heated rear window 12, 35
 Heating 88, 91
 Seats 38
 with the air conditioning system 88

Height adjustment
 seat belts50
 Steering wheel 6
 High pressure jet cleaner 155
 Horn 11
 Hydraulic brake system 111

I

Identification plate171, 172
 Idling 101
 Ignition 14
 Ignition logic78
 Ignition system163, 169
 Immobiliser 19
 Information display72
 Infotainment system 72, 86
 Instrument display68
 Instrument illumination83
 Bulb replacement 152
 Instruments63, 68, 69
 Interior mirror6, 33
 Interruption of power supply
 Easytronic 101
 Electric windows35

J

Jack129, 132
 Jump leads 122

K

Kerbweight 178

Key

Extending 18
 Ignition lock 14
 Locking doors 18, 21, 22
 Remove 15
 Starting 14, 19
 Starting the engine 14
 Keys 2, 18

L

Language selection 76
 Lashing eyes 42
 Light switch 6
 Lighting 6, 80
 Driving abroad 85
 Load compartment 26
 Bulb replacement 151
 Cover 42
 Extension 40
 Lashing eyes 42
 Lighting 84
 Loading45, 119, 177
 loading 45
 Locking 26
 Load compartment cover 42
 Load compartment grille 44
 Loading 45
 Loading the vehicle 45, 119
 Locking from the inside20, 23
 Locking the doors2, 18, 20, 21, 22
 Locks 155
 Lubricants 164
 Luggage compartment,
 see Load compartment 27

M

Main beam 7, 81
 Bulb replacement 145
 Control indicator 65
 Maintenance
 Air conditioning system 95
 Antifreeze protection 166
 Brake fluid 168
 Brakes 167
 Catalytic converter 111
 Engine oil 164
 Fuel consumption 105
 Tyre pressure115
 Tyres 116
 Manual transmission,
 see Transmission 13
 Mirrors 6, 32, 33
 Misted windows 92, 94
 Mobile telephone 87
 Muffler, see Exhaust system 109

N

Number plate lights
 Bulb replacement 151

O

Octane numbers 173
 Odometer 68
 Oil 161
 Additives 161
 Topping up 161
 Viscosity 161
 Oil consumption 164, 173

Oil level	164
Oil pressure	64
Operating temperature	103
Outside temperature gauge	72
Overrun	103, 105

P

Paintwork damage	154
Parking	15
Parking lights	6
Bulb replacement	146
Parking the vehicle	15
Parts	163
Pedals	103
Performance	174
Petrol	173
Pollen filter	95
Power steering, see Electric power steering	67, 102
Preheater start switch	14
Preheating	65
Pushing, towing	122

R

Radio	86
Radio equipment (CB)	87
Radio reception	86
Rear doors	3, 27
Rear light cluster	80
Bulb replacement	150
Rear seat backrests	40
Rear window wash system	12, 79, 154, 169
Rear window wiper	12, 79

Refuelling	
Fuel filler cap	107
Fuel gauge	70
Tank flap	107
Relays	138
Remote control	21
Central locking system	21
Steering wheel	86
Replacement keys	18
Reversing lights	81
Bulb replacement	150
Roof load	45, 102, 105, 177
Roof rack	45
Roof racks	45, 105, 119
Running-in	102
Brakes	167

S

Safeguard against unauthorised use	14, 15, 18, 19
Safety accessories	126
Safety net	43
Saving energy	104
Seat adjustment	36
Seat belts	50, 155
Seat height adjustment	4, 37
Seat position	37
Seats	3, 36
heated	38
Self-diagnosis	49, 58, 113

Self-help	121
Central locking	24
Electric windows	34
Information display	73
Radio remote control	21
Service interval display	162
Service intervals	156
Additional work	160
Extreme operating conditions	160
Main service	156
Service work	162
Side airbags	56
Signal system	11
Sliding doors	25
Spare fuses	138
Spare keys	18
Spare wheel	127, 130, 179
Speed	104, 105
Fuel consumption	104, 105
Speedometer	68
Starter switch	14
Starting the engine	14, 19, 122
Self-help	122
Steam jet cleaner	155
Steering column lock	14, 15
Steering wheel adjustment	6
Steering wheel remote control	17, 86
Stowage compartments	45, 61, 62
Sun visors	62
System settings	75

T

Tachometer	68
------------------	----

Tail lights80
 Bulb replacement 150
 Tailgate2, 26
 Technical data 171
 Telephone, see Mobile telephone87
 Temperature regulation90
 Temporary spare wheel118, 128
 The first 600 miles (1000 km) 102
 Tightening torque134, 179
 Time73
 Tools 129
 Towing 124
 Towing equipment119, 184
 Towing eye124, 126
 Transmission, Easytronic 13
 Driving programmes98
 Fault 100
 Interruption of power supply 101
 Kickdown99
 Selector lever 13
 Winter programme99
 Transmission, manual13, 101
 Tread depth 116
 Trip odometer69
 Triple information display72
 Turn signal lights7, 81
 Turn signals
 Bulb replacement 147, 149, 150
 Tyre chains118, 179
 Tyre condition 116
 Tyre pressure 115, 179, 180, 181
 Tyre repair kit 135

U

Units of measure 77
 Unleaded fuel 108, 173
 Unlocking the doors 2

V

Valve cap key 115
 Vauxhall alarm system 29
 Vauxhall genuine parts
 and accessories 163
 Vauxhall Service 156
 Vehicle care 154
 Vehicle decommissioning 170
 Vehicle identification number 172
 Vehicle keys, see Keys 18
 Vehicle recommissioning 170
 Vehicle tools 129
 Ventilation 88
 VIN, see Vehicle
 Identification Number 171

W

Warning buzzers 78
 Warning triangle 126
 Wash fluid reservoir,
 windscreen wash system 169
 Weights 178
 Wheel trim 117
 Wheels 114, 179
 Wheels, tyres 114
 Windows
 Demisting and defrosting92, 94

Windscreen wash system 11, 79, 169
 Antifreeze protection 169
 Wash fluid reservoir 169
 Windscreen wiper11, 78, 168
 Winter mode
 Starting-off aid 99
 Winter operation
 Battery 103
 Coolant, antifreeze 166
 Fuel consumption 105
 Fuel for diesel engines 106
 Heating 88
 Locks 155
 Tyre chains 118
 Window demisting and
 defrosting 92, 94
 Windscreen wash system,
 antifreeze protection 169
 Winter programme 99
 Winter tyres 117, 179