

Vivaro

Spends more time on the road 2010 Models Edition 1



The Wheels of Business – Helping you deliver.

Whatever your business, Vauxhall Commercial Vehicles can help you deliver. With five different models, we offer a massive choice of over 200 variants including vans, tippers and minibuses. We're also committed to keeping your business moving. Reliable, fuel efficient vehicles supported by a dedicated network of over 300 specialist retailers with all the expert support and back-up you need to minimise service downtime.

In 2008, our British production facilities at Ellesmere Port and Luton built over 96,000 commercial vehicles – that's more commercial vehicles than any other UK manufacturer. We've also won over 25 industry awards since 2001 – major awards, presented by the toughest judges in the business.

So that's Vauxhall Commercial Vehicles: huge range, great product and the expert support of a nationwide network of retailers. But don't just take our word for it...

Some of the vehicles shown in this brochure include options and accessories available at extra cost. And not all of the features described are available on every model. So please check the equipment and technical data section for further details. From time to time, we also offer alternative models such as Special Editions which are featured in separate literature or can be found on the Vauxhall website: www.vauxhall.co.uk/vans



Movano...

'We currently operate a fleet of 2400 GM models; within these, roughly 500 are Movanos – predominantly 2.5CDTi 16v (100PS) models. These vehicles are real workhorses'

Stewart Duff, Fleet Commercial Manager, Scottish Power



Vivaro...

'The Vivaro is big enough for what we ask of it, economical to run and gets the job done. I can't really put it any better than that!'

Paul Pogson, Managing Director, Catercover Service



Combo...

'The 1.3CDTi 16v common rail turbo diesel unit has acquitted itself well over time and our drivers seem to like its flexibility and its overall performance in day-to-day use.'

Paul Gatti, Head of Commercial Fleet, Royal Mail



Astravan...

'We particularly like the 1.3CDTi 16v engine – it's been a big success. It's good to drive... and low CO₂ emissions are a big consideration to us'

Tony Carrea, Fleet Manager, SDC

Corsavan...

'The vans are very well-equipped and competitive on key areas like running costs and maintenance'

Paul Harris, Fleet Manager, Cams Fire and Security



Access 8

Loadspace 10

Payloads 12

Power and efficiency 14

Interior, safety and security 16

Sportive 18

Doublecab 20

Sportive Doublecab 22

Conversions 24

Options and accessories 26

Colours and trims 28

Customer advocates 30

Equipment and technical data 32

VIVARO
SPENDS MORE
TIME ON THE
ROAD



Short wheelbase Sportive model illustrated features optional front fog lights as part of the Vision Pack.

**COMMERCIAL
MOTOR SAID...**

'... a good-looking van, Vivaro offers safe predictable handling, ample feedback through the steering wheel, good performance, and a well-mannered gearbox allows you to get the best of whichever engine you choose.'

JANUARY 2009





With its stylish design, proven technology and innovative line-up of Euro 4 compliant diesel engines, the Luton-built contender continues to set the standard by which all medium vans are judged.

Visually, Vivaro makes a big impression, with instantly recognisable front and rear styling that incorporates bold, teardrop-style headlights, prominent Vauxhall 'V' grille and smart clear lens tail lights. These features and more also figure on our distinctive Sportive models.

Vivaro is equally attractive inside, with stylish yet durable upholstery and fabrics complemented by alloy-effect detailing and chrome-effect instrument edging on Sportive versions. The comprehensive audio and communications package includes the option of satellite navigation with colour display.

While under the bonnet, the advanced, Euro 4 compliant common rail turbo diesel engine line-up comprises cost-efficient 90PS and 115PS 2.0CDTI 16v units and a powerful 146PS 2.5 litre CDTI 16v engine.

Add 18,000 mile/one-year service intervals, superb cab ergonomics and a choice of standard or high roof models in both short and long wheelbase versions – plus versatile 9-seat Combi, short and long wheelbase derivatives – and you have a range that's set to continue winning awards for many years to come.



Payload
1016-1271kg



18,000 mile/1-year
service intervals



3-year/100,000 mile
warranty



Loadspace volume
5.0-8.4m³
(VDA method)



Max. load
floor length



Max. load
floor length



Long wheelbase standard roof model illustrated features optional offside sliding side-access door and glazed rear doors with heated rear windows and wash/wipe facility.

ACCESS

- | One-metre wide nearside sliding side-access door
- | Offside sliding side-access door (optional)
- | Unglazed rear doors
- | Glazed rear doors (optional)
- | Rear doors open to 165° and lock in place at 90°
- | 250° opening glazed or unglazed rear doors (optional on LWB standard roof models only)
- | Low loading height
- | Tailgate with heated window and wash/wipe facility (optional on standard roof models only)
- | Illuminated load area
- | Rear parking distance sensors (optional)



Vivaro looks terrific. But looks are only half the story. Making multiple drops and deliveries in tight spaces can make access a problem and this is where Vivaro excels.

Vivaro's twin rear doors can be swung clear to 165° and locked in place at 90° to provide safe and convenient loading, even where space is restricted. And for unhindered access when reversing back to a doorway, long wheelbase standard roof models can also be specified with optional 250° opening rear doors – available with or without rear windows.

Optional rear parking distance sensors are available on all models. Standard roof models can also be specified with an optional high-lift tailgate featuring a heated rear window and a convenient wash/wipe facility.

Easy to load from the side, Vivaro comes with a one-metre wide nearside sliding side-access door as standard, with an additional offside sliding side-access door available as an extra-cost option. Both side doors can easily accommodate a standard Euro pallet and a flat load floor ensures easy forklift access.



▲ Side access is easy through the nearside one-metre wide sliding side-access door. Vehicle illustrated features optional offside sliding side-access door.

▶ Tailgate with heated window and wash/wipe facility is optional on standard roof models only.





Long wheelbase high roof model illustrated features optional full-height steel bulkhead. A resin-coated wooden load floor covering can also be specified as an option at extra cost if required.

WHAT VAN? SAID...

'The 5.0cu.m load area is well thought out and pretty 'square'.'

SWB standard roof (VDA method)

LOADSPACED IMENSIONS*	mm	inches
Maximum rear door aperture heights	1320-1818	52.0-71.6
Rear door aperture width (at floor)	1390	54.7
Maximum load area heights	1387-1913	54.6-75.3
Maximum load area width	1663	65.5
Width between wheel arches	1268	49.9
Maximum load floor lengths	2415-2815	95.1-110.8
Loading heights (unladen)	542-549	21.3-21.6
Sliding side-access door aperture height	1285	50.6
Sliding side-access door aperture width	1000	39.4

LOADSPACE VOLUME	cu.m	cu.ft
Maximum loadspace volumes (VDA method)	5.0-8.4	177-297

**Please refer to pages 40-43 of the technical data for more detailed loadspace, weight and towing data.*



Short wheelbase standard roof model illustrated features optional offside sliding side-access door and full-height steel bulkhead.

LOADSPACE

Having a commercial vehicle with the right space and proportions for the loads you carry is essential. Loading and unloading becomes quicker and easier, so your time is used more productively. With its two wheelbase and two roof height permutations, Vivaro makes it easy for you to get the right van for the job. With a maximum load floor length of 2815mm, the Vivaro long wheelbase high roof model offers a substantial 8.4 cubic metres of loadspace volume and 526mm of extra height compared to the standard roof model. All models feature full-height unglazed rear doors, plus a full-height steel load restraint guard behind the driver's seat. Optional glazed rear doors can also be specified.



Loadspace volume
5.0-8.4m³
(VDA method)



Short wheelbase standard roof model illustrated features optional two-coat metallic paint.

PAYLOADS

Vivaro offers a choice of loadspace volumes. But sometimes, it's kilograms, not cubic metres that count, so you'll be pleased to know that Vivaro boasts a range of payloads from 1016kg to 1271kg. The rear suspension set-up uses progressive-rate springs and gas-pressure dampers, which adapt to the vehicle load, resulting in superb roadholding and a smooth, reassuring ride. All of Vivaro's engines and transmissions are up to the task of shifting even the heaviest of loads. And if you're regularly carrying a full cargo or towing, you can choose a more powerful, 2.5CDTI 16v (146PS) Euro 4 common rail turbo diesel – guaranteed to make light work of long distance haulage.



▶ The optional FlexxCargo anchorage system makes light work of securing loads.

◀ The standard nearside sliding side-access door gives easy access for heavy loads.

When on the move, keeping your load in place is easy, with well-sited load restraint lashing eyes. And the optional FlexxCargo anchorage system (illustrated above right) features six sliding sidewall lashing points which, when used along with the adjustable straps (available as a Vauxhall accessory), makes it even simpler to secure your loads.



PAYLOADS*

Model	kg
2700 SWB standard roof	1016-1100
2900 SWB standard roof	1252-1256
2900 LWB standard roof	1164-1271
2900 SWB high roof	1168-1173
2900 LWB high roof	1206-1213

**Please refer to pages 40-43 of the technical data section for more detailed payload information.*



Payload
1016-1271kg



With a choice of highly efficient, common rail turbo diesel engines and a high-capacity fuel tank, Vivaro is designed to spend more time on the road.

All three engines – the renowned 2.0CDTI with 90 or 115PS outputs and the range-topping 2.5CDTI 16v developing 146PS of power and 320Nm of torque – combine strong power output with high flexibility and impressive fuel economy. Matched with a smooth-shifting six-speed manual gearbox or our revolutionary six-speed Tecshift transmission and a 90-litre fuel tank, Vivaro is well up to the tasks faced by a modern commercial vehicle – through city streets or out on the open road.

Vivaro can also operate for up to 18,000 miles/one-year between services. It comes with a 'long-lasting' stainless steel exhaust system. Vauxhall Assistance is free for the first 12 months from registration, and the three-year warranty provides protection for up to 100,000 miles.

All this adds up to increased business efficiency – more 'earning time' while your Vivaro is on the road, and less 'downtime' when it's not.

WHAT VAN? SAID...

'As far as fuel economy was concerned we averaged 39mpg which is about the same as we got when we sampled the manual version...'

2.0CDTI (115PS) Tecshift

Available on 2.0CDTI 16v (115PS) and 2.5CDTI 16v engine models, Tecshift combines all the main features and flexibility of a regular automatic gearbox, with the performance and control of manual gear selection. It also offers variable settings to adjust for vehicle loading. The driver can switch between auto and 'clutchless' manual modes on the move. Manual shifts are made sequentially by simply pushing the gear lever forwards or backwards to change up or down, with automatic-style 'kickdown' also possible through two or more gears.



Vivaro is a past winner in the commercial vehicle category AA/ALD *Commercial FleetWorld* MPG Marathon. Coupled with a 90-litre fuel tank, it means plenty of miles between fuel stops.



6-speed manual gearbox



6-speed Tecshift transmission (optional on 2.0CDTI 16v (115PS) and 2.5CDTI 16v)





POWER AND EFFICIENCY

| 2.0CDTI 16v (90PS/240Nm) | 2.0CDTI 16v (115PS/290Nm) | 2.5CDTI 16v (146PS/320Nm) | Front-wheel drive | Six-speed manual gearbox
| Six-speed Tecshift transmission (available on 2.0CDTI 16v (115PS) and 2.5CDTI 16v) | Engine-driven power take-off provision (optional)
| 90-litre fuel tank | 18,000 miles/one-year service intervals | Three-year manufacturer's warranty consisting of a one-year/unlimited mileage warranty plus a second and third year warranty up to 100,000 miles | Six-year body panel anti-perforation warranty

INTERIOR

Vivaro's dynamic exterior is complemented by a practical, comfortable interior. With its light steering, gear change and clutch, you could forget you're driving a van at all. The reach-adjustable steering column and six-way adjustable driver's seat help to ensure the ideal driving position. A dark Grey Punch cloth – plus a hard-wearing vinyl option – add to the effect.

A high quality CD player with MP3 format/stereo radio is included as standard, along with ample storage facilities for drinks, bags, CDs and paperwork. For enhanced levels of car-like driver relaxation, air conditioning, electrically operated windows and electrically adjustable/heated door mirrors are standard on Sportive and optional on other models.

SAFETY

This is a van packed with wide-ranging driver, passenger and load safety features as standard, including a driver's airbag and an Anti-lock Braking System (ABS) with Emergency Brake Assist (EBA). The driver is also protected by a full-height steel load restraint guard, with other bulkheads also available.

It's no surprise then that Vivaro has a low 4E/5E insurance rating. Whichever model you choose, you can be assured that whatever's in the back – and whoever's in the front – is in safe, secure hands.

SECURITY

Vivaro is far more than just a comfortable, spacious and practical working environment. It's also a safe place to work, with high levels of security for both the van and its contents, especially with the optional selective door locking which enables the user to lock/unlock the cab doors and load area doors independently.



▲ Model illustrated features optional front passenger's twin airbag.

▶ Opposite, left: Driver's seat with lumbar adjustment and armrest (optional).
Opposite, right: Driver's seat and single front passenger's seat with lumbar adjustment and armrest (optional).



▶ Twin-lens foldable door mirrors with wide-angle section and fascia-mounted drinks holders.

▲ Vivaro can be specified with optional satellite navigation/CD player with MP3 format/stereo radio (CD 70). The unit also comes in conjunction with steering wheel mounted audio controls.



INTERIOR

- | Six-way adjustable driver's seat | Dual passenger bench seat | Driver's seat with lumbar adjustment and armrest (optional)
- | Driver's seat and single front passenger's seat with lumbar adjustment and armrest (optional) | Facia-mounted drinks holders | Air conditioning (optional)
- | CD player with MP3 format/stereo radio (CD 30) | Satellite navigation/CD player with MP3 format/stereo radio (CD 70) (optional)



SAFETY AND SECURITY

- | Driver's airbag | Passengers' twin airbag (optional) | ABS with Emergency Brake Assist (EBA)
- | Electronic Stability Programme-plus (ESP-plus) with traction control (optional) | Pyrotechnic body-lock seatbelt pretensioner system
- | Twin-lens foldable door mirrors with wide-angle section on driver's side | Remote control central deadlocking
- | Electronic engine deadlock immobiliser | Remote control ultrasonic security alarm system (optional)



*Short wheelbase standard roof model illustrated features
front fog lights optional at extra cost as part of the Vision Pack.*

SPORTIVE

- | Air conditioning
- | Electrically operated windows
- | Electrically adjustable/heated door mirrors
- | Remote control ultrasonic security alarm system
- | Choice of two Euro 4 common rail turbo diesel engines: 2.0CDTI 16v (115PS/290Nm) and 2.5CDTI 16v (146PS/320Nm)
- | Six-speed manual gearbox
- | Six-speed Tecshift transmission (optional)
- | Body-colour lower front, rear and rear quarter bumpers
- | Body-colour side-protection mouldings
- | Full-diameter flush wheel trims
- | Driver's seat with lumbar adjustment and armrest
- | Leather-covered steering wheel
- | Alloy-effect gear lever insert and door release
- | Instruments with chrome-effect edging



The Vivaro Sportive has always combined added driver comfort with sporty exterior style. Its unique specification includes a security alarm and a range of metallic or pearlescent paints at no extra cost. The latest models are no exception, with the lower front bumper, rear bumpers and side-protection mouldings all picked out in the body colour – and smart, full-diameter flush wheel trims (or optional alloys) adding to the effect.

But today's Sportive is not just about good looks. This stylish model is equally impressive inside, with air conditioning, a leather-covered steering wheel, alloy-effect trim and chrome-effect instrument edging plus a CD player with MP3 format/stereo radio. The windows are electrically operated and the door mirrors are electrically adjustable and heated.

On the move, Sportive gives you a choice of two highly efficient common rail turbo diesel engines – the highly capable 115PS 2.0CDTI 16v and the more powerful 146PS 2.5CDTI 16v, both notable for their about-town flexibility and effortless motorway performance.

▶ Instruments with chrome-effect edging.



▶ Alloy-effect detailing for gear lever.

▶ 16-inch, five-spoke alloy wheels are optional at extra cost.



▶ Sportive Doublecab offers practical and comfortable transport for five crew, plus driver, whilst retaining considerable loadspace (see page 22 for more details).



6-speed manual gearbox

Doublecab



Providing practical and comfortable crew transport, the Vivaro Doublecabs match six-seat capacity with great loadspace (up to 4.2 cubic metres) and high payloads (up to 1148kg). Vivaro Doublecab is available with a standard roof in short and long wheelbase versions.

All Doublecab models feature a contoured rear bench seat for three passengers – all with height-adjustable head restraints and lap and diagonal seatbelts. Two sliding side-access doors ensure easy passenger access, while the high-strength ABS plastic bulkhead on all versions has an integral window for increased visibility. Rear seat passengers benefit from excellent leg-room and seat backs that are raked for comfort.

◀ Additional loadspace under the rear bulkhead extends the load area length allowing practical storage for longer items like ladders.



6 seats



Loadspace volume
3.3-4.2m³
(SAE method)



Vivaro long wheelbase Doublecab illustrated features glazed rear doors 250° opening (optional), plus an accessory loading ladder and a full-length roof rack with integral loading roller.

DOUBLECAB

- | Choice of three Euro 4 common rail turbo diesel engines: 2.0CDTI 16v (90PS/240Nm), 2.0CDTI 16v (115PS/290Nm) and 2.5CDTI 16v (146PS/320Nm)
- | Three-passenger rear bench seat | Six inertia-reel lap and diagonal seatbelts | Full-height integral ABS plastic bulkhead with window
- | Nearside and offside sliding side-access doors with sliding window | Unglazed rear doors (90°/165° opening) | Glazed rear doors (250° opening) (optional)
- | Dual passengers' front bench seat | Sportive variants available | Tailgate with heated window and wash/wipe facility (optional)

Sportive Doublecab



Great for business – and equally at home when you need to transport the local five-a-side team to that crucial away match – Vivaro Sportive Doublecab models add a stylish new dimension to work and leisure. Combining all of the established Vivaro Doublecab virtues – highly usable loadspace, superb ease of access and full six-seater capacity – with unique styling accents and a host of added comfort features, Sportive Doublecab brings added visual appeal to the proven Doublecab formula. Easily adaptable to a wide range of business and recreational applications, Sportive Doublecab is available in a choice of short and long wheelbase models, with payloads up to 1111kg and a choice of 2.0CDTI 16v (115PS) or 2.5CDTI 16v (146PS) common rail turbo diesel engines.

◀ Generously proportioned rear doors (available glazed or unglazed) make light work of loading and unloading business equipment – or leisure kit.



Loadspace volume
3.3–4.2m³
(SAE method)

▶ With six inertia-reel lap and diagonal seatbelts fitted to every model, Sportive Doublecab carries work mates – and team members – in style.



6 seats





Vehicle illustrated features optional alloy wheels.

SPORTIVE DOUBLECAB

Vivaro Sportive Doublecab offers the following features over and above standard Vivaro Doublecab models:

- | Driver's seat with lumbar adjustment and armrest
- | Electrically operated front windows
- | Air conditioning
- | Leather-covered steering wheel
- | Alloy-effect gear lever insert and interior release for front doors
- | Matt chrome-effect instrument rings
- | Electrically adjustable/heated door mirrors
- | Remote control ultrasonic security alarm system
- | Body-colour side-protection mouldings, rear bumper and rear quarter bumpers
- | Part body-colour front bumper
- | Full-diameter flush wheel covers (or optional alloy wheels at extra cost)
- | Two-coat metallic or pearlescent paint



VAUXHALL CONVERSIONS

Core conversions: Dropsides | Passenger carriers – Minibus and Combi

Recognised conversions: Temperature controlled vehicles | Vehicle-mounted access platforms | Wheelchair-accessible vehicles

◀ Vivaro dropside features a totally flat load platform with lockable under floor storage compartments.

While the Vauxhall panel van range covers a wide spectrum of operator needs, some operators demand individual solutions. So Vauxhall Commercial Vehicles offer a variety of conversions for Vivaro models.

The Vivaro dropside, with its uninterrupted 5.6 sq.m of load area and lightweight, anodised aluminium dropsides and tailboard, also features several under floor storage compartments providing 920 litres of easily accessible, and secure, additional loadspace.

Then there's the stylish and versatile Vivaro Combi. Perfectly equipped for upmarket courtesy and business transport, Combi is available in SWB and LWB versions and features a fold and stow facility on the third-row of seats to easily and quickly transform the vehicle from a nine seater to a six seater with added luggage space.

For larger numbers, the Vivaro LWB 12-seat minibus is ideal, providing a practical and cost-effective means of transporting passengers safely and securely. Offering optimum peace of mind, the model features lap and diagonal inertia-reel seatbelts for all passengers and height-adjustable 'A' frame rear seat head restraints.

In addition to those highlighted above, other Vivaro conversions available include SWB and LWB wheelchair-accessible models, temperature controlled vehicles and a line-up of vehicle-mounted access platform models.



▲ The stylish and versatile LWB 9-seat Combi provides massive luggage space.

Separate leaflets are available for Vauxhall-approved and recognised conversions. Please ask your Vauxhall Commercial Vehicle retailer for a full list and further details.



▶ Vivaro access platform vans are designed for use without stabilisers.



▲ Vivaro wheelchair-accessible vehicles feature two sliding side-access doors and a manually folding rear-access ramp. SWB model illustrated.



OPTIONS AND ACCESSORIES

Vauxhall options and accessories are all about choice – selecting your new Vivaro then personalising it to suit the way you work. There's a choice of factory-fitted options and a huge range of retailer-fit accessories. You can also choose styling products from the auto design specialist Irmscher International. For further information please ask your Vauxhall Commercial Vehicle retailer for more details.



Long wheelbase standard roof 2900 model illustrated includes optional offside sliding side-access door and glazed rear doors. Model also features accessory roof rack (including loading roller), loading ladder, walkway and tow bar.

OPTION PACKS

Vision Pack

- > Rain-sensitive windscreen wipers
- > Automatic Lighting Control (ALC)
- > Front fog lights
- > Selective door locking
- > Electric Pack* (see below)

Electric Pack*

- > Electrically operated front windows
- > Electrically adjustable/heated door mirrors

Smoker Pack

- > Cigar lighter and ashtray

- ▼ Rear parking distance sensors are available on all Vivaro panel vans.



- ▼ Digital tachograph.



INDIVIDUAL OPTIONS INCLUDE:

- > Remote control security alarm*
- > Electric Pack*
- > Single passenger seat
- > Passenger airbag
- > FlexxCargo anchorage
- > Full steel bulkhead with/without window
- > Digital tachograph
- > Air conditioning*
- > Offside sliding door
- > Rear parking distance sensors
- > Tow bar with seven-pin electrics

*Standard on Sportive.

ACCESSORIES

Vauxhall accessories are the right choice for your Vivaro, allowing you to tailor your van to your individual needs; all fitted by trained Vauxhall professionals. The list below is just a small sample of the range available. For a full list, please refer to the Vauxhall Commercial Vehicle Accessories brochure.

Roof Carriers

- > Base carrier
- > Steel roof rack
- > Steel loading ladder
- > Steel walkway

Towing

- > Flange tow bar with 12N electrics
- > Detachable tow bar with 12N electrics
- > Jaw and pin coupling – for use with flange tow bar

Interior – Load Area

- > Cargo liner**
- > Anti-slip mat (915mm x 915mm)
- > Load-restraining floor net
- > Interior lining plywood panels

Interior – Cabin Area

- > Rubber floor mats
- > Seat covers
- > Underseat storage tray†

Exterior

- > Protective rear door mouldings
- > Protective wheel arch mouldings
- > Mudflaps
- > Door wind deflectors

**SWB with nearside sliding side-access door only.

Safety

- > Safety Pack (warning triangle, first aid kit and hi-visibility vest)
- > Fire extinguisher
- > Temporary tyre inflation kit

Security

- > MetaSystem alarm
- > Steering wheel security bar
- > Rear window grilles (pair)††
- > One-way visibility microline security window film (pair)††



- > Alloy wheels
- > Sports silencers

†Single passenger seat options only.

††Twin rear door models only.



- ◀ Mudflaps.

- ▶ Detachable tow bar with 12N electrics.



- ◀ Steering wheel security bar.

- ▶ Rear door window grilles.



- ◀ Safety Pack.

SOLID



Corn Yellow



Flame Red



Glacier White



Ink Blue

TWO-COAT METALLIC



Ocean Green



Sage



Star Silver

TWO-COAT PEARLESCENT



Adria



Cerise Red



Midnight Black



Panorama Blue



Winterwind

COLOURS AND TRIMS



	Vivaro	Vivaro Sportive
Exterior colours	Dark Grey Punch Cloth Trim*	Dark Grey Punch Cloth Trim

Solid

Corn Yellow	●	-
Flame Red	●	-
Glacier White	●	●
Ink Blue	●	-

Two-coat metallic

Ocean Green	○	-
Sage	○	●
Star Silver	○	●

Two-coat pearlescent

Adria	○	●
Cerise Red	○	-
Midnight Black	○	●
Panorama Blue	○	-
Winterwind	○	●

● = Available at no cost.

○ = Available at extra cost.

- = Not available on this model.

* = Vinyl seat trim is optional at no extra cost on base Vivaro models.

Due to the limitations of the printing process the colours reproduced may vary from the actual colour. As a result they should be used as a guide only.

All Vauxhall Commercial Vehicle retailers have a comprehensive showroom colour display, with actual exterior paint samples available for inspection.

Please note: Certain alternative colours are available for special order on Vivaro. Restrictions apply so please consult your Commercial Vehicle retailer for more details.

◀ Far left: Dark Grey Punch cloth.
Left: Vinyl.

Vivaro

Guaranteed to deliver.

Voted Best Medium Van in the *Van Fleet World* Honours 2009 – its SIXTH successive victory in the awards – Vivaro continues to set the standard by which all vans in this sector are judged. Only last year the magazine *VanUser* was prompted to remind readers “We’d forgotten just how good this van is!”

Offering a wide choice of loadspace and payload capacities, with two wheelbase options, Vivaro matches class-leading cab ergonomics with distinctive styling and exceptionally low running costs. No wonder it’s the medium van of choice for operators the length and breadth of the country...



Paul Pogson, Managing Director, CaterCover Services Ltd said...
‘The Vivaro is big enough for what we ask of it, economical to run and gets the job done. I can’t really put it any better than that!’



Graham Cocksedge, Informative Signs said... *‘The Vivaro cab is just so spacious and comfortable. So much so that I now use it as my only means of transport, for both business and personal.’*





Andrew Cook, Rail Structures Examiner, Amey PLC, said... “The reasons I drive Vivaro? Simple. It’s comfortable, the driving position and visibility are great and it’s surprisingly compact, given its interior dimensions. This makes it ideal for some of the limited access situations we encounter.”



Contents

Equipment

Safety	32
Facia, instruments and controls	
Seating	

Interior features	33
Mechanical	
Security	

Load area	34
Wheels and tyres	

Exterior features	35
Option packs	

Technical data

Power and torque curves	36
Engines	
Transmission ratios	

Vauxhall Assistance and warranties, transmissions, steering, suspension, brakes, fuel tank capacity and insurance groups	37
--	----

Audio, communication and navigation	38
-------------------------------------	----

Glossary of terms	39
-------------------	----

Dimensions and weights

Panel van: Exterior/interior dimensions, loadspace volumes and ground clearance	40
---	----

Panel van: Weights and towing data	41
------------------------------------	----

Doublecab: Exterior/interior dimensions and loadspace volumes	42
---	----

Doublecab: Weights and towing data	43
------------------------------------	----

Safety

Standard features • Driver's airbag • Anti-lock Braking System (ABS) with Electronic Brakeforce Distribution (EBD) • Emergency Brake Assist (EBA) – Increases applied brake force in emergency braking situations • Height-adjustable padded head restraints • Three inertia-reel lap and diagonal seatbelts (doublecab – six) • Height-adjustable outer front seatbelts • Pyrotechnic body-lock front seatbelt pretensioner system – Tightens the seatbelt during the early stages of a frontal impact • Front seatbelt force limiters – Reduces potential upper body injuries during a frontal impact • Anti-submarining ramps in front seats – Help prevent occupants sliding underneath the lap belt during a collision • Side-impact protection beams • Laminated windscreen

Additional features

	Panel van	Sportive	Doublecab	Sportive Doublecab
Front passengers' twin airbag	○ ¹	○	○	○
Electronic Stability Programme-plus (ESP-plus) with traction control ²	○ ³	○	○ ³	○

Facia, instruments and controls

Standard features • Facia-mounted gear lever • Steering column adjustable for reach • Trip odometer • Rev counter • Coolant temperature gauge • Fuel gauge with low fuel level warning light • Engine oil level indicator • Service-due indicator • Digital clock with automatic RDS time adjustment • Outside air temperature display with ice warning function • 12-volt electrical accessory socket • Illuminated glovebox • Facia-mounted drinks holders • Facia-mounted bag-carrying hook

Additional features

	Panel van	Sportive	Doublecab	Sportive Doublecab
Matt chrome-effect instrument rings		●		●
Leather-covered steering wheel		●		●
Digital tachograph ⁴ (must be specified at time of ordering)	○ ³		○ ³	

Seating

Standard features • Punch cloth seat trim • Driver's seat height adjuster • Driver's seat adjustable for reach and rake • Dual front passengers' bench seat

Additional features

	Panel van	Sportive	Doublecab	Sportive Doublecab
Vinyl seat trim ⁵	N/C			
Driver's seat with lumbar adjustment and armrest ⁵	○	●	○	●
Driver's seat and single front passenger's seat with lumbar adjustment and armrest ⁵	○	○	○	○
Three-passenger rear bench seat			●	●

Interior features

Standard features • Vinyl floor covering in cabin area • Twin sunvisors • Air blend heater with four-speed fan • Four adjustable face-level heating and ventilation outlets • Windscreen and front side-window demist vents • Air recirculation system • Overhead storage shelf (high roof only) • Fade down cabin area courtesy light • Door armrests • Front door pockets with bottle holder • Dipping rear-view mirror⁶

Additional features

	Panel van	Sportive	Doublecab	Sportive Doublecab
Air conditioning ⁷	○	●	○	●
Alloy-effect gear lever insert and interior release for front doors		●		●
Cigar lighter and front ashtray	□	□	□	□

Mechanical

Standard features • Six-speed manual gearbox • Power-assisted steering

Additional features

	Panel van	Sportive	Doublecab	Sportive Doublecab
Tecshift six-speed transmission with sequential manual gearshift and automatic mode (2.0CDTI 16v (115PS) and 2.5CDTI 16v only) ^{2,7}	○	○	○	○
Engine-driven power take-off provision (2.0CDTI 16v (115PS)/2.5CDTI 16v only)	○ ⁷		○ ⁷	
Speed limiter – choice of three: 56mph (90km/h), 62mph (100km/h) or 68mph (110km/h)	○	○	○	○
Tow bar with seven-pin electrics	○	○	○	○

Security

Standard features • Remote control central deadlocking (doors, tailgate – when specified, and fuel flap) with internal switch • Electronic theft protection for audio equipment • Electronic engine deadlock immobiliser • ‘Key left in ignition’ audible warning • Visible Vehicle Identification Number (VIN) • Steering column lock • Freewheeling door and steering lock cylinders

Additional features

	Panel van	Sportive	Doublecab	Sportive Doublecab
Remote control ultrasonic security alarm system	○	●	○	●
Selective door locking key	□	□	□	□



Driver's airbag.

- = Standard equipment.
- = Optional at extra cost.
- N/C = No-cost option.
- = Only available as part of an extra cost option pack – see page 35 for more details.

1 = Mandates Electric Pack (at extra cost) on high roof models.

2 = ESP-plus not available with Tecshift models.

3 = Only available in conjunction with optional Electric Pack.

4 = CD player/RDS stereo radio (CD 413) fitted as standard when the tachograph option is specified.

The digital tachograph option must be specified at time of ordering as it cannot be fitted retrospectively and requires calibration at an approved tachograph centre within 14 days of the vehicle's registration.
Please note: The legislation regarding the use of tachographs is complex and operators should seek independent advice or speak to the CV specialist within a Vauxhall Commercial Vehicle retailer to ensure compliance. Alternatively your local DVLA office will also be able to provide clarification of the relevant legislation.

5 = Vinyl seat trim is not available when either the driver's seat with lumbar adjustment and armrest or driver's and single front passenger's seat with lumbar adjustment and armrest options are specified.

6 = Dipping rear-view mirror standard when glazed rear doors/tailgate options are specified.

7 = Engine-driven power take-off option not available in conjunction with air conditioning or Tecshift.



Tailgate with heated window and wash/wipe facility (optional).



16-inch five-spoke recessed alloy wheels (optional).



16-inch five-spoke alloy wheels (optional).

Load area

Standard features • Nearside sliding side-access door • Illuminated load area • Load restraint lashing eyes
• Unglazed rear doors (90°/165° opening)

Additional features

	Panel van	Sportive	Doublecab	Sportive Doublecab
Full-height steel load restraint guard behind driver	●	●		
Full-height ABS plastic bulkhead with window			●	●
Full-height steel bulkhead without window ⁸	○	○		
Full-height steel bulkhead with window ⁹	○	○		
Resin-coated wooden load floor covering	○	○		
FlexxCargo anchorage	○	○	○	○
Delete standard nearside sliding side-access door ⁹	N/C			
Offside sliding side-access door	○	○		
Fixed window in nearside sliding side-access door ¹⁰	○	○		
Sliding window in nearside sliding side-access door ¹⁰	○	○		
Offside sliding side-access door with fixed windows to both nearside and offside doors ¹⁰	○	○		
Offside sliding side-access door with sliding windows to both nearside and offside doors ¹⁰	○	○	●	●
Glazed rear doors (90°/165° opening) ⁶	○			
Glazed rear doors with heated windows and wash/wipe facility (not with 250° opening glazed rear door option) ⁶	○	○	○	○
250° opening unglazed rear doors (LWB standard roof only)	○	○	○	○
250° opening glazed rear doors (LWB standard roof only) ⁶	○	○	○	○
Tailgate with heated window and wash/wipe facility (standard roof only) ^{6,8}	○	○	○	○

Wheels and tyres

Standard features • 16-inch steel wheels • 195/65 R 16 – 2700 2.0CDTI 16v (SWB standard roof models) • 205/65 R 16 – 2900 2.0CDTI 16v (SWB standard/high roof and LWB standard/high roof models) / 2900 2.5CDTI 16v (all high roof models) • 215/65 R 16 – 2700 2.5CDTI 16v (all standard roof models)

Additional features

	Panel van	Sportive	Doublecab	Sportive Doublecab
Wheel centre covers	●		●	
Full-diameter flush wheel covers		●		●
16-inch five-spoke recessed alloy wheels (steel spare) with 215/65 R 16 tyres (standard roof only)	○	○	○	○
16-inch five-spoke alloy wheels (steel spare) with 215/65 R 16 tyres (standard roof only)	○	○	○	○
Tyre inflation kit in lieu of spare wheel	N/C	N/C	N/C	N/C

Exterior features

Standard features • Tinted glass • Two-speed windscreen wipers with variable intermittent wipe and electric screenwash
 • Lights-on audible warning • Electric headlight beam levelling • Twin adjustable and foldable door mirrors (wide-angle on driver's side)
 • High-level tail lights • High-level brake light • Twin reversing lights • Rear fog light • Body side-protection mouldings
 • Side repeat indicators

Additional features

	Panel van	Sportive	Doublecab	Sportive Doublecab
Rear parking distance sensors	○	○	○	○
Solar Reflect® windscreen	○	○	○	○
Rain-sensitive windscreen wipers	□	□	□	□
Automatic Lighting Control (ALC)	□	□	□	□
Front fog lights	□	□	□	□
Electrically operated front windows	□	●	□	●
Electrically adjustable/heated door mirrors	□	●	□	●
Body-colour side-protection mouldings		●		●
Part body-colour front bumper		●		●
Body-colour rear bumper and rear quarter bumpers		●		●
Two-coat metallic or pearlescent paint	○	● ¹¹	○	● ¹¹
Special paint (restrictions apply – please consult your retailer for availability)	○		○	

Option packs

Features

	Panel van	Sportive	Doublecab	Sportive Doublecab
Electric Pack • Electrically operated front windows • Electrically adjustable/heated door mirrors	○	●	○	●
Vision Pack • Rain-sensitive windscreen wipers • Automatic Lighting Control (ALC) • Front fog lights • Selective door locking key • Electric Pack	○		○	
Vision Pack • Rain-sensitive windscreen wipers • Automatic Lighting Control (ALC) • Front fog lights • Selective door locking key		○		○
Smoker Pack • Cigar lighter • Front ashtray	○	○	○	○



Rear parking distance sensors (optional).

- = Standard equipment
- = Optional at extra cost
- N/C = No-cost option.
- = Only available as part of an extra cost option pack.

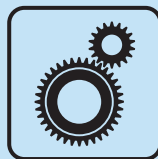
- 6 = Dipping rear-view mirror standard when glazed rear doors/tailgate options are specified.
- 8 = Full-height steel bulkhead without window not available when the glazed rear doors or tailgate options are specified.
- 9 = Full-height steel bulkhead with window not available when the delete standard nearside sliding side-access door option is specified.
- 10 = Fixed or sliding window options for sliding side-access door(s) also include glazed rear doors.
- 11 = Star Silver two-coat metallic paint is standard. Glacier White, Midnight Black, Winterwind, Sage and Adria are available as no-cost options.



**90PS/
115PS**
2.0CDTI 16v
common rail
diesel engine

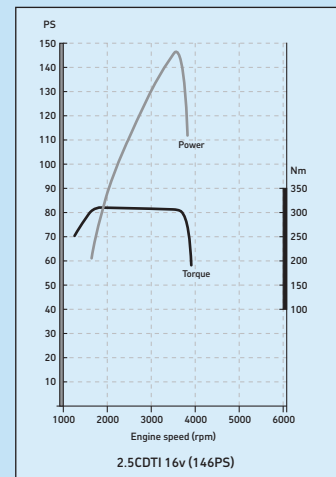
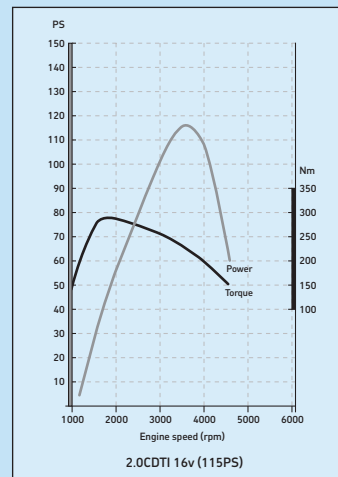
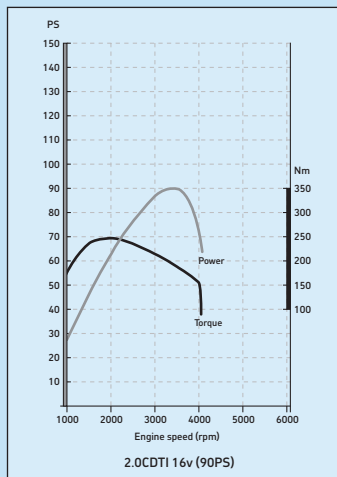


146PS
2.5CDTI 16v
common rail
diesel engine



Tecshift
Six-speed
transmission
optional on the
2.0CDTI 16v (115PS)
and 2.5CDTI 16v
engines

Power and torque curves



Engines

	2.0CDTI 16v (90PS)	2.0CDTI 16v (115PS)	2.5CDTI 16v (146PS)
Fuel type	Diesel		
Capacity	1995cc	1995cc	2464cc
Maximum power	90PS (66kW) @ 3500rpm	115PS (84kW) @ 3500rpm	146PS (107kW) @ 3500rpm
Maximum torque	240Nm (177 lb.ft.) @ 1500rpm	290Nm (214 lb.ft.) @ 1600rpm	320Nm (236 lb.ft.) @ 1500rpm
Configuration	4 cylinders, 4 valves per cylinder, double overhead camshafts		
Emission compliance	Euro 4		
Fuel/induction system	Fixed geometry turbocharger and intercooler. Common rail fuel injection.		Variable geometry turbocharger and intercooler. Common rail fuel injection.
Service interval	18,000 miles or one-year (whichever occurs sooner)		

Transmission ratios

	Gear ratios (mph/1000rpm)						Final drive ratio
	1	2	3	4	5	6	
2700 2.0CDTI 16v	4.18:1 (4.4)	2.24:1 (8.3)	1.39:1 (13.3)	0.98:1 (18.9)	0.76:1 (24.3)	0.60:1 (30.8)	4.19:1
2900 2.0CDTI 16v	4.18:1 (4.5)	2.24:1 (8.5)	1.39:1 (13.6)	0.98:1 (19.3)	0.76:1 (24.9)	0.60:1 (31.6)	4.19:1
2700/2900 2.5CDTI 16v	3.91:1 (4.9)	2.11:1 (9.1)	1.39:1 (13.9)	0.98:1 (19.7)	0.76:1 (25.4)	0.60:1 (32.2)	4.19:1

Vauxhall Assistance and warranties*

- All new Vivaros qualify for a three-year vehicle warranty consisting of a one-year/unlimited mileage manufacturer's warranty a second and third year manufacturer's warranty with a 100,000 miles limitation
- Vauxhall Assistance for 12 months from first registration
- Six years' body panel anti-perforation warranty

* = Warranty is only available on vehicles sourced from General Motors UK Limited. Terms and conditions apply - please see your Vauxhall retailer for details.

Transmissions

- Front-wheel drive
- Six-speed manual gearbox
- Six-speed Tecshift transmission - available at extra cost on 2.0CDTI 16v (115PS) and 2.5CDTI 16v models. Tecshift hydraulic transmission offers all the main features and flexibility of a regular automatic, plus the performance and control of a 'one-touch' manual gearbox. Drivers may switch between modes on the move using the gearshift selector

Steering

- Power-assisted rack and pinion system
- Turning circles (kerb-to-kerb/wall-to-wall):
SWB - 11.84m (38.8ft)/12.40m (40.7ft)
LWB - 13.17m (43.2ft)/13.73m (45.1ft)
- Turns lock-to-lock: 3.3

Suspension

Front: Independent wishbones with MacPherson spring struts, control arms and separate galvanised, double isolated, vibration reducing subframe.

Rear: Semi-independent with trailing links, progressive-rate mini-block coil springs with rubber bump-stops and telescopic, load-adaptable gas-pressure dampers.

Brakes

- Anti-lock Braking System (ABS) with Electronic Brakeforce Distribution (EBD)
- Emergency Brake Assist (EBA)
- Vacuum servo-assisted system
- Dual circuit hydraulic system
- Floor-mounted parking brake lever

Front ventilated disc brakes:

305mm diameter.

Rear disc brakes: 280mm diameter.

Electrics

Maintenance-free battery: 70Ah.

Alternator: 125A.

Body

- Six-year body panel anti-perforation warranty
- Galvanised body panels
- Anti stone-chip mastic coating on sills
- Anti-corrosion wax pumped into sills and other underbody cavities
- Flush-fitted windscreen and rear door glass (when specified)
- Detachable front towing eye
- Rear towing eye

Fuel tank capacity

90 litres (19.8 gallons).

Insurance groups

Range from 4E - 5E dependent on model specified.



Six-speed manual gearbox.



Six-speed Tecshift transmission (optional).



CD player with MP3 format/stereo radio/remote multi-function display (CD 30 MP3).



Satellite navigation/CD player with MP3 format/stereo radio (CD 70).



CD player/stereo radio fitted when optional digital tachograph is specified (CD 413).

Audio, communication and navigation

Features

CD player with MP3 format/stereo radio (CD 30 MP3)

- CD player with MP3 format
- AM/FM stereo radio with 24 station presets
- RDS with Traffic Programme
- Remote multi-function display
- 20 watts per channel output

Satellite navigation/CD player with MP3 format/stereo radio (CD 70)

- Satellite navigation system
- CD player with MP3 format
- AM/FM stereo radio with 40 station presets
- RDS with Traffic Programme
- Remote colour monitor
- 20 watts per channel output
- Steering wheel mounted audio controls

CD player/stereo radio (CD 413)

- CD player
- AM/FM/LW stereo radio with 30 station presets
- RDS with Traffic Programme
- 35 watts per channel output (fitted in conjunction with digital tachograph only)

Steering wheel mounted audio controls

Factory-fit telephone pre-wiring

Two speakers

Speed-dependent volume control

Roof-mounted flexible aerial

Panel van

Sportive

Doublecab

Sportive Doublecab

●

●

●

●

○

○

○

○

○

○

○¹²

○¹²

○¹²

○¹²

○

○

○

○

●

●

●

●

●

●

●

●

●

●

●

●

● = Standard equipment. ○ = Optional at extra cost. 12 = Standard when CD 70 unit is specified. Not available with CD 413.

Satellite navigation

The CD 70 satellite navigation system uses the international network of GPS (Global Positioning System) satellites, linked to a comprehensive CD-ROM mapping system, to determine your precise location and guide you to your chosen destination virtually anywhere in mainland Britain.

Vauxhall's CD-ROM-driven satellite navigation systems have been widely acclaimed for their ease of use and high level of information. The colour monitor has a split-screen facility to display half the screen as a map and half as easy-to-follow directional arrows.

The audible direction guidance prompt gives details of road numbers and motorway junction numbers, while you can also plan your route to avoid toll roads, if required.

The CD 70 also features Traffic Message Channel (TMC), a specific application of RDS used for broadcasting real-time traffic information, delivered to the driver either visually or verbally. TMC can also offer dynamic route guidance – alerting the driver to a problem on the planned route and calculating an alternative route to avoid the incident.

Standard features

- Automatic re-routing on request
- CD-ROMs available for all major European countries
- Exact location of vehicle using the GPS (Global Positioning System) and speed sensor
- Choice of four different route types
- Store up to 100 personal destinations
- Last 10 destinations stored automatically

Telephone pre-wiring

Telephone pre-wiring is available as a factory-fitted option at extra cost. Pre-wiring when fitted in conjunction with the Vauxhall accessory hands-free phone installation kit allows drivers to listen to incoming calls hands-free via the audio speakers. Telephone pre-wiring is fitted in the factory to ensure full compatibility with the original wiring, eliminating the problems often associated with aftermarket systems. It comprises a microphone and modified roof aerial together with an integrated harness complete with power and aerial connections for the phone. It is compatible with both the GSM 900 and 1800 frequencies.

Glossary of terms

Plated weight

The maximum weight to which a vehicle or an axle may be loaded, determined either by the design of the components or by legislation. All commercial vehicles must carry a manufacturer's 'plate' showing the vehicle and axle gross 'plated weights'. It is an offence to drive a vehicle in a condition where any of these weights are exceeded.

Kerbweight

The weight of the complete vehicle in standard form, excluding payload and driver but including coolant, oil, 90% full fuel tank and spare wheel where appropriate. Kerbweights quoted in Vauxhall brochures are subject to manufacturing tolerances and to the fitment of optional equipment and accessories. Where load capacity is critical the actual kerbweight should be obtained by weighing the vehicle on a calibrated public weighbridge.

Gross Vehicle Weight (GVW)

The total permissible weight of a vehicle including payload and passengers, as shown on the manufacturer's plate.

Gross Combination Weight (GCW)

The maximum permissible weight of a vehicle, including payload and passengers, combined with the total weight of any trailer it is towing. The maximum GCW weight limit is quoted on the vehicle plate and must not be exceeded.

Payload

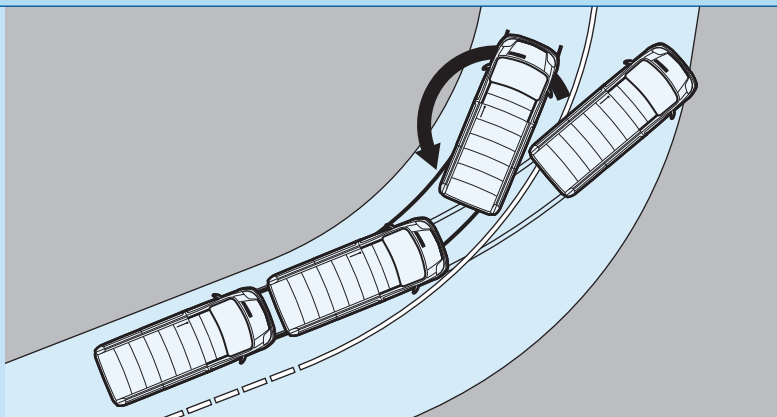
The total permissible weight that can be carried without exceeding the vehicle's plated weight. This can be obtained by deducting the kerbweight from the plated Gross Vehicle Weight (GVW).

Please note: the payload figure does not allow for the weight of the driver or any passengers which should therefore be deducted from the figures shown and are also subject to correct weight distribution.

Maximum towing weight

The maximum weight of any trailer and its load which may be towed within the limit of the vehicle's plated Gross Combination Weight (GCW). It is based on the ability of the vehicle – at full GCW – to restart on a 12% gradient, which is approximately 1 in 8.3, at sea level. At altitudes above 1500 metres, the engine output may drop with a corresponding reduction in towing capability. It is the operator's responsibility to ensure that the trailer noseweight does not cause the rear axle plated weight of the towing vehicle to be exceeded.

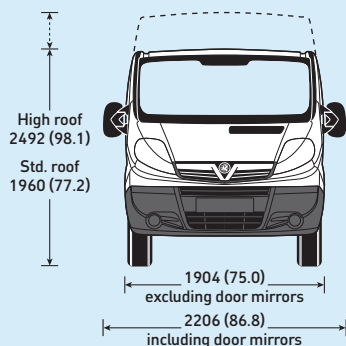
Always fit Vauxhall towing attachments and accessories available from your Vauxhall Commercial Vehicle retailer. They are designed specifically for Vauxhall models and carry a 12-month warranty.



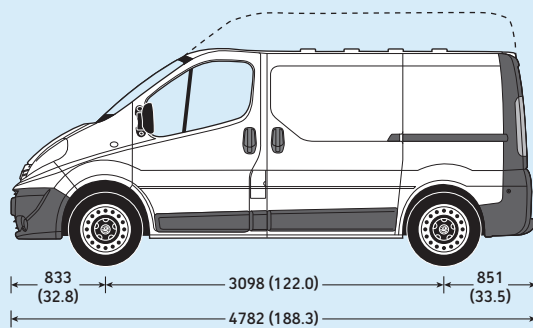
Electronic Stability Programme-plus (ESP-plus)

Vivaro's optional ESP-plus system goes one step further than the system usually found on Vauxhall's passenger cars. In understeer situations, the system automatically applies corrective braking to the appropriate rear wheel to correct the tendency; in oversteer situations, it automatically applies the brake to the appropriate front wheel. Because a commercial vehicle is also faced with significant weight and load issues which can influence this tendency to understeer or oversteer by affecting the centre of gravity, Vivaro's ESP system also incorporates a load sensor that adjusts the intensity of the braking effort to suit the demands of the payload. The system is available on all Vivaro models not fitted with the Tecshift transmission.

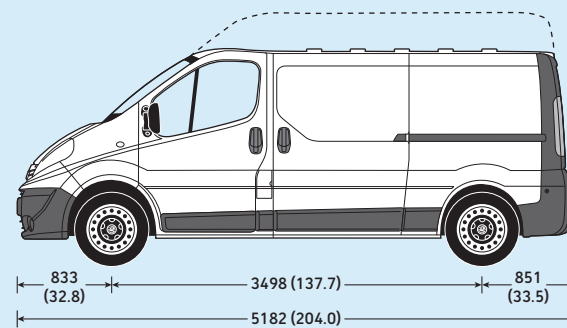
Panel van



SWB

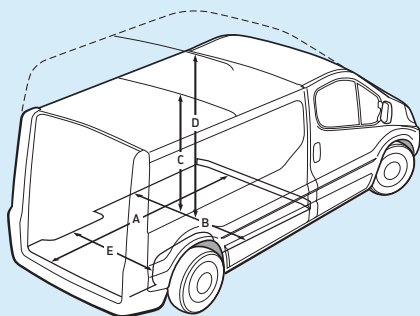


LWB



Measurements are shown in millimetres (inches). All heights are shown unladen.

Panel van



Interior dimensions mm (inches)

	SWB	LWB
Loadspace		
A Maximum length	2415 (95.1)	2815 (110.8)
B Maximum width	1663 (65.5)	1663 (65.5)
C Maximum height – standard roof	1387 (54.6)	1387 (54.6)
D Maximum height – high roof	1913 (75.3)	1913 (75.3)
E Width between wheel arches	1268 (49.9)	1268 (49.9)
Side door(s)		
Aperture height	1285 (50.6)	1285 (50.6)
Aperture width	1000 (39.4)	1000 (39.4)
Rear doors		
Aperture height – standard roof	1320 (52.0)	1320 (52.0)
Aperture height – high roof	1818 (71.6)	1818 (71.6)
Aperture width (at floor)	1390 (54.7)	1390 (54.7)
Loading height – standard roof	549 (21.6)	542 (21.3)
Loading height – high roof	549 (21.6)	547 (21.5)

Loadspace volumes cu.m (cu.ft.)

SAE method	SWB	LWB
Standard roof	5.3 (187)	6.2 (219)
High roof	7.4 (261)	8.7 (307)
VDA method		
Standard roof	5.0 (177)	5.9 (208)
High roof	7.1 (251)	8.4 (297)

Ground clearance mm (inches)

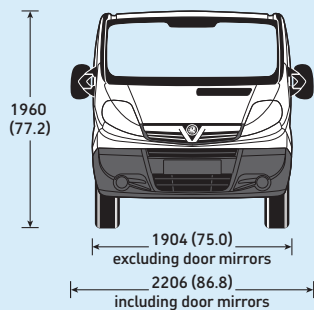
SWB	Laden	Unladen
2700 std. roof	162 (6.4)	185 (7.3)
2900 std. roof	164 (6.5)	192 (7.5)
2900 high roof	159 (6.3)	193 (7.6)
LWB		
2900 std. roof	158 (6.2)	188 (7.4)
2900 high roof	149 (5.9)	187 (7.4)

Weights and towing data

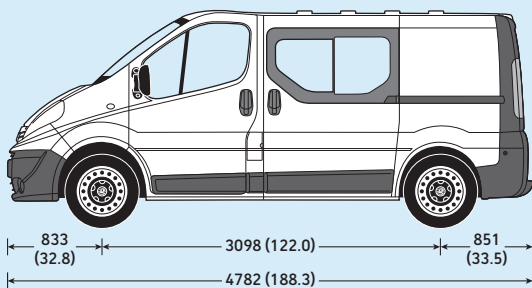
SWB panel van models	Transmission	UK plated weights and kerbweights kg						Payload kg	Plated Gross Combination Weights (GCW) kg
		Front axle		Rear axle		GVW	Total Kerb		
		Plated	Kerb	Plated	Kerb				
2700 2.0CDTI 16v (90PS/115PS) std. roof	manual	1450	1095	1550	575	2770	1670	1100	4770
2700 2.0CDTI 16v (115PS) std. roof	Tecshift	1450	1107	1550	575	2735	1682	1053	4735
2700 2.5CDTI 16v (146PS) std. roof	manual	1560	1151	1650	577	2820	1728	1092	4820
2700 2.5CDTI 16v (146PS) std. roof	Tecshift	1580	1163	1650	578	2830	1741	1089	4830
2700 2.0CDTI 16v (115PS) Sportive std. roof	manual	1450	1121	1550	586	2770	1707	1063	4770
2700 2.0CDTI 16v (115PS) Sportive std. roof	Tecshift	1450	1133	1550	586	2735	1719	1016	4735
2700 2.5CDTI 16v (146PS) Sportive std. roof	manual	1560	1177	1650	588	2820	1765	1055	4820
2700 2.5CDTI 16v (146PS) Sportive std. roof	Tecshift	1560	1189	1650	589	2830	1778	1052	4830
2900 2.0CDTI 16v (90PS/115PS) std. roof	manual	1580	1101	1650	580	2935	1681	1254	4935
2900 2.0CDTI 16v (115PS) std. roof	Tecshift	1580	1113	1650	580	2945	1693	1252	4945
2900 2.5CDTI 16v (146PS) std. roof	manual	1580	1152	1650	577	2985	1729	1256	4985
2900 2.5CDTI 16v (146PS) std. roof	Tecshift	1580	1164	1650	578	2995	1742	1253	4995
2900 2.0CDTI 16v (90PS/115PS) high roof	manual	1580	1098	1650	654	2920	1752	1168	4920
2900 2.0CDTI 16v (115PS) high roof	Tecshift	1580	1110	1650	655	2935	1765	1170	4935
2900 2.5CDTI 16v (146PS) high roof	manual	1580	1149	1650	653	2975	1802	1173	4975
2900 2.5CDTI 16v (146PS) high roof	Tecshift	1580	1161	1650	653	2985	1814	1171	4985
LWB panel van models									
2900 2.0CDTI 16v (90PS/115PS) std. roof	manual	1580	1135	1650	582	2960	1717	1243	4960
2900 2.0CDTI 16v (115PS) std. roof	Tecshift	1580	1147	1650	582	2930	1729	1201	4930
2900 2.5CDTI 16v (146PS) std. roof	manual	1620	1185	1650	579	3035	1764	1271	5035
2900 2.5CDTI 16v (146PS) std. roof	Tecshift	1620	1197	1650	580	3005	1777	1228	5005
2900 2.0CDTI 16v (115PS) Sportive std. roof	manual	1580	1161	1650	593	2960	1754	1206	4960
2900 2.0CDTI 16v (115PS) Sportive std. roof	Tecshift	1580	1173	1650	593	2930	1766	1164	4930
2900 2.5CDTI 16v (146PS) Sportive std. roof	manual	1620	1211	1650	590	3035	1801	1234	5035
2900 2.5CDTI 16v (146PS) Sportive std. roof	Tecshift	1620	1223	1650	590	3005	1813	1192	5005
2900 2.0CDTI 16v (90PS/115PS) high roof	manual	1620	1137	1650	665	3010	1802	1208	5010
2900 2.0CDTI 16v (115PS) high roof	Tecshift	1620	1149	1650	665	3025	1814	1211	5025
2900 2.5CDTI 16v (146PS) high roof	manual	1620	1188	1650	664	3065	1852	1213	5065
2900 2.5CDTI 16v (146PS) high roof	Tecshift	1620	1200	1650	664	3070	1864	1206	5070

Note: Kerbweights for standard vehicles include coolant, oil, 90% full fuel tank and spare wheel. They will vary according to the vehicle specification (including options and accessories) with a corresponding variation in payload. Payload figures do not allow for the weight of the driver, or any passengers, which should therefore be deducted from the figures shown and are also subject to correct weight distribution. Gross plated weights (including axle weights) quoted on the vehicle plate must never be exceeded. Roof load maximum 200kg (includes weight of roof carrier) when Vauxhall approved carrier system used. Towing weights should not exceed 750kg (unbraked trailer) or 2000kg (braked trailer).

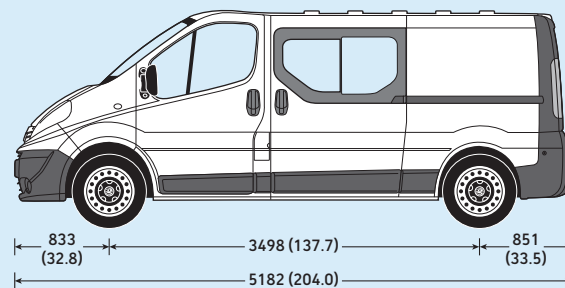
Doublecab



SWB

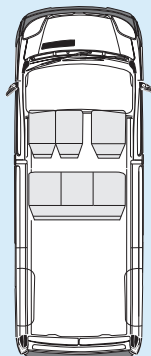
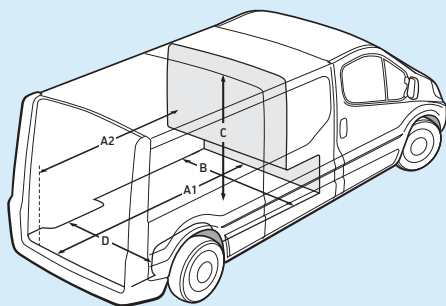


LWB



Measurements are shown in millimetres (inches). All heights are shown unladen.

Doublecab



Interior dimensions mm (inches)

	SWB	LWB
Loadspace		
A1 Maximum length at load floor	1900 (74.8)	2300 (90.5)
A2 Maximum length behind rear seats	1400 (55.1)	1800 (70.9)
B Maximum width	1663 (65.5)	1663 (65.5)
C Maximum height	1387 (54.6)	1387 (54.6)
D Width between wheel arches	1268 (49.9)	1268 (49.9)
Side doors		
Aperture height	1285 (50.6)	1285 (50.6)
Aperture width	1000 (39.4)	1000 (39.4)
Rear doors		
Aperture height – standard roof	1320 (52.0)	1320 (52.0)
Aperture width (at floor)	1390 (54.7)	1390 (54.7)
Loading height – standard roof	549 (21.6)	542 (21.3)

Loadspace volumes cu.m (cu.ft.)

SAE method	SWB	LWB
Standard roof	3.3 (116)	4.2 (148)

Weights and towing data

	Trans- mission	UK plated weights and kerbweights kg						Payload kg	Plated Gross Combination Weights (GCW) kg
		Front axle		Rear axle		Total GVW	Total Kerb		
		Plated	Kerb	Plated	Kerb				
SWB doublecab models									
2900 2.0CDTI 16v (90PS/115PS)	manual	1580	1161	1650	643	2935	1804	1131	4935
2900 2.0CDTI 16v (115PS)	Tecshift	1580	1173	1650	643	2945	1816	1129	4945
2900 2.5CDTI 16v (146PS)	manual	1580	1212	1650	640	2985	1852	1133	4985
2900 2.5CDTI 16v (146PS)	Tecshift	1580	1224	1650	641	2995	1865	1130	4995
2900 2.0CDTI 16v (115PS) Sportive	manual	1580	1187	1650	654	2935	1841	1094	4935
2900 2.0CDTI 16v (115PS) Sportive	Tecshift	1580	1199	1650	654	2945	1853	1092	4945
2900 2.5CDTI 16v (146PS) Sportive	manual	1580	1238	1650	651	2985	1889	1096	4985
2900 2.5CDTI 16v (146PS) Sportive	Tecshift	1580	1250	1650	652	2995	1902	1093	4995
LWB doublecab models									
2900 2.0CDTI 16v (90PS/115PS)	manual	1580	1195	1650	645	2960	1840	1120	4960
2900 2.0CDTI 16v (115PS)	Tecshift	1580	1207	1650	645	2930	1852	1078	4930
2900 2.5CDTI 16v (146PS)	manual	1620	1245	1650	642	3035	1887	1148	5035
2900 2.5CDTI 16v (146PS)	Tecshift	1620	1257	1650	643	3005	1900	1105	5005
2900 2.0CDTI 16v (115PS) Sportive	manual	1580	1221	1650	656	2960	1877	1083	4960
2900 2.0CDTI 16v (115PS) Sportive	Tecshift	1580	1233	1650	656	2930	1889	1041	4930
2900 2.5CDTI 16v (146PS) Sportive	manual	1620	1271	1650	653	3035	1924	1111	5035
2900 2.5CDTI 16v (146PS) Sportive	Tecshift	1620	1283	1650	654	3005	1937	1068	5005

Note: Kerbweights for standard vehicles include coolant, oil, 90% full fuel tank and spare wheel. They will vary according to the vehicle specification (including options and accessories) with a corresponding variation in payload. **Payload** figures do not allow for the weight of the driver, or any passengers, which should therefore be deducted from the figures shown and are also subject to correct weight distribution. **Gross plated weights** (including axle weights) quoted on the vehicle plate must never be exceeded. **Roof load** maximum 200kg (includes weight of roof carrier) when Vauxhall approved carrier system used. **Towing weights** should not exceed 750kg (unbraked trailer) or 2000kg (braked trailer).

Trust Vauxhall

Protecting the environment

Vauxhall's commitment to the environment is demonstrated by our products' many environmental awards, won both through the use of more recycled materials and by becoming cleaner and more efficient. For information on Vauxhall's efforts to achieve an environmentally sustainable future, see www.vauxhall.co.uk/recycling

Fleet Customer Services

Our dedicated support services for fleet managers includes factory demonstrators and information on whole life costs, company car and van taxation and finance. For further information please call **0870 010 0651**.

Vauxhall Extended Warranty

For complete peace of mind Vauxhall offers an extended warranty that can be purchased on an annual basis following the expiry of the original new vehicle warranty. It covers most mechanical and electrical components. Terms and conditions apply, for further details please contact your local Vauxhall Commercial Vehicle retailer.

Business Lease

Business Lease, from GMAC, offers the versatility of a purchase-based finance plan, while making the most efficient use of tax and cash-flow benefits for VAT-registered business users. It's available for all Vauxhall Commercial Vehicles up to 12 months old and offers highly flexible term lengths, variable deposits and a choice of payment profiles. Ask your retailer for full details.

Business First

Available to business users only, Business First enables you to drive a new vehicle without a large, initial financial outlay. You pay to use the vehicle, not to own it. The vehicle is provided over a predetermined period, and when that period comes to an end the vehicle is returned. Ask your retailer for full details.

Servicing and maintenance

The best way to maximise the performance and reliability of your Vauxhall is to have all routine servicing and maintenance carried out at a Vauxhall Commercial Vehicle retailer. There are over 200 light commercial vehicle and 120 heavy commercial vehicle retailers nationwide.

In the event of an accident...

Vauxhall Accident Support helps keep you mobile following an accident. Benefits include scene-of-accident advice, message service, assistance with claims and vehicle recovery. For further details call **0800 010 304**.

Premier Service Centres

Our Premier Service Centres feature a guaranteed same day repair service (provided the parts are in stock) and an appointment-free service for diagnosis and repairs taking less than 90 minutes. All repairs are carried out within 24 hours of the diagnosis.

For more information...

For a brochure on any Vauxhall model (up to a maximum of three per caller) or location of your nearest retailer, call **0845 600 1500**.

Alternatively, details can be found on our website at: www.vauxhall.co.uk/vans



When you have finished with this brochure please recycle it



- Save up to **£1000*** on a new Vauxhall with The GM Card
- 100 Rebate Points worth **£100** when you use The GM Card for the first time
- Rebate Point saving is on top of any discount or offer negotiated with the Retailer
- Earn 3 Rebate Points (**£3**) for every **£100** you spend

Typical 14.9% APR variable

To apply call **0845 746 2777** or visit www.gmcard.co.uk

The GM Card is issued by HFC Bank Limited and is available to persons aged 18 years or over and resident in the UK (or 21 and over in the Channel Islands) and is subject to status and conditions. Written quotations are available upon request from The GM Card, PO Box 3615, Birmingham B3 2RJ. The typical APR quoted is the rate for new customers. Rebate Points are earned on purchases using The GM Card. Rebate Points are not earned on Balance Transfers or Cash Advances. You earn money off a new Vauxhall/Saab by accumulating Rebate Points under the Rebate Points Programme. General Motors UK Limited is solely responsible for the operation of the Rebate Points Programme, which is subject to the Rebate Points Programme Rules. *You can redeem up to 2500 Rebate Points subject to the Model Line Maximum which will vary in amount in relation to different Vauxhall/Saab vehicle model lines and unlimited Partner Points. Rebate Points and unlimited Partner Points are redeemable as discounts on a new Vauxhall/Saab vehicle and must be redeemed four years from the issue date. Rebate Points may not be redeemed by Motability Contract Hire customers. The GM Card is a trading name and style of both HFC Bank Limited and General Motors UK Limited. HFC Bank registered in England No. 1117305. Registered Office: North Street, Winkfield, Windsor, Berkshire SL4 4TD is authorised and regulated by the Financial Services Authority. **Member HSBC** Group. HFC Bank Limited is not a member of the same group of companies as General Motors UK Limited, Saab GB Limited or GMAC UK plc. General Motors UK Limited, Registered Office: Griffin House, Osborne Road, Luton, Bedfordshire LU1 3YT. Registered in England number 135767. - CN6/0987.

Every effort has been made to ensure that the contents of this publication were accurate and up-to-date at the time of going to press (August 2009). Vauxhall vehicles are equipped with components manufactured by various General Motors operating units and outside suppliers. The Company reserves the right to alter specifications and withdraw products from sale without notice. Any such alterations will be notified to Vauxhall retailers at the earliest opportunity, please consult your local retailer for the latest information. The specifications detailed within this brochure are not necessarily applicable to alternative models such as Special Editions. Details of any such models will be contained in specific literature or found on the Vauxhall website. Please note that Vauxhall retailers are not the agents of General Motors UK Limited and are not authorised to bind the Company by any specific or implied undertaking or representation. It is advisable to ensure that your motor insurance policy provides adequate cover for additional fitted options and accessories. Please note accessories shown are for illustrative purposes only. As part of Vauxhall's policy of environmental care, this brochure is printed on paper manufactured using Elemental Chlorine Free pulps from specially farmed, sustainable timber resources. All rights reserved. No part of this publication may be reproduced in any form or by any means, without the prior written permission of General Motors UK Limited.

VM0908498

©General Motors UK Limited 2009

Published September 2009 (BMB/Graymatter)

General Motors UK Limited, Luton LU1 3YT

COMMERCIAL VEHICLES
The Wheels of Business



VAUXHALL