

# Trust Vauxhall

## Protecting the environment

Vauxhall's commitment to the environment is demonstrated by our products' many environmental awards, won both through the use of more recycled materials and by becoming cleaner and more efficient. For information on Vauxhall's efforts to achieve an environmentally sustainable future, see [www.vauxhall.co.uk/recycling](http://www.vauxhall.co.uk/recycling)

## Fleet Customer Services

Our dedicated support services for fleet managers includes factory demonstrators and information on whole life costs, company car and van taxation and finance. For further information please call **0870 010 0651**.

## Sureguard protection

Sureguard Assistance offers the benefits of Vauxhall Assistance for three years from first registration, while Sureguard Warranty also provides a parts and labour warranty for high-mileage or long-term owners. For details contact your local Vauxhall retailer or call **0870 752 7020**.

## Business Lease

Business Lease, from GMAC, offers the versatility of a purchase-based finance plan, while making the most efficient use of tax and cash-flow benefits for VAT-registered business users. It's available for all Vauxhall Commercial Vehicles up to 12 months old and offers highly flexible term lengths, variable deposits and a choice of payment profiles. Ask your retailer for full details.

## Business First

Available to business users only, Business First enables you to drive a new vehicle without a large, initial financial outlay. You pay to use the vehicle, not to own it. The vehicle is provided over a predetermined period, and when that period comes to an end the vehicle is returned. Ask your Retailer for full details.

## Servicing and maintenance

The best way to maximise the performance and reliability of your Vauxhall is to have all routine servicing and maintenance carried out at a Vauxhall Commercial Vehicle retailer. There are over 200 light commercial vehicle and 120 heavy commercial vehicle retailers nationwide.

## In the event of an accident...

Vauxhall Accident Support helps keep you mobile following an accident. Benefits include scene-of-accident advice, message service, assistance with claims and vehicle recovery. Call **0800 010 304** for a free driver's pack.

## Premier Service Centres

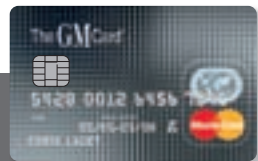
Our Premier Service Centres feature extended opening hours, a guaranteed same day repair service (provided the parts are in stock) and an appointment-free service for diagnosis and repairs taking less than 90 minutes. All repairs are carried out within 24 hours of diagnosis, while suitable alternative transport can be arranged to keep you mobile.\*

\*= Terms and conditions apply.

## For more information...

For a brochure on any Vauxhall model (up to a maximum of three per caller) or location of your nearest retailer, call **0845 600 1500**.

Alternatively, details can be found on our website at: [www.vauxhall.co.uk](http://www.vauxhall.co.uk)



- Save up to £1000\* on a new Vauxhall with The GM Card

- 100 Rebate Points worth £100 when you use The GM Card for the first time

- Rebate Point saving is on top of any discount or offer negotiated with the Retailer

- Earn 3 Rebate Points (£3) for every £100 you spend

## Typical 14.9% APR variable

To apply call **0845 746 2777** or visit [www.gmcard.co.uk](http://www.gmcard.co.uk).

The GM Platinum Card is issued by HFC Bank Limited and is available to persons aged 18 years or over and resident in the UK (or 21 and over in the Channel Islands) and is subject to status and conditions. Written quotations are available upon request from The GM Platinum Card, PO Box 3615, Birmingham B3 2RJ. The typical APR quoted is the rate for new customers. \*Rebate Points are earned on purchases using The GM Platinum Card. Rebate Points are not earned on Balance Transfers or Cash Advances. You earn money off a new Vauxhall/Saab by accumulating Rebate Points under the Rebate Points Programme. Vauxhall Motors Ltd is solely responsible for the operation of the Rebate Points Programme, which is subject to the Rebate Points Programme Rules. You can redeem up to 2500 Rebate Points subject to the Model Line Maximum which will vary in amount in relation to different Vauxhall/Saab vehicle model lines and unlimited Partner Points. Rebate Points and unlimited Partner Points are redeemable as discounts on a new Vauxhall/Saab vehicle and must be redeemed four years from the issue date. Rebate Points may not be redeemed by Motability Contract Hire customers. The GM Card is a trading name and style of both HFC Bank Limited and Vauxhall Motors Ltd. HFC Bank registered in England No. 1117305. Registered Office: North Street, Winkfield, Windsor, Berkshire SL4 4TD is authorised and regulated by the Financial Services Authority. Member HSBC Group. HFC Bank Limited is not a member of the same group of companies as Vauxhall Motors Ltd, Saab GB Limited or GMAC (UK) plc. Vauxhall Motors Ltd, Registered Office: Griffin House, Osborne Road, Luton, Bedfordshire LU1 3YT. Registered in England number 135767. - CN6/0987.

Every effort has been made to ensure that the contents of this publication were accurate and up-to-date at the time of going to press (August 2007). Vauxhall vehicles are equipped with components manufactured by various General Motors operating units and outside suppliers. The Company reserves the right to alter specifications and withdraw products from sale without notice. Any such alterations will be notified to Vauxhall retailers at the earliest opportunity, please consult your local retailer for the latest information. The specifications detailed within this brochure are not necessarily applicable to alternative models such as Special Editions. Details of any such models will be contained in specific literature or found on the Vauxhall website. Please note that Vauxhall retailers are not the agents of Vauxhall Motors Limited and are not authorised to bind the Company by any specific or implied undertaking or representation. It is advisable to ensure that your motor insurance policy provides adequate cover for additional fitted options and accessories. As part of Vauxhall's policy of environmental care, this brochure is printed on paper manufactured using Elemental Chlorine Free pulps from specially farmed, sustainable timber resources. All rights reserved. No part of this publication may be reproduced in any form or by any means, without the prior written permission of Vauxhall Motors Limited.

VM0707306 Published August 2007 (BMB/Graymatter) Vauxhall Motors Limited, Luton LU1 3YT



The Wheels of Business

# Movano

2008 Edition 1

## Local Authority Tipper Conversions





## MWB TIPPER AND BIN LIFT

The vehicle of choice for local authorities who find conventional refuse collection vehicles have difficulty navigating narrow urban streets, the Movano Tipper and Bin Lift features all-steel mig-welded body construction, with a Dustmaster refuse hood and side-mounted wheelie bin lift. The heavy-duty tipper mechanism makes for optimum ease of unloading, while payload is a generous 755kg and total load volume an equally impressive 8.54cu.m.

VAUXHALL  
RECOGNISED  
CONVERSION



▲ **Lockable storage locker** provides secure stowage for brushes, gloves and other essential equipment used by the municipal services. The locker is conveniently situated behind the main cab area and can be accessed from either side of the vehicle for maximum ease of use.

▶ **Side bin lift** allows rubbish to be tipped into the vehicle with the minimum of effort. Operated by controls situated on the side of the vehicle, above the locker door, the lift features an emergency cut-off switch. Lockable side doors provide an additional means of access.



◀ **The tipping mechanism** features a high performance electro-hydraulic power pack with visible oil level plastic tank and weather protected motor and electrics. The tipping action can be easily operated by one person using hand-held controls on a wander lead, complete with harness and magnetic base, located on the driver's side of the cab. A warning bleeper sounds when the tipper is raised.



▶ **Optional wash unit** provides easy access to washing facilities, allowing strict observance of Health and Safety regulations. The unit is available at extra cost on both the Tipper and Bin Lift and Tipper and Cage models.





## LWB CREW CAB TIPPER AND CAGE

Ideal for specialist municipal recycling, arboricultural and forestry applications, the Movano LWB Crew Cab Tipper and Cage combines a maximum payload of up to 1058kg and a load volume of 10.04cu.m. Featuring all steel mig-welded body construction with a built-in tool box and mesh cage, the Crew Cab format allows up to seven occupants (including the driver) to be carried conveniently and comfortably. Chassis Cab models (carrying up to three occupants) are also available.

VAUXHALL  
RECOGNISED  
CONVERSION



Movano Chassis and Crew Cabs form the ideal platform for specialist bodybuilder conversions. The long wheelbase Movano Crew Cab Tipper and Cage is the perfect example, providing a tough 2880mm long tipper body plus interior space for up to seven occupants (three occupants on Chassis Cab models). With its chromed under-floor scissor action hydraulic ram and lightweight mesh cage, the Crew Cab Tipper and Cage is tailor-made for municipal green waste collections – its roofless design enabling recyclable bags of leaves and other material to be deposited with ease. Again featuring a lockable side storage locker – to keep valuable tools and equipment away from prying eyes – it is also ideal for forestry bodies, park commissions, Councils and other organisations requiring ease of waste collection and simplicity of emptying at the end of the working day.



3-year/100,000 mile warranty on base vehicle



Engine deadlock immobiliser



Power-assisted steering



100-litre fuel tank



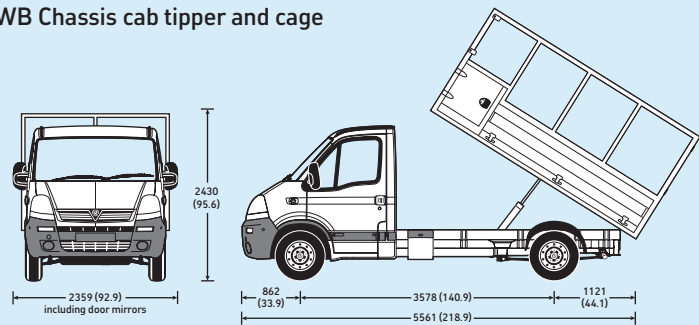
Anti-lock braking system



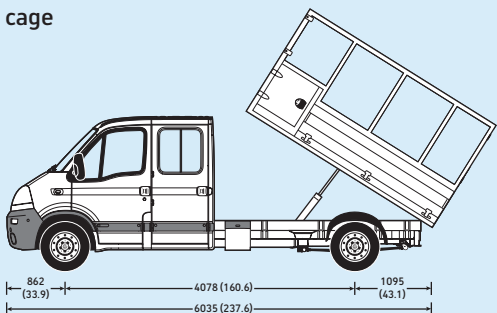
Driver's airbag

## Exterior dimensions

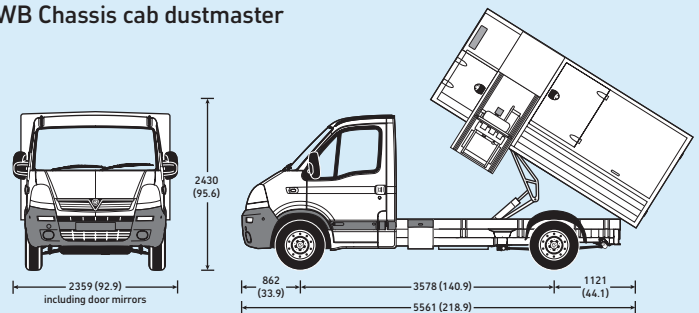
### MWB Chassis cab tipper and cage



### LWB Crew cab tipper and cage



### MWB Chassis cab dustmaster



Measurements are shown in millimetres (inches).

## Standard feature highlights

- Driver's airbag
- Anti-lock Braking System (ABS) with Electronic Brakeforce Distribution (EBD)
- Emergency Brake Assist (EBA)
- Front door side-impact protection beams
- Height-adjustable padded front head restraints
- Inertia-reel lap and diagonal seatbelts (centre rear lap belts – crew cab)
- Driver's pyrotechnic body-lock seatbelt pretensioner
- Height-adjustable outer front seatbelts
- Electronic engine deadlock immobiliser
- Dual front passengers' bench seat
- Four passenger rear bench seat with underseat storage facility – crew cab
- Stereo radio/CD player
- Six-speed manual transmission

Full specification, option and colour availability details of the Movano range appear in the Movano brochure available from your Vauxhall retailer or Lo-call 0845 600 1500

## Optional feature highlights (at extra cost)

- Passengers' twin airbag
- Air conditioning
- Tecshift six-speed transmission
- Satellite navigation system

## Load area dimensions mm

	MWB Chassis cab tipper/cage	LWB Crew cab tipper/cage	MWB Chassis cab dustmaster
Internal length	3354*	3050	3354
Internal width	2032*	2032	1960
Internal height	1850	1850	1300
Body side height (composite/steel)	400/355	400/355	400/355
Load bed area (sq.m)	6.81	6.20	6.57
Load volume (cu.m)	11.04	10.04	8.54

\* = Estimated

## Typical conversion features include:

### All models

- High performance electro hydraulic power pack with visible oil level plastic tank and weather protected motor and electrics
- Hand held controls on wander lead with harness and magnetic base
- Heavy-duty, fully under-sealed box section sub and tipping frames
- All pivot points fitted with grease nipples for long wear and ease of maintenance
- Thermo plastic mud wings

### Tipper and cage

- Lightweight aluminium removable tailgate and dropsides (steel variant also available)
- Steel mesh sides to cab roof height
- Rear mesh barn doors - lockable in open position
- Lockable storage locker, accessible from both sides
- Side access steps
- Tipmaster chromed under-floor heavy-duty tipping arm

## Dustmaster tipper and bin lift

- Dustmaster hood with lockable access door to each side
- Rear barn doors - lockable in open position
- Lockable storage locker, accessible from both sides
- Side wheelie bin lift/lift-out roof panel
- Tipmaster chromed under-floor scissor action hydraulic ram

## Conversion options (at extra cost)

- Amber beacons/light bars/working lights
- Towing equipment
- Wash units
- Warning and reverse beepers
- Ply lining
- Winches
- Ramps
- Rear light guards
- Tool boxes
- Chevrons
- Body props

## Vauxhall Assistance and warranties\*

Every Movano base vehicle comes with:

- A one-year unlimited mileage manufacturer's warranty
- Second and third year no-fee customer option warranty up to 100,000 miles from date of first registration
- Vauxhall Assistance for 12 months from date of first registration
- Six-year body panel anti-perforation warranty

\* = Warranty is only available on vehicles sourced from Vauxhall Motors Ltd. Terms and conditions apply - please see your Vauxhall retailer for details.

## Engines Euro 4 compliant

	2.5CDTI 16v (100PS)	2.5CDTI 16v (120PS)	2.5CDTI 16v (146PS)
Fuel type	Diesel	Diesel	Diesel
Capacity	2464cc	2464cc	2464cc
Maximum power	100PS (74kW) @ 3500rpm	120PS (88kW) @ 3500rpm	146PS (107kW) @ 3500rpm
Maximum torque	260Nm (192 lb.ft.) @ 1600rpm	300Nm (221 lb.ft.) @ 1600rpm	320Nm (236 lb.ft.) @ 1500rpm
Layout	4 cylinders, 4 valves per cylinder, double overhead camshafts		
Induction system	Turbocharger and intercooler. Common rail fuel injection		
Service interval	18,000 miles or one year (whichever occurs sooner)		

## Weights\*\* kg

	UK plated weights and kerbweights					Plated Gross Combination Weight (GCW)
	Front axle	Rear axle	GVW Total	Kerb	Payload	
<b>MWB Chassis cab tipper and cage</b>						
3500 2.5CDTI 16v (100PS/120PS)	1850	2060	3500	2262	1238	5500
3500 2.5CDTI 16v (146PS)	1850	2060	3500	2276	1224	5500
<b>LWB Crew cab tipper and cage</b>						
3500 2.5CDTI 16v (100PS/120PS)	1850	2060	3500	2442	1058	5500
3500 2.5CDTI 16v (146PS)	1850	2060	3500	2456	1044	5500
<b>MWB Chassis cab dustmaster</b>						
3500 2.5CDTI 16v (100PS/120PS)	1850	2060	3500	2745	755	5500
3500 2.5CDTI 16v (146PS)	1850	2060	3500	2759	741	5500

\*\*Please note: Typical examples shown above. **Kerbweights** include conversion body weight, oil, 90% full fuel tank and spare wheel. Weights shown are estimated and will vary according to the vehicle specification (including options and accessories) with a corresponding variation in payload. **Payload** figures do not allow for the weight of the driver, or any passengers, which should therefore be deducted from the figures shown. **Gross plated weights** (including axle weights) quoted on the vehicle plate must never be exceeded. **Towing weights** should not exceed 750kg (unbraked trailer) or 2000kg (braked trailer).

## Vauxhall recognised conversions

These conversions have been fully tested to ensure they meet the exacting technical standards required by Vauxhall Motors Limited.

## Please note

Typical conversion examples shown. Conversions on other model variants are available please consult the convertor. Full specification, option and colour availability details of the Movano range appear in the Movano brochure available from your Vauxhall retailer or Lo-call 0845 600 1500

## Convertor contact details

For conversion pricing, option and warranty details contact: Tipmaster Ltd, Rigg Approach, Lea Bridge Road, Leyton, London E10 7QN. Tel: 020 8539 0611 Fax: 020 8539 9462 E-mail: Sales@tipmaster.co.uk Destination code: GB3229

